



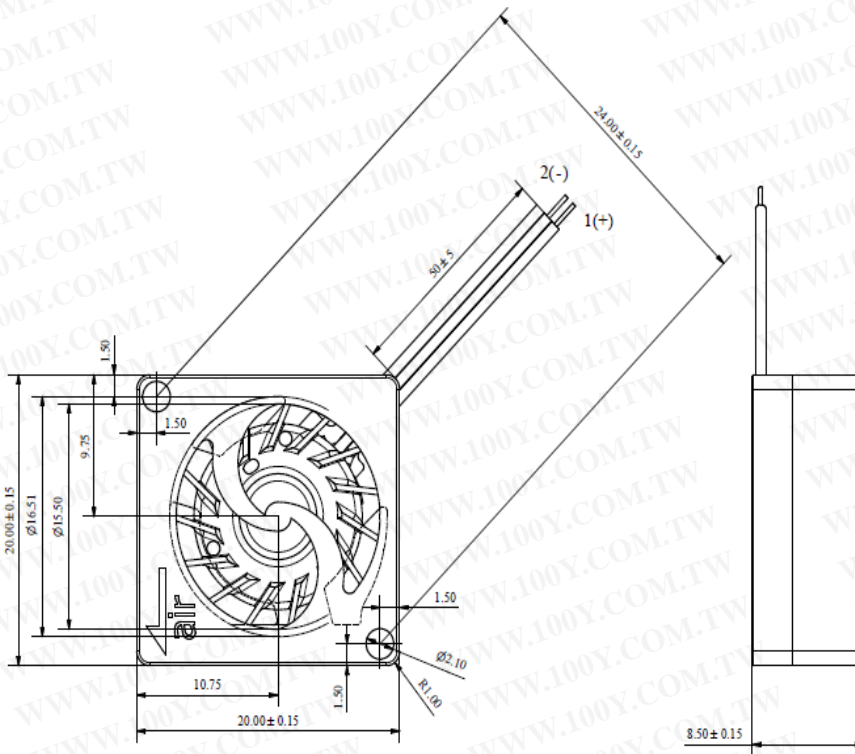
勝特力材料 886-3-5753170
勝特力电子(上海) 86-21-34970699
勝特力电子(深圳) 86-755-83298787
Http://www.100y.com.tw

一、產品圖面/尺寸 (Drawings and Dimensions)

尺寸 DIMENSIONS (單位 UNIT : mm)



ROTATION DIRECTION: COUNTER-CLOCKWISE



▼ Air Flow

NOTE
WIRE:UL1571 AWG#30
LINE1:RED WIRE----- (+)
LINE2:BLACK WIRE---- (-)



9001 : 2015

二、產品規格/特性 (Specification and Features)

規格 SPECIFICATIONS

型號 Model Number	RFB2008N	
品名 Product Name	微側流扇 Micro Blower	
額定電壓 Rated Voltage (VDC)	3.3	5.0
運轉電壓 Operating Voltage (VDC)	2.8 ~ 3.6	4.5 ~ 5.5
額定電流 Rated Current (mA)	85 (max:100)	125 (max:140)
轉速 Rotation Speed (RPM)	10,000 ± 15%	14,000 ± 15%
風量 Air Flow (CFM)	0.63	0.89
靜壓 Static Pressure (mmAq)	3.35	6.92
噪音 Noise (dB(A)) at 1m	21.8	31.1
絕緣強度 Insulation Resistance	10MEGA. Ω Min. at 500VDC (between frame and (+) terminal)	
耐壓強度 Dielectric Strength	5mA Max. at 500VAC、60Hz、One Minute (between frame and (+) terminal)	
壽命 Life Expectancy (hours)	25,000 at 45°C	
認證 Compliance	CE、RoHS	
耐水耐塵 IP Rating	IP58	
重量 Weight (g)	2.9	
保護 Protection	<input checked="" type="checkbox"/> 鎖住保護 Lock rotor <input checked="" type="checkbox"/> 自動重啟 Auto Restart <input checked="" type="checkbox"/> 極性保護 Polarity	

*規格視實際情況更動不作另行通知。Specifications subject to changes without notice.

**運作環境溫度 Operating Temperature : -10°C ~ +60°C

***儲存溫度 Storage Temperature : -20°C ~ +70°C

風量—靜壓圖 PERFORMANCE CURVE

