

- Item No.: 120x120x38
- Product Name: AC Steel Fan

勝特力材料 886-3-5753170
勝特力电子(上海) 86-21-34970699
勝特力电子(深圳) 86-755-83298787
[Http://www.100y.com.tw](http://www.100y.com.tw)

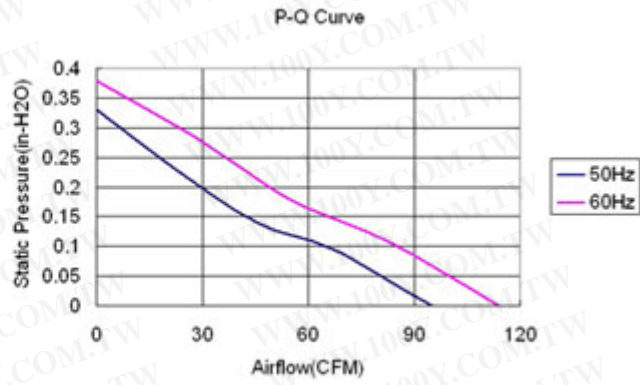
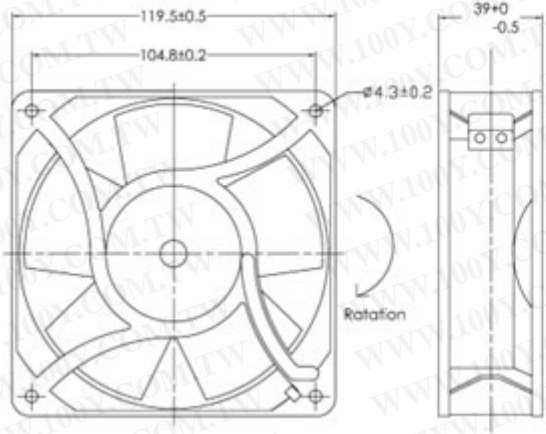


Description

1. Frame: Die cast aluminum
2. Lmpeller: Steel
3. Ambient Temperature Range: $-10^{\circ}\text{C} \sim +70^{\circ}\text{C}$
4. Operating Voltage Range: Rated Voltage $\pm 10\%$
5. Bearing: Ball
6. Motor Structure: AC External rotor capacitor Motor
7. Motor Protection: Impedance Protected
8. Termination: Terminals or Lead wire $310 \pm 15\text{mm}$
9. Packing: 534g/pcs, 40pcs/CTN

Features

1. It is suitable for particular environment, ex: UV light, high temperature...etc.
2. Low current
3. High airflow



Specification

Model	Safety Std.	Voltage (V)	Freq. (Hz)	Current (A)	Power (W)	Speed (RPM)	Air Flow (CFM)	Pressure (in-H2O)	Noise (dB)
P1123HST-ES	UL,	115	50/60	0.13/0.11	12.5/11	2750/3250	105/123	0.28/0.35	47/49
P1123HSL-ES	UL,	115	50/60	0.13/0.11	12.5/11	2750/3250	105/123	0.28/0.35	47/49
P1123HBT-ES	UL,	115	50/60	0.13/0.11	12.5/11	2750/3250	105/123	0.28/0.35	47/49
P1123HBL-ES	UL,	115	50/60	0.13/0.11	12.5/11	2750/3250	105/123	0.28/0.35	47/49
P2123HST-ES	UL,TUV,CE	230	50/60	0.06/0.06	12.5/11.5	2650/3150	103/120	0.28/0.35	47/49
P2123HSL-ES	UL,TUV,CE	230	50/60	0.06/0.06	12.5/11.5	2650/3150	103/120	0.28/0.35	47/49
P2123HBT-ES	UL,TUV,CE	230	50/60	0.06/0.06	12.5/11.5	2650/3150	103/120	0.28/0.35	47/49
P2123HBL-ES	UL,TUV,CE	230	50/60	0.06/0.06	12.5/11.5	2650/3150	103/120	0.28/0.35	47/49

勝特力材料 886-3-5753170
 勝特力电子(上海) 86-21-34970699
 勝特力电子(深圳) 86-755-83298787
[Http://www.100y.com.tw](http://www.100y.com.tw)