

172x150X51 mm (6.77x6X2 in)



Frame: Die cast aluminum

Impeller: Steel

Ambient Temperature Range: -10°C ~ +70°C

Operating Voltage Range: Rated Voltage ±10%

Bearing: Ball

Motor Structure: AC induction capacitor motor

Motor protection: Thermal or Impedance Protected

Termination: Terminals or Lead wire 280±15mm

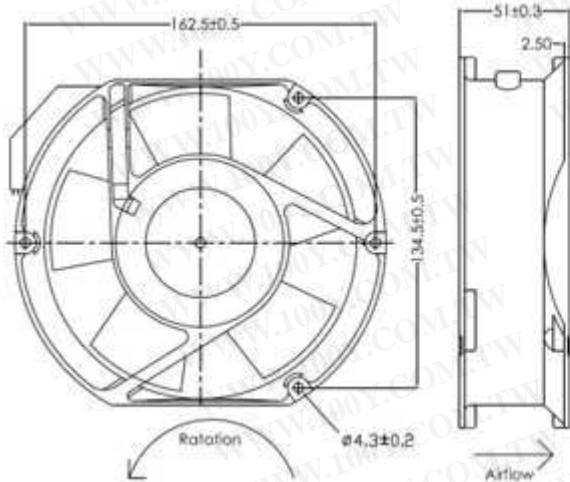
Package: 930g / PC, 12PCS / CTN



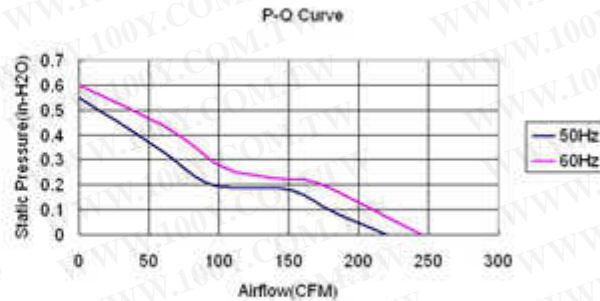
Advantage

1. External rotor motor
2. Steel blade
4. Motor can design three-phase and 4-pole type

Dimension (units: mm)



Characteristic Curves



AC Axial Fan

SPECIFICATION

勝特力材料 886-3-5753170
 勝特力电子(上海) 86-21-34970699
 勝特力电子(深圳) 86-755-83298787
[Http://www.100y.com.tw](http://www.100y.com.tw)

| Model | Safety Std. | Voltage (V) | Freq. (Hz) | Current (A) | Power (W) | Speed (RPM) | Air Flow (CFM) | Pressure (in-H2O) | Noise (dB) |
|--------------|-------------|-------------|------------|-------------|-----------|-------------|----------------|-------------------|------------|
| P1175HBT-ETS | UL | 115 | 50/60 | 0.23/0.22 | 21/23 | 2750/3150 | 220/245 | 0.55/0.6 | 55/59 |
| P1175HBL-ETS | UL | 115 | 50/60 | 0.23/0.22 | 21/23 | 2750/3150 | 220/245 | 0.55/0.6 | 55/59 |
| P2175HBT-ETS | UL,TUV | 230 | 50/60 | 0.12/0.12 | 21/23 | 2750/3150 | 220/245 | 0.55/0.6 | 55/59 |
| P2175HBL-ETS | UL,TUV | 230 | 50/60 | 0.12/0.12 | 21/23 | 2750/3150 | 220/245 | 0.55/0.6 | 55/59 |