



## Specifications

MODEL	Rated Voltage	Frequency	Starting Voltage	Current	Input Power	Speed	Max. Air Flow		Max. Static Pressure		Noise	Mass
	(V)	(Hz)	(V)	(A) <sup>1</sup>	(W) <sup>+10% -20%</sup>	(min <sup>-1</sup> ) <sup>3</sup>	CFM	(m <sup>3</sup> /min) <sup>3</sup>	in H <sub>2</sub> O	(Pa) <sup>3</sup>	(dB) <sup>2</sup>	(g)
** 5915PC-10T-B30-B00	100	50	65	0.470	37.0	2700	176.5	5.00	.629	156.8	52.0	800
	100	60	65	0.440	33.0	3200	212.0	6.00	.865	215.6	56.0	800
5915PC-12T-B30-A00	115	50	75	0.380	35.0	2700	176.5	5.00	.629	156.8	52.0	800
	115	60	75	0.360	32.0	3200	212.0	6.00	.865	215.6	56.0	800
** 5915PC-20T-B30-B00	200	50	130	0.236	34.0	2700	176.5	5.00	.629	156.8	52.0	800
	200	60	130	0.210	33.0	3200	212.0	6.00	.865	215.6	56.0	800
** 5915PC-22T-B30-B00	220	50	145	0.210	40.0	2700	176.5	5.00	.629	156.8	52.0	800
	220	60	145	0.180	38.0	3200	212.0	6.00	.865	215.6	56.0	800
5915PC-23T-B30-A00	230	50	145	0.180	35.0	2700	176.5	5.00	.629	156.8	52.0	800
	230	60	145	0.190	35.0	3200	212.0	6.00	.865	215.6	56.0	800
** 5915PC-24T-B30-A00	240	50	155	0.180	34.0	2700	176.5	5.00	.629	156.8	52.0	800
	240	60	155	0.170	34.0	3200	212.0	6.00	.865	215.6	56.0	800
** 5915PC-10T-B20-B00	100	50	65	0.250	22.0	2200	141.2	4.00	.393	98.0	46.0	800
	100	60	65	0.230	23.0	2600	166.0	4.70	.472	117.6	50.0	800
5915PC-12T-B20-A00	115	50	75	0.200	21.0	2200	141.2	4.00	.393	98.0	46.0	800
	115	60	75	0.210	22.0	2600	166.0	4.70	.472	117.6	50.0	800
** 5915PC-20T-B20-B00	200	50	130	0.120	22.0	2200	141.2	4.00	.393	98.0	46.0	800
	200	60	130	0.140	23.0	2600	166.0	4.70	.472	117.6	50.0	800
** 5915PC-22T-B20-B00	220	50	145	0.110	23.0	2200	141.2	4.00	.393	98.0	46.0	800
	220	60	145	0.130	26.0	2600	166.0	4.70	.472	117.6	50.0	800
5915PC-23T-B20-A00	230	50	145	0.120	23.0	2200	141.2	4.00	.393	98.0	46.0	800
	230	60	145	0.140	26.0	2600	166.0	4.70	.472	117.6	50.0	800
** 5915PC-24T-B20-A00	240	50	145	0.100	22.0	2200	141.2	4.00	.393	98.0	46.0	800
	240	60	145	0.110	26.0	2600	166.0	4.70	.472	117.6	50.0	800
** 5915PC-10T-B10-B00	100	50	65	0.170	16.0	1400	84.7	2.40	.173	43.1	35.0	800
	100	60	65	0.020	18.0	1650	102.3	2.90	.243	60.7	38.0	800
5915PC-12T-B10-A00	115	50	75	0.160	16.0	1400	84.7	2.40	.173	43.1	35.0	800
	115	60	75	0.190	18.0	1650	102.3	2.90	.243	60.7	38.0	800
** 5915PC-20T-B10-B00	200	50	130	0.110	16.0	1400	84.7	2.40	.169	42.1	35.0	800
	200	60	130	0.130	18.0	1650	102.3	2.90	.243	60.7	38.0	800
** 5915PC-22T-B10-B00	220	50	130	0.100	16.0	1400	84.7	2.40	.169	42.1	35.0	800
	220	60	130	0.120	18.0	1650	102.3	2.90	.243	60.7	38.0	800
5915PC-23T-B10-A00	230	50	145	0.090	16.0	1400	84.7	2.40	.169	43.1	35.0	800
	230	60	145	0.110	18.0	1650	102.3	2.90	.243	60.7	38.0	800
** 5915PC-24T-B10-A00	240	50	145	0.090	16.0	1400	84.7	2.40	.169	42.1	35.0	800
	240	60	145	0.110	18.0	1650	102.3	2.90	.243	60.7	38.0	800

Rotation: Counterclockwise

Airflow Outlet: Air Out Over Struts

\*1: Maximum Values in Free Air

\*\* Contact NMB for Availability

\*2: Average Values in Free Air

\*3: Minimum Values in Free Air

**勝特力材料 886-3-5753170**  
**勝特力电子(上海) 86-21-34970699**  
**勝特力电子(深圳) 86-755-83298787**  
[Http://www.100y.com.tw](http://www.100y.com.tw)

CUSTOMER Xin Wei International Trading Co., Ltd.

PARTS NAME AC FAN MOTOR

MODEL 5915PC-23T-B30-A00

PROPOSED DRAWING FOR APPROVAL

REF NO. 05-0943

DATE 2005/8/1

TOTAL 2 Pages

SIGNATURE

PLEASE RETURN 1 COPY OF THIS PROPOSED DRAWING WITH YOUR SIGNATURE.

Minebea-Matsushita Motor Corporation

APD. BY

CHC. BY

DET. BY

*H. Nakagawa*

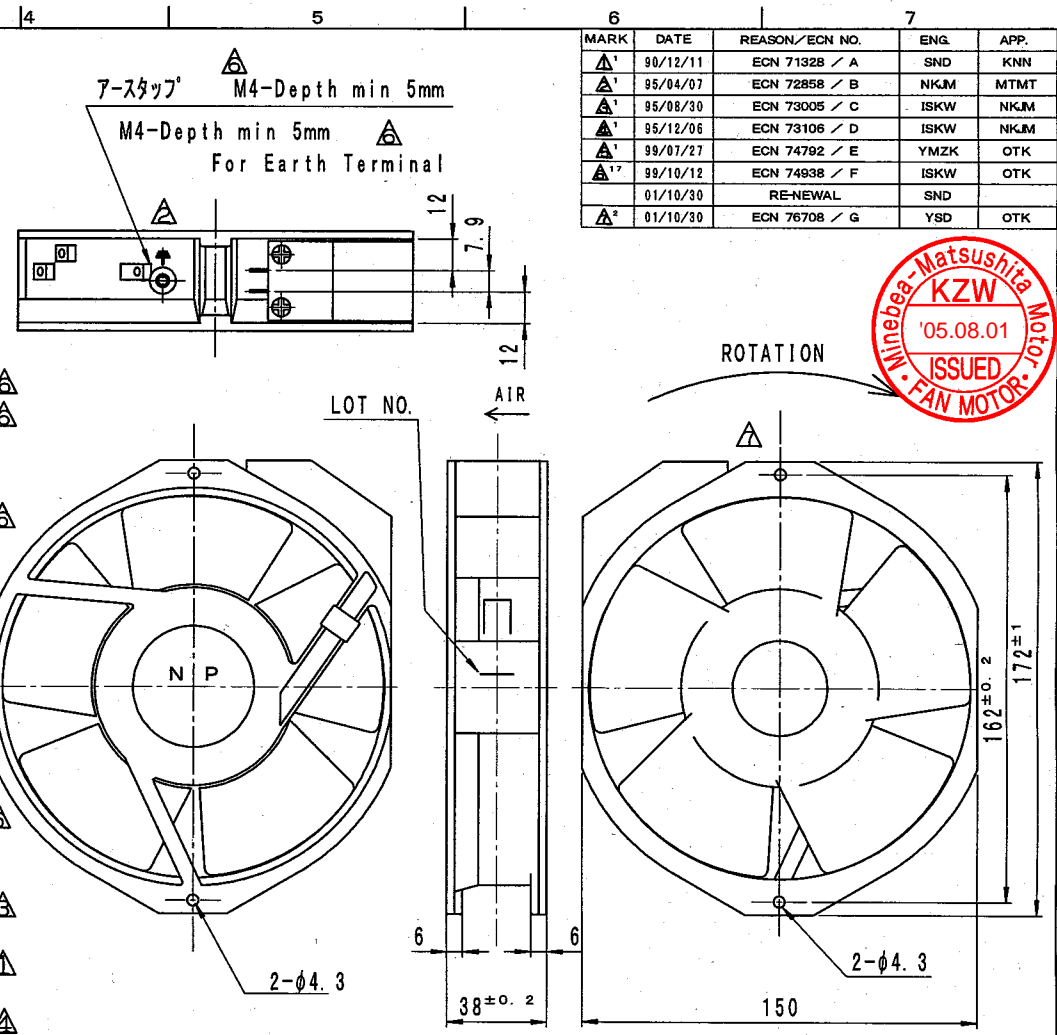
*Amada*

*S. Ume*

項目 (ITEMS)	諸元 (DESCRIPTION)
モーターの種類 (MOTOR TYPE)	単相 2 極コンデンサーラン電動機 2P single Ph. Capacitor-Run Ind. Motor
定格 (Rating)	
定格時間 (Duty)	連続 (Continuous)
電圧 (Voltage) (V)	230
周波数 (Frequency) (Hz)	50 60
起動電圧 (Starting Voltage) (V)	145
定格回転速度 (Speed) min (min <sup>-1</sup> )	2700 3200
定格電流 (Current) max (A)	0.19 0.18
定格入力 (Input Power) <sup>+10</sup> / <sub>-20</sub> % (W)	35 35
最大風量 (Max. Air Flow) ☆5 ☆4 (m <sup>3</sup> /min)	5.0 <del>★1 (176.6)</del> 6.0 <del>★1 (212.0)</del>
最大静圧 (Max. Static Pressure) ☆6 ☆4 (Pa)	157.0 <del>★2 (0.630)</del> 215.8 <del>★2 (0.866)</del>
拘束電流 (Locked Rotor Current) (A)	0.28 0.31
規格 (Standard)	
絶縁抵抗 (Insulation resistance)	DC500V メガーにて100MΩ以上 (min 100MΩ BY DC500V Megger)
絶縁耐圧 (Dielectric Withstand Voltage) ☆3	AC1800V, 50 (60) Hz, 3s
温度上昇 (Temperature Rise) 温度計法 (Thermocouple Method)	max 20° C
抵抗法 (Resistance Method)	max 50° C
期待できる平均寿命 (Life Expectation)	常温常湿にて50,000時間 (50,000h at 20°C ± 15°C, 65% ± 20%)
許容環境温度範囲 (Allowable Ambient Temperature)	-40°C ~ +70°C
表面処理 (Surface Treatment)	黒色塗装 (Black Painting)
質量 (Mass : kg)	0.8
騒音 (Noise : dB)	52/56 (50/60Hz, 側面より1m) (50/60Hz 1m aside)
保護方式 (Protection)	サーマルプロテクト (Thermally Protected)
絶縁階級 (Insulation Class)	E種 (class A)
型式許可番号	
UL File No.	E89936
CSA File No.	LR65829
	En 60-935-1
構造 (Structure)	
軸受 (Bearings)	ボールベアリング (Ball Bearings)
コンデンサー容量 (Capacitor)	1.0 μF 350V AC
端子 (Terminal)	ファストン #110相当品 (FASTON #110 or equiv.)

特記事項 NOTE

- 本仕様書に記載されていない項目で特に決めの必要項目は事前に御連絡下さい。  
SPECIFICATIONS WILL BE SPECIFIED BETWEEN MANUFACTURER AND CUSTOMER, IF CUSTOMER REQUIRED ANY OTHER SPECIFICATION FROM SPECIFICATIONS.
- 当仕様満足範囲において性能向上の為、部品等一部変更する場合があります。  
PARTS DESIGN WILL BE CHANGED WITHOUT ANY INFORMATION DUE TO IMPROVE THE MOTOR CHARACTERISTICS BY UNDER SPECIFIED SPECIFICATIONS.
- 保管はできるだけ6ヵ月以内とし、高温多湿の場所は避けて下さい。  
STORAGE TERMS SHOULD BE WITHIN 6 MONTHS AS MUCH AS POSSIBLE, AND SHOULD NOT BE KEPT IN HIGH TEMPERATURE AND HIGH HUMIDITY AREA.



MARK	DATE	REASON/ECN NO.	ENG.	APP.
△1	90/12/11	ECN 71328 / A	SND	KNN
△1	95/04/07	ECN 72858 / B	NKJM	MTMT
△1	95/08/30	ECN 73005 / C	ISKW	NKJM
△1	95/12/06	ECN 73106 / D	ISKW	NKJM
△1	99/07/27	ECN 74792 / E	YMZK	OTK
△1*	99/10/12	ECN 74938 / F	ISKW	OTK
	01/10/30	RE-NEWAL	SND	
△2	01/10/30	ECN 76708 / G	YSD	OTK

NOTE

- △1 Max Air Flow in CFM
- △2 Max Static Pressure in Inches of Water
- ☆3 Guarantee AC 1500V 1 min
- ☆5 At 0 static pressure
- ☆7 Producing Country " (JAPAN), CHINA "
- ☆4 Designates minimum values
- ☆6 At 0 Air Flow
- ☆8 Made in JAPAN

ミネベア・松下モータ 株式会社 Minebea-Matsushita Motor Corporation			単位 UNIT mm 尺度 SCALE 表面粗さ SURF. ROUGH.	材質 MATERIAL 作成日 DATE 1987 ' 08 ' 26 品名 DESCRIPTION <b>AC FANMOTOR</b>
寸法 L 公差 L ≤ 4 ±0.1 4 < L ≤ 16 ±0.2 16 < L ≤ 63 ±0.3 63 < L ≤ 250 ±0.5 250 < L ≤ 1000 ±0.8 角度 DEG ±0.5	熱処理 HEAT TREAT 表面処理 FINISH	品番 PART NO. (MODEL NO.) <b>5915PG-23T-B30-A00</b>	図番 DRAWING NO. <b>5915PG-23T-B30-A00</b>	業書 SHEET 1 / 1 改訂 REV. <b>G</b>
APPROVED <b>KNN</b>	CHECKED <b>USD</b>	DRAWN <b>INGK</b>		