

3610KL (92[□] x 25^L)



EMINEBEA.COM

勝特力材料 886-3-5753170
 勝特力电子(上海) 86-21-34970699
 勝特力电子(深圳) 86-755-83298787
[Http://www.100y.com.tw](http://www.100y.com.tw)

General Specifications

Motor Protection:

Auto Restart/Polarity Protection

Insulation Resistance: 10M Ω or over with a DC500V Megger

Dielectric Withstand Voltage: AC 700V 1s

Allowable Ambient Temperature Range:

B60 Class: -10°C ~ +50°C (Operating)

B10~B50 Class: -10°C ~ +70°C (Operating)

All Class: -40°C ~ +70°C (Storage)
 (non-condensing environment)

Expected Life

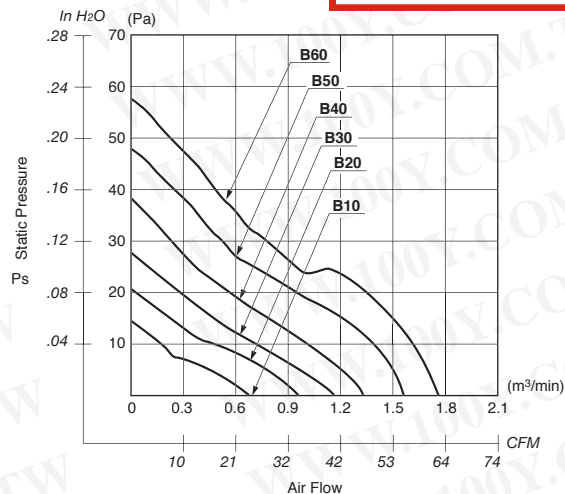
Failure Rate: 10%

25°C 100,000 Hours (B00, E00)

25°C 70,000 Hours (G00,D00)

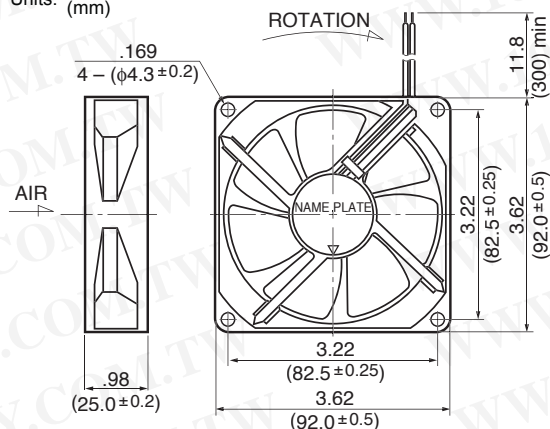
25°C 60,000 Hours (C00, F00)

Characteristic Curves

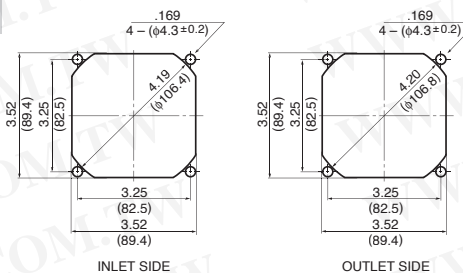


Outline

Units: $\frac{\text{inch}}{\text{mm}}$



Panel Cut-outs



Material

- Casing : Plastic (Black) 94V-0
- Impeller : Plastic (Black) 94V-0
- Bearing : Ball Bearing
- Lead Wire : UL1007, AWG24, +Red, -Black

Specifications

| MODEL | Product No. | Rated Voltage | Operating Voltage | Current (A) ^{*1} | Input Power (W) ^{*1} | Speed (min ⁻¹) ^{*1} | Max. Air Flow | | Max. Static Pressure | | Noise (dB) ^{*1} | Mass (g) |
|----------------|-------------|---------------|-------------------|---------------------------|-------------------------------|--|-------------------|-------------------------------------|----------------------|--------------------|--------------------------|----------|
| | | (V) | (V) | | | | CFM ^{*1} | (m ³ /min) ^{*1} | in H ₂ O | (Pa) ^{*1} | | |
| 3610KL-04W-B10 | X00 | 12 | 6.0 ~ 13.8 | 0.073 | 0.876 | 1750 | 26.5 | 0.75 | .06 | 14.2 | 25.0 | 95 |
| 3610KL-04W-B20 | X00 | 12 | 6.0 ~ 13.8 | 0.110 | 1.320 | 2100 | 33.5 | 0.95 | .08 | 20.1 | 29.5 | 95 |
| 3610KL-04W-B30 | X00 | 12 | 6.0 ~ 13.8 | 0.160 | 1.920 | 2450 | 40.6 | 1.15 | .11 | 27.0 | 34.0 | 95 |
| 3610KL-04W-B40 | X00 | 12 | 6.0 ~ 13.8 | 0.220 | 2.640 | 2850 | 47.6 | 1.35 | .15 | 37.2 | 37.5 | 95 |
| 3610KL-04W-B50 | X00 | 12 | 6.0 ~ 13.0 | 0.315 | 3.780 | 3200 | 54.7 | 1.55 | .19 | 48.0 | 41.0 | 95 |
| 3610KL-04W-B60 | X00 | 12 | 6.0 ~ 12.6 | 0.430 | 5.160 | 3600 | 61.8 | 1.75 | .23 | 57.2 | 44.5 | 95 |
| 3610KL-05W-B10 | X00 | 24 | 10.0 ~ 27.6 | 0.05 | 1.20 | 1750 | 26.5 | 0.75 | .06 | 14.2 | 25.0 | 95 |
| 3610KL-05W-B20 | X00 | 24 | 10.0 ~ 27.6 | 0.06 | 1.44 | 2100 | 33.5 | 0.95 | .08 | 20.1 | 29.5 | 95 |
| 3610KL-05W-B30 | X00 | 24 | 10.0 ~ 27.6 | 0.09 | 2.16 | 2450 | 40.6 | 1.15 | .11 | 27.0 | 34.0 | 95 |
| 3610KL-05W-B40 | X00 | 24 | 10.0 ~ 27.6 | 0.12 | 2.88 | 2850 | 47.6 | 1.35 | .15 | 37.2 | 37.5 | 95 |
| 3610KL-05W-B50 | X00 | 24 | 10.0 ~ 25.0 | 0.16 | 3.84 | 3200 | 54.7 | 1.55 | .19 | 48.0 | 41.0 | 95 |
| 3610KL-05W-B60 | X00 | 24 | 10.0 ~ 25.0 | 0.20 | 4.80 | 3600 | 61.8 | 1.75 | .23 | 57.2 | 44.5 | 95 |

Rotation: Clockwise

Airflow Outlet: Air Out Over Struts

*1: Average Values in Free Air