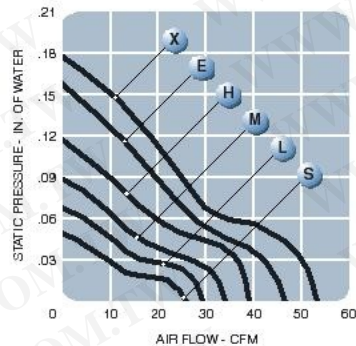


勝特力材料 886-3-5753170

勝特力电子(上海) 86-21-34970699

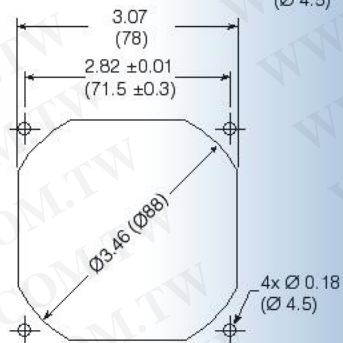
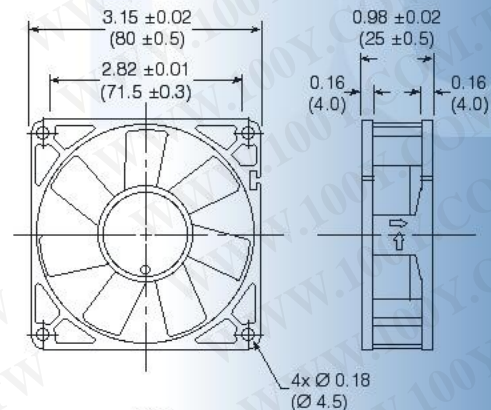
勝特力电子(深圳) 86-755-83298787

Http://www.100y.com.tw



Size: (80 x 80 x 25 mm)
3.15 x 3.15 x 0.98 inches

- Broad range of models to meet air flow and sound noise targets
- Electronic locked rotor sensor, auto-restart reverse polarity protection
- 5, 12, or 24 VDC
- Flanged or ribbed frame styles; ball bearings
- Options include tachometer or locked rotor output signal, and thermistor control



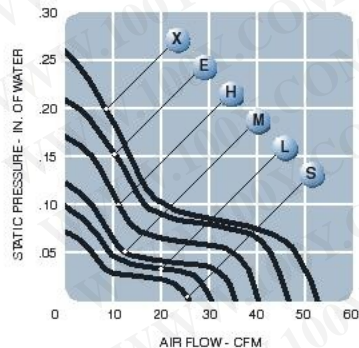
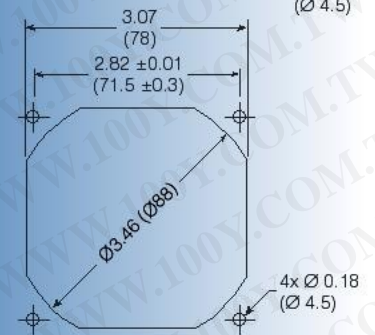
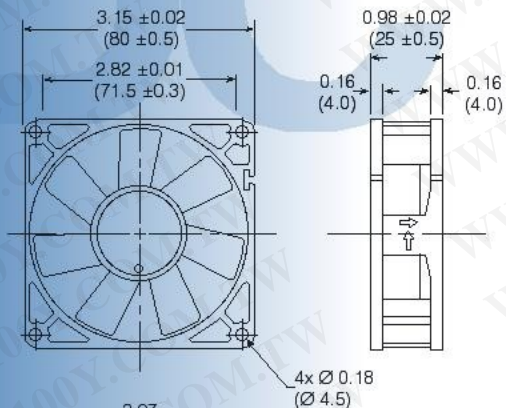
Model No.	Rated Voltage (V)	Current (mA)			Revolution (RPM)	Air Volume (CFM)	Maximum Static Pressure (in H ₂ O)	Sound Noise (dBA)	Weight (oz)
		5	12	24					
F8025 S	5/12/24	150	75	50	1,500	25	0.05	20	2.79
F8025 L	5/12/24	200	90	60	1,800	29	0.07	22	2.79
F8025 M	5/12/24	290	120	80	2,100	34	0.09	26	2.79
F8025 H	5/12/24	420	145	90	2,400	39	0.12	29	2.79
F8025 E	5/12/24	800	240	140	2,800	46	0.16	32	2.79
F8025 X	12/24	-	480	260	3,200	51	0.18	35	2.79

F8025-HP Series

HIGH PERFORMANCE

Size: (80 x 80 x 25 mm)
3.15 x 3.15 x 0.98 inches

- High performance impeller design for maximum air flow
- Electronic locked rotor sensor, auto-restart reverse polarity protection
- 12 or 24 VDC
- Ribbed or flanged frame styles; ball bearings
- Options include tachometer or locked rotor output signal, and thermistor control



Model No.	Rated Voltage (V)	Current (mA)		Revolution (RPM)	Air Volume (CFM)	Maximum Static Pressure (in H ₂ O)	Sound Noise (dBA)	Weight (oz)
		12	24					
F8025 S-H	12/24	75	50	2,000	26	0.07	22	2.79
F8025 L-H	12/24	90	60	2,400	31	0.10	26	2.79
F8025 M-H	12/24	120	80	2,800	35	0.12	29	2.79
F8025 H-H	12/24	145	90	3,200	40	0.17	32	2.79
F8025 E-H	12/24	240	140	3,600	46	0.21	35	2.79
F8025 X-H	12/24	480	260	4,200	53	0.26	39	2.79

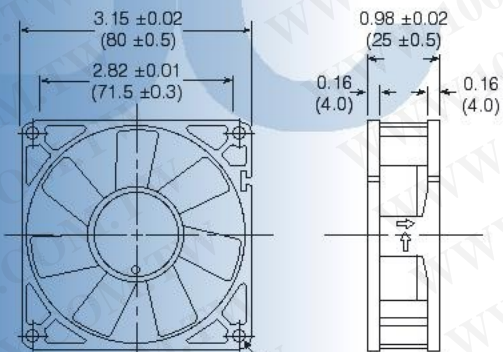
A8025 Series

LOW COST

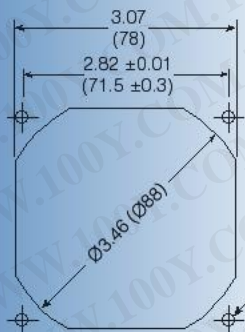
Size: (80 x 80 x 25 mm)

3.15 x 3.15 x 0.98 inches

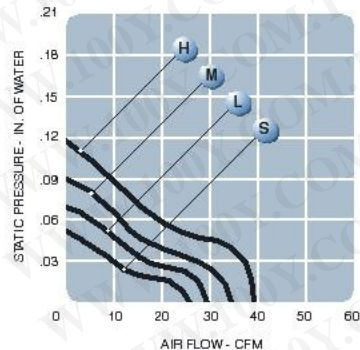
- "Low Cost" design; impedance protected
- 12 or 24 VDC
- Ball or sleeve bearing models
- Ribbed or flanged frame style
- Optional tachometer output



4x Ø 0.18
(Ø 4.5)



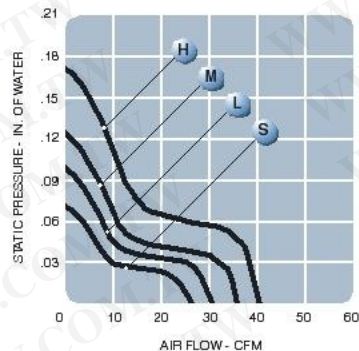
4x Ø 0.18
(Ø 4.5)



Model No.	Rated Voltage (V)	Current (mA)		Revolution (RPM)	Air Volume (CFM)	Maximum Static Pressure (in H ₂ O)	Sound Noise (dBA)	Weight (oz)
		12	24					
A8025 S	12/24	75	50	1,500	25	0.05	20	2.79
A8025 L	12/24	95	60	1,800	29	0.07	22	2.79
A8025 M	12/24	130	80	2,100	34	0.09	26	2.79
A8025 H	12/24	160	95	2,400	39	0.12	29	2.79

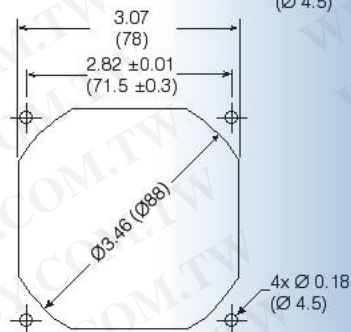
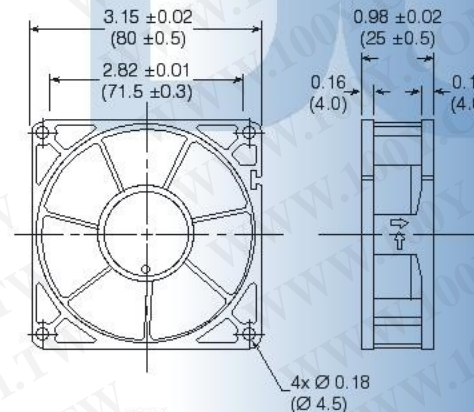
A8025-HP Series

HIGH PERFORMANCE



Size: (80 x 80 x 25 mm)
3.15 x 3.15 x 0.98 inches

- High Performance impeller combined with low cost impedance protection design
- 12 or 24 VDC
- Ball or sleeve bearing models
- Optional tachometer output



Model No.	Rated Voltage (V)	Current (mA)		Revolution (RPM)	Air Volume (CFM)	Maximum Static Pressure (In H ₂ O)	Sound Noise (dBA)	Weight (oz)
		12	24					
A8025 S-H	12/24	75	50	2,000	26	0.07	22	2.79
A8025 L-H	12/24	95	60	2,400	31	0.10	26	2.79
A8025 M-H	12/24	130	80	2,800	35	0.12	29	2.79
A8025 H-H	12/24	160	95	3,200	40	0.17	32	2.79