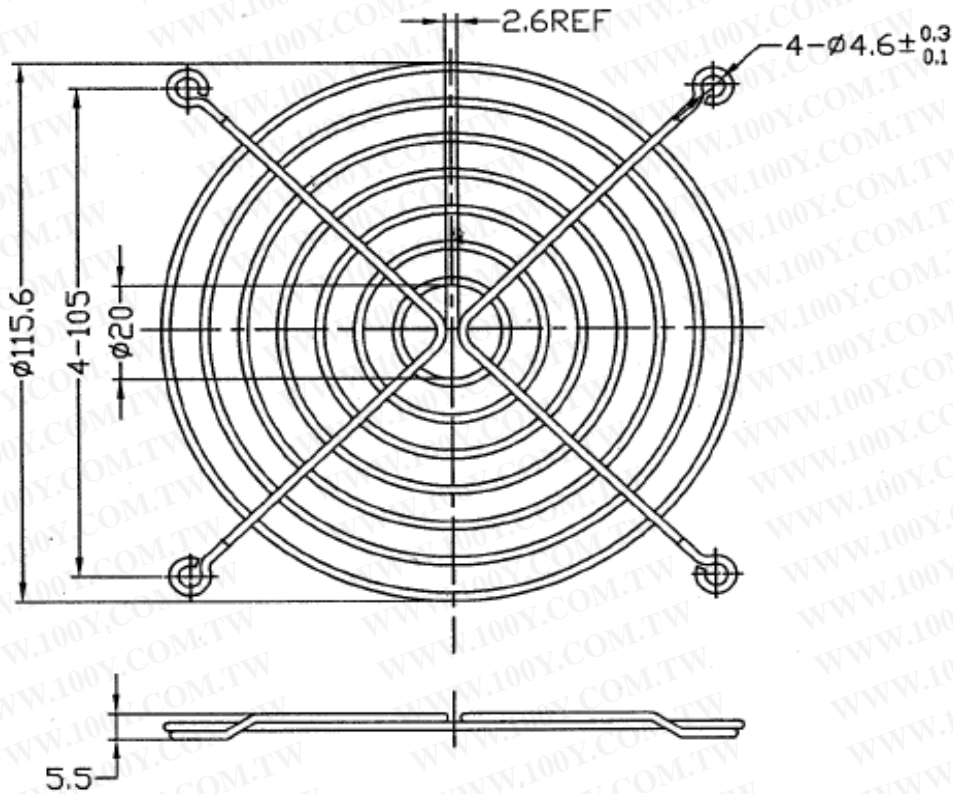


# G12B7-4HA

## 風扇網

勝特力材料 886-3-5753170  
勝特力电子(上海) 86-21-34970699  
勝特力电子(深圳) 86-755-83298787  
[Http://www.100y.com.tw](http://www.100y.com.tw)



### NOTES:

1. MATERIAL: C1008 BRIGHT BASIC WIRE.
2. FINISH: BRIGHT NICKEL CHROME.
3. (1) RINGS ARE  $\phi 1.8\text{mm}$ .  
(2) RIBS ARE  $\phi 1.8\text{mm}$ .
4. WELD JOINTS TO WITHSTAND 88 LBS PULL FORCE.
5. SPACING BETWEEN RINGS TO BE EUQIDISTANT 5.88mm.
6. GENERAL TOLERANCE UNLESS NOTED:  $\pm 0.5\text{mm}$ .
7. PART MEETS  $\phi 6.35\text{mm}$  PLUG GAUGE TEST.
8. UNIT: mm.