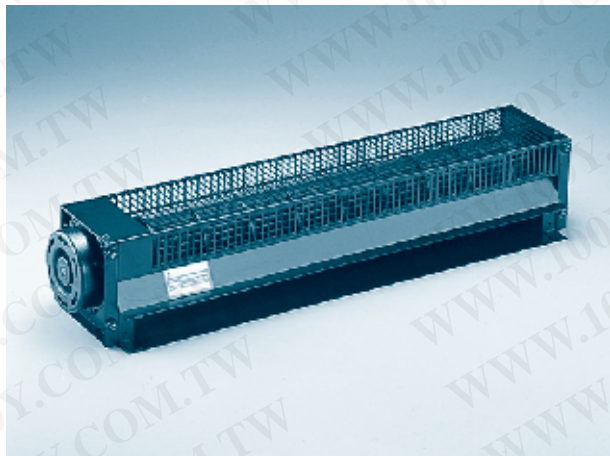
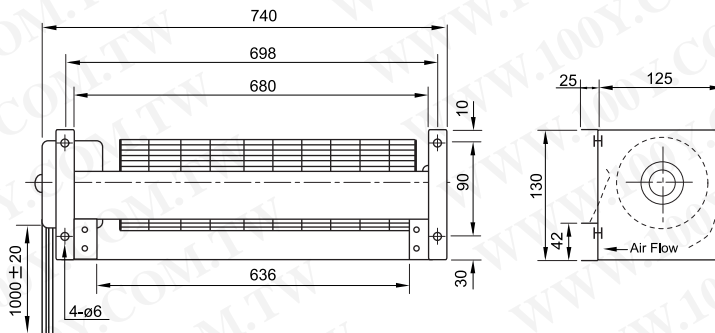


UF9060 Series

Size : 740 x 150 x 130
Unit : mm



勝特力材料 886-3-5753170
 勝特力电子(上海) 86-21-34970699
 勝特力电子(深圳) 86-755-83298787
[Http://www.100y.com.tw](http://www.100y.com.tw)



Spec.	Rated Voltage	Frequency	Input Power	Rated Current	Locked Current	Speed	Maximum Air Flow	Maximum Air Flow	Maximum Pressure	Maximum Pressure	Noise	Weight
Model	V	Hz	W	A	A	RPM	m ³ /min.	CFM	mmH ₂ O	InchH ₂ O	dB	kg
UF9060CBP12H-L	120	50	130	1.00	1.40	2150	15.5	550	9	0.35	55	5.3
		60	160	1.25	1.40	2100	15.0	530	11	0.43	54	
UF9060CBP23H-L	230	50	130	0.55	0.75	2150	15.5	550	9	0.35	55	5.3
		60	160	0.70	0.75	2100	15.0	530	11	0.43	54	