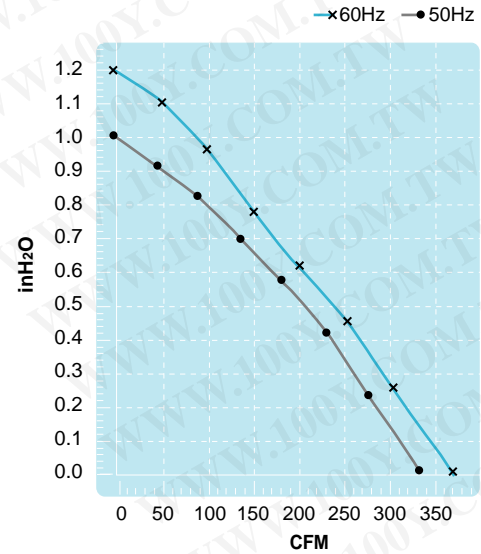


# UF190APA Series

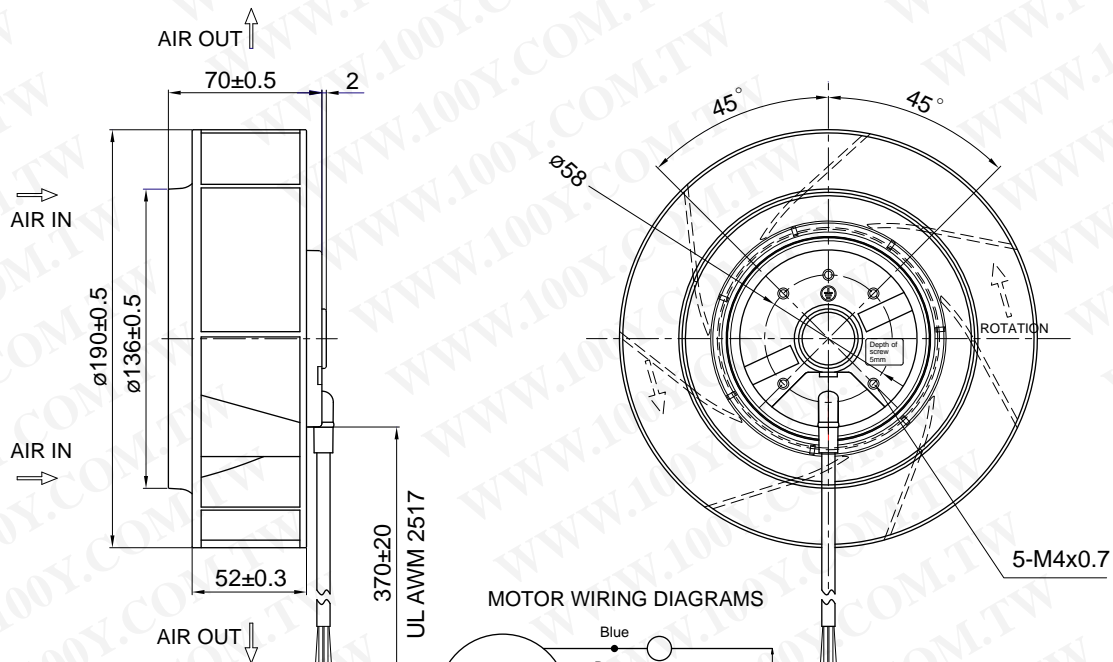
勝特力材料 886-3-5753170  
勝特力电子(上海) 86-21-34970699  
勝特力电子(深圳) 86-755-83298787  
[Http://www.100y.com.tw](http://www.100y.com.tw)



## (Centrifugal Fan)



## Thermal Protection



勝特力材料 886-3-5753170  
勝特力电子(上海) 86-21-34970699  
勝特力电子(深圳) 86-755-83298787  
[Http://www.100y.com.tw](http://www.100y.com.tw)

## EXTERNAL ROTOR FAN

### GENERAL DATA

Model No : UF190APA Series

Size : Ø190\*70 (Unit : mm)

Operating Temperature : -40℃ ~ 60℃

Life Expectancy : Ball Bearing : over 40,000hr. (At40℃)

Protection : Thermal Protection

Motor : Capacitor Start Motor

Housing : Aluminum die-casting

Impeller : Plastic nylon

Safety Approval : UL , CE , TUV

Insulation Resistance : Above 100MΩ , DC500V

Dielectric withstand voltage : AC 1500V ( 50/60Hz ) one minute

Poles of Motor : 2P

Insulation Class : B class (Temperature Rating : 130℃)

Sort of Fan : Centrifugal Fan

**RoHS COMPLIANT**

MADE IN TAIWAN ( FULLTECH ELECTRIC CO., LTD. )