

## General Data:

- Frame/Housing : Aluminum die-casting
- Impeller : Plastic PBT PC, nylon or metal.
- Bearing System : Ball bearing or sleeve bearing
- Motor : Shaded pole or capacitor start-run
- Connection : Lead wire or terminal type
- Protection : Impedance protection or thermal protection
- Insulation Resistance : Above 100MΩ, DC500V.
- Dielectric withstand voltage : AC 1,500V (50/60Hz) one minute
- Operating Temperature : Ball bearing: -40°C~70°C  
Sleeve bearing: -20°C~70°C
- Life Expectancy : Ball bearing: Over 40,000 hr. (at 40°C)  
Sleeve bearing: Over 15,000 hr. (at 40°C)
- Safety Approval : CUL, CE, TUV, either UL or ETL.



勝特力材料 886-3-5753170  
 勝特力电子(上海) 86-21-54151736  
 勝特力电子(深圳) 86-755-83298787  
[Http://www.100y.com.tw](http://www.100y.com.tw)



- Description of Model No.

UF	12	A	(R)	11	B	T	H	N
1	2	3	4	5	6	7	8	9

### 1. UF:

Fulltech

### 2. Size:

12 : 120 x 120mm  
 13 : 127 x 127mm  
 92 : 92 x 92mm  
 80 : 80 x 80mm  
 15 : 150 x 172mm  
 17 : 172 x 172mm  
 25 : 254 x 254mm  
 60 : 60 x 60mm  
 16 : 160 x 160mm  
 18 : 180 x 180mm

### 3. Thickness:

A : 38mm  
 B : 25mm  
 D : 30mm  
 G : 89mm  
 K : 55mm  
 P : 51mm  
 F : 62mm  
 J : 90mm  
 H : 107mm

### 4. Special Design:

C : Capacitor Start-run  
 R : Reverse Air  
 M : Metal Impeller  
 CR : Capacitor Induction Motor  
     + Reverse Air  
 MR : Metal Impeller + Reverse Air  
 E : Without Frame  
 A : 3 Phases

### 5. Input Voltage:

11 : 115V  
 23 : 230V  
 10 : 100V  
 20 : 200V

### 6. Bearing:

B : Ball  
 S : Sleeve

### 7. Electrical Connection:

T : Terminal Type  
 W : Lead Wire

### 8. Speed:

H : High  
 M : Medium  
 L : Low

### 9. Feature:

N : Motor Sealed  
 D : Stator Painted  
 S : Tachometer  
     Sensor Fan  
 F : Class F

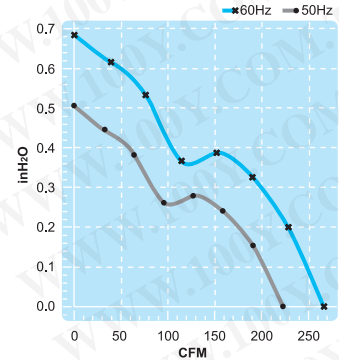
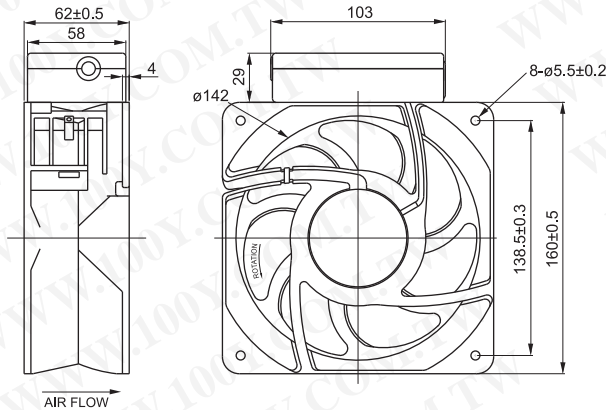
Special or custom design are welcome. For example as follow:

- Dual voltage type of 115V / 230V.
- Dual speed type or multiple speed type.
- Special voltage type, like AC24V, 48V, 380V.
- Hall sensor type.

# UF16F(C) Series

Size : 160 x 160 x 62  
Unit : mm

勝特力材料 886-3-5753170  
勝特力电子(上海) 86-21-54151736  
勝特力电子(深圳) 86-755-83298787  
[Http://www.100y.com.tw](http://www.100y.com.tw)



## Thermal Protection

## Terminal Box Type



Spec. Model	Rated Voltage V	Frequency Hz	Input Power W	Rated Current A	Locked Current A	Speed RPM	Maximum Air Flow m <sup>3</sup> /min.	Maximum Air Flow CFM	Maximum Pressure mmH <sub>2</sub> O	Maximum Pressure InchH <sub>2</sub> O	Noise dB	Weight kg
UF16FC10-H	100V	50	46	0.54	0.88	2850	6.3	222	13.5	0.53	52	1.33
		60	41	0.44	0.92	3400	7.5	265	18.2	0.72	56	
UF16FC11-H	115V	50	46	0.43	0.80	2850	6.3	222	13.5	0.53	52	1.33
		60	41	0.34	0.79	3400	7.5	265	18.2	0.72	56	
UF16FC20-H	200V	50	46	0.27	0.45	2850	6.3	222	13.5	0.53	52	1.33
		60	41	0.22	0.48	3400	7.5	265	18.2	0.72	56	
UF16FC23-H	230V	50	46	0.22	0.20	2850	6.3	222	13.5	0.53	52	1.33
		60	41	0.17	0.41	3400	7.5	265	18.2	0.72	56	