

# DC centrifugal compact fan

single inlet

勝特力材料 886-3-5753170  
 勝特力电子(上海) 86-21-34970699  
 勝特力电子(深圳) 86-755-83298787  
[Http://www.100y.com.tw](http://www.100y.com.tw)



ebm-papst St. Georgen GmbH & Co. KG  
 Hermann-Papst-Straße 1  
 D-78112 St. Georgen  
 Phone +49 7724 81-0  
 Fax +49 7724 81-1309  
[info2@de.ebmpapst.com](mailto:info2@de.ebmpapst.com)  
[www.ebmpapst.com](http://www.ebmpapst.com)

## Nominal data

Type	RLF 100-11/14	
Nominal voltage	VDC	24
Nominal voltage range	VDC	16 .. 30
Speed	min <sup>-1</sup>	5100
Power input	W	8.0
Min. ambient temperature	°C	-20
Max. ambient temperature	°C	75
Air flow	m <sup>3</sup> /h	64
Sound power level	B	6.4

ml = max. load · me = max. efficiency · rfa = running at free air · cs = customer specs · cu = customer unit  
 Subject to alterations



# DC centrifugal compact fan

single inlet

## Technical features

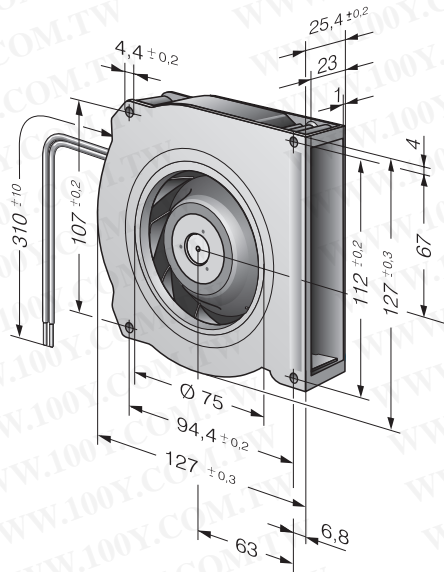
Dimensions	127 x 127 x 25 mm
General description	<p>Particular design features:</p> <p>Very flat and high-performance centrifugal fan. Pressure-optimised blower.</p> <p>Optional Vario-Pro: Highly flexible software configuration for the fan ensures an easily customisable solution to meet the individual requirements of your application.</p> <p>Some models standard with PWM and tachometer.</p> <p>Optional cap for outlet opening. Backward curved impeller.</p> <p>General features:</p> <p>Scroll housing and impeller made of fibreglass-reinforced plastic; housing base made of galvanised sheet steel.</p> <p>Electronic commutation completely integrated. Protected against reverse polarity and locking.</p> <p>Direction of air flow: axial air intake, centrifugal air exhaust out of the outlet.</p> <p>Connection via single strands AWG 22, TR 64, bared and tin-plated.</p> <p>Mass: 320 g.</p>
Connection line	Single strands AWG 22, TR 64, bared and tin-plated.
Locked-rotor protection	Electronic blocking and overload protection.
Direction of rotation	Right, looking at rotor
Direction of air flow	Axial air intake, centrifugal air exhaust out of the outlet.
Bearing	Ball bearings
Lifetime L10 at 40 °C	80000 h
Lifetime L10 at maximum temperature	30000 h
Mass	0.320 kg
Housing material	Scroll housing of fiberglass-reinforced plastic, housing base of galvanized sheet steel.
Material of impeller	Fiberglass-reinforced plastic
Motor protection	Protected against reverse polarity and locking.
Approval	VDE, CSA, UL, CE



# DC centrifugal compact fan

single inlet

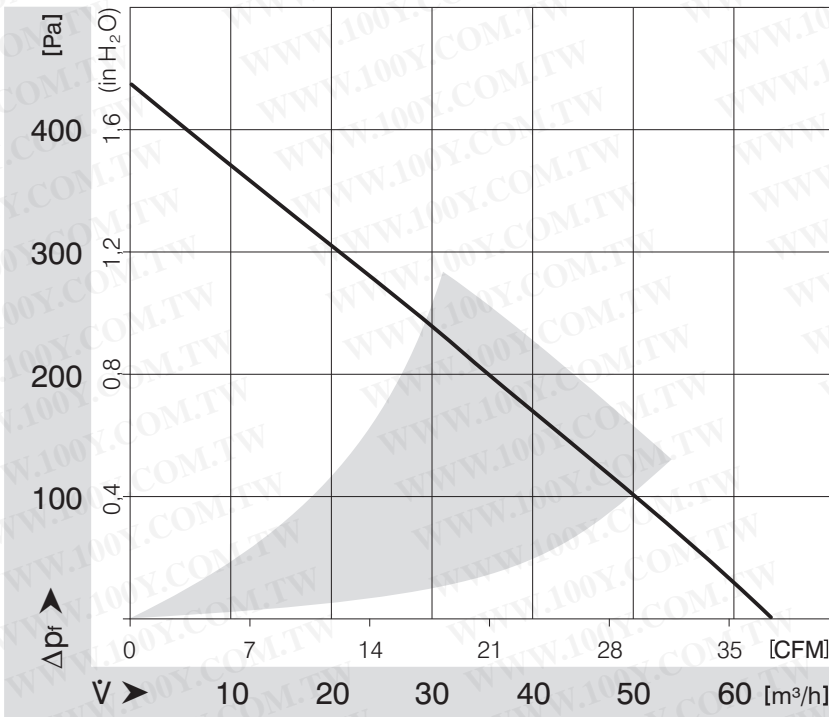
## Product drawing



# DC centrifugal compact fan

single inlet

Charts: Air flow



**勝特力材料 886-3-5753170**  
**勝特力电子(上海) 86-21-34970699**  
**勝特力电子(深圳) 86-755-83298787**  
[Http://www.100y.com.tw](http://www.100y.com.tw)

