

4114 N/2XH DC Axial Fan

4184 N/2XH DC Axial Fan

38mm flat axial fan for DC operation with very high power/performance. Driven by an electronically commutated external rotor motor. Electronic commutation system is integrated into the motor hub. Air flow and noise level can be controlled by varying the supply voltage range.



Features

- Electronically protected against blocking and overloading.
- Electronical protection against reverse polarity.
- Extremely low EMI.
- Electrical connection
4114 N/2XH: via leads
4184 N/2XH: via 2 flat pins 2,8 x 0,5 mm and extra tacho lead

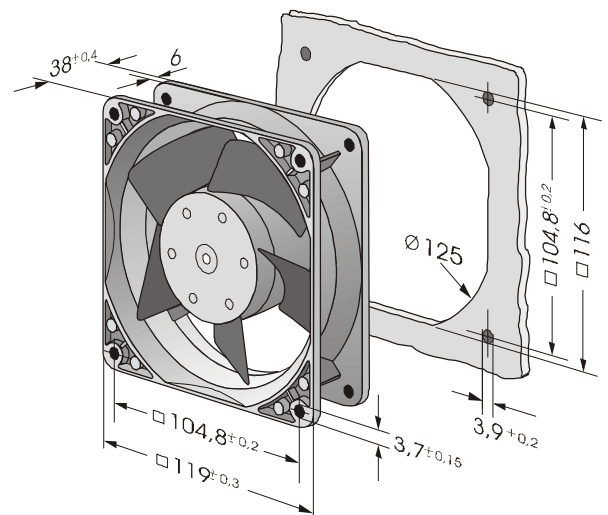
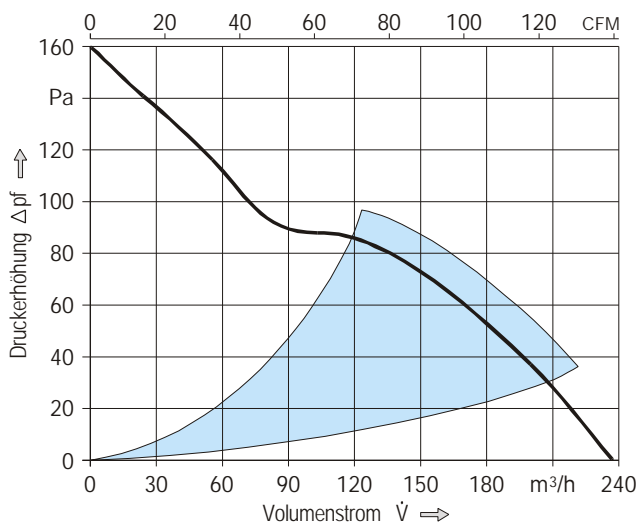
General Data

Nominal voltage	V DC	24
Voltage range	V DC	12...25
Nominal speed	min ⁻¹	4400
Max. flow rate	m ³ /h	237
Max. flow rate	CFM	139,5
Noise free air	dB(A)	59
Noise in optimum operating range	bels	6,5
Current consumption	mA	460
Power consumption	W	11
Perm. ambient temperature at max. voltage	°C	-30 ... +55
Service life (55 °C)	h	52 500
Service life (40 °C)	h	70 000
Fan housing / impeller		Metal / PA 6.6
Bearing system		Ball bearings
Mass	g	390

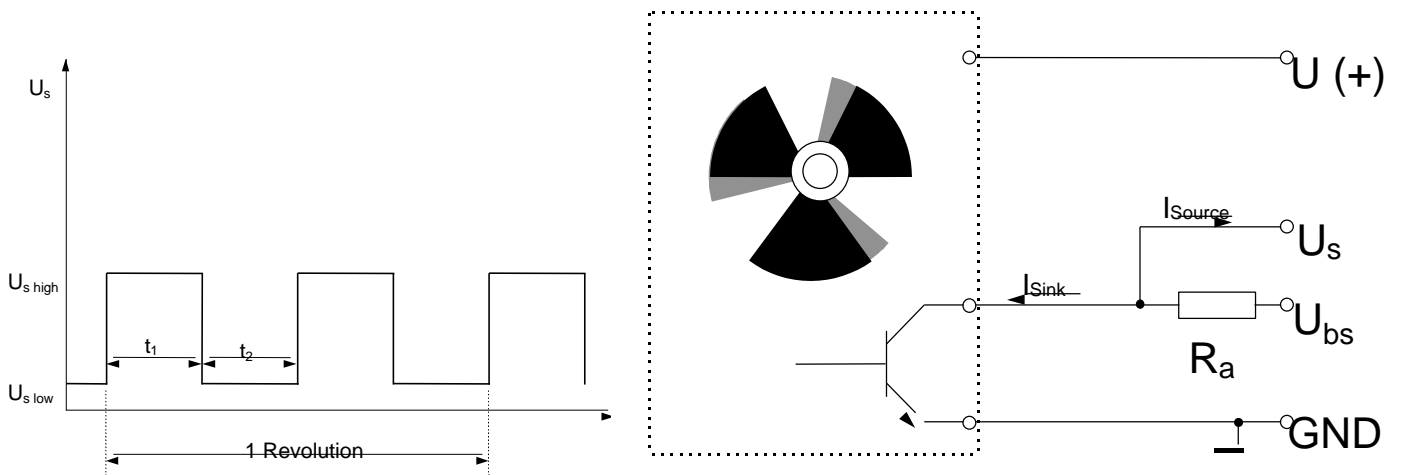
All data are average values at nominal voltage.

Subject to technical change.

勝特力電材超市-龍山店 886-3-5773766
 勝特力電材超市-光復店 886-3-5729570
 勝特力電子(上海) 86-21-34970699
 勝特力電子(深圳) 86-755-83298787
<http://www.100y.com.tw>



Sensor Signal /2



$$R_a = \frac{U_{bs} - U_{slow}}{I_{sink}}$$

勝特力電材超市-龍山店 886-3-5773766
 勝特力電材超市-光復店 886-3-5729570
 勝特力電子(上海) 86-21-34970699
 勝特力電子(深圳) 86-755-83298787
<http://www.100y.com.tw>

Output	2 pulses per revolution
U_{bs}	0,4...30 V DC
$U_{s \text{ high}}$	0,4...30 V DC at $I_{source} = 0 \text{ mA}$
$U_{s \text{ low}}$	$\leq 0,4 \text{ V DC}$ at $I_{sink} = 2 \text{ mA}$
$I_{sink \text{ max}}$	= 4 mA
t_1 / t_2	0,8...1,2