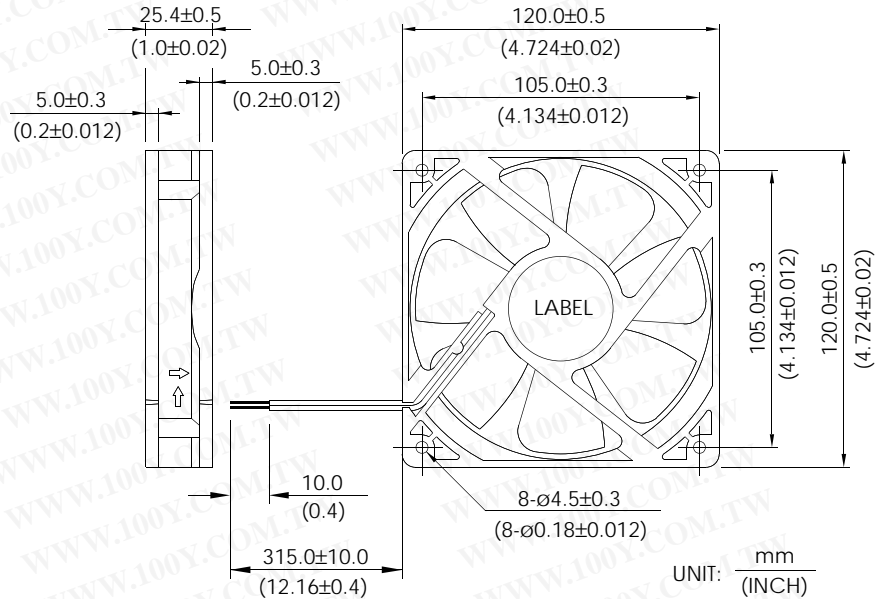


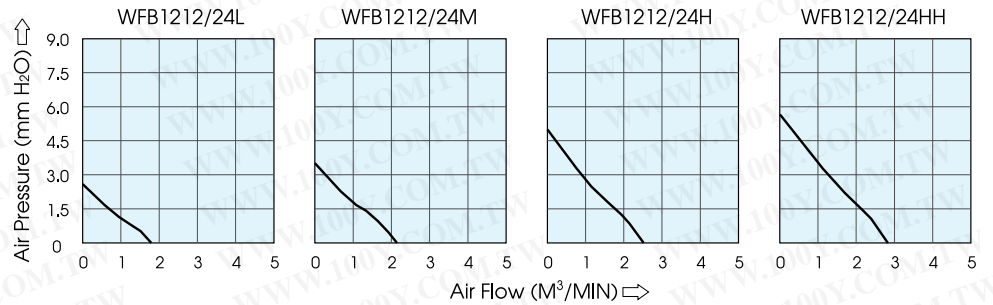
WFB 120 x 120 x 25 MM SERIES

DIMENSIONS DRAWING



- * Bearing Type
Two Ball Bearings
- * Material
Impeller & Frame : Plastic (UL 94V-0)
- * Lead Wires :
UL 1007 AWG #24 Or Equivalent
Red Wire Positive (+)
Black Wire Negative (-)
- * Weight : 180g (6.35 OZ)

P & Q CURVE (AT RATED VOLTAGE)



勝特力材料 886-3-5753170
 勝特力电子(上海) 86-21-34970699
 勝特力电子(深圳) 86-755-83298787
[Http://www.100y.com.tw](http://www.100y.com.tw)

MODEL		Rated Voltage	Operating Voltage Range	Rated Current	Rated Input Power	Speed	Maximum Air Flow		Maximum Air Pressure		Noise
PART NO.	FUNCTION	VDC	VDC	Amp	Watt	R.P.M.	m³/min	CFM	mmH ₂ O	IN H ₂ O	dB-A
WFB1212L	-R00/-F00	12	7.0 to 13.8	0.14	1.68	1750	1.75	61.8	2.65	0.104	30.2
WFB1224L	-R00/-F00	24	14.0 to 27.6	0.10	2.40						
WFB1212M	-R00/-F00	12	7.0 to 13.8	0.20	2.40	2100	2.05	72.4	3.40	0.134	34.0
WFB1224M	-R00/-F00	24	14.0 to 27.6	0.14	3.36						
WFB1212H	-R00/-F00	12	7.0 to 13.8	0.36	4.32	2470	2.45	86.5	4.80	0.189	37.6
WFB1224H	-R00/-F00	24	14.0 to 27.6	0.20	4.80						
WFB1212HH	-R00/-F00	12	7.0 to 13.8	0.45	5.40	2800	2.70	95.3	5.60	0.220	42.5
WFB1224HH	-R00/-F00	24	14.0 to 27.6	0.26	6.24						

* Function type is optional.
 * The max. air flow and the speed are measured in free air; max. air pressure is measured at zero air flow.
 * Noise is measured in anechoic chamber in free air, one meter from intake side.
 * All readings are typical values at rated voltage.
 * Specifications are subject to change without notice.