

SPECIFICATIONS

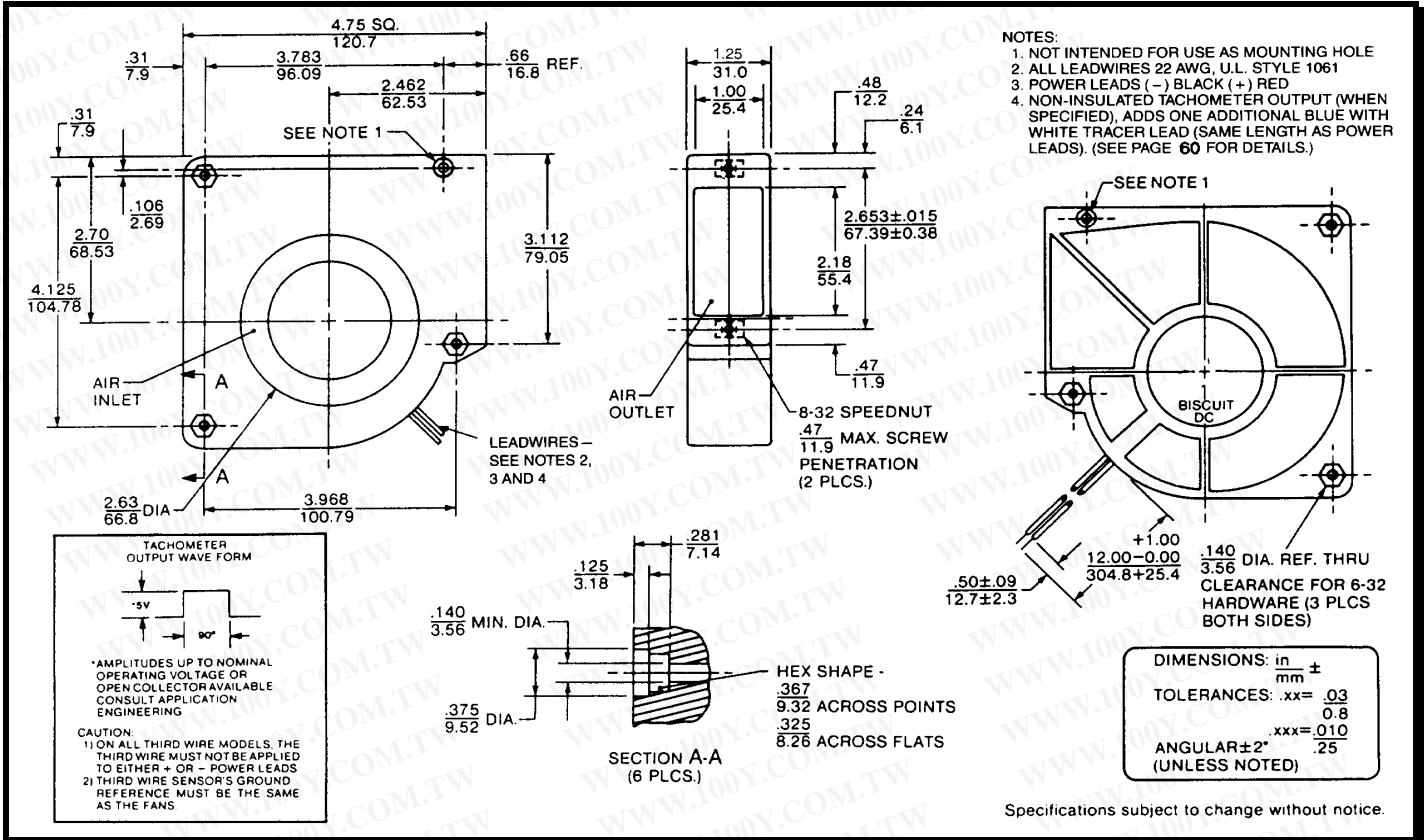
(RoHS Compliant)



Model Number: BD24B3
Part Number: 19030621A

Drawing Number: 26021647A02
Jan.25.2013

Mechanical Drawing:



Motor:

Nominal Voltage = 24 vdc
Operating Voltage Range = 12 - 28 vdc
Nominal Running Current = 0.48 amps
Locked Rotor Current = 0.95 amps
Running Power = 11.5 watts
Average Speed = 3100 rpm
Bearings = Ball
Air Flow = 26 cfm
Acoustic = 51.2 dBA

Construction:

Venturi: Plastic, Black, UL 94V-0
Propeller: Plastic, Black, UL 94V-0

Life Expectancy:

This fan is designed for continuous duty life of 78,000 hours at 40°C.

Additional Features:

Brushless DC Motor
Polarity Protected
Locked Rotor Protection
Automatic Restart Capability
Operating Temperature: -10°C to 70°C
Storage Temperature: -40°C to 85°C

Termination:

12" Lead wires, AWG 22, UL 1061
Red = Power (+)
Black = Ground (-)

Agency Certifications:

UL, CE

勝特力材料 886-3-5753170
勝特力电子(上海) 86-21-34970699
勝特力电子(深圳) 86-755-83298787
[Http://www.100y.com.tw](http://www.100y.com.tw)