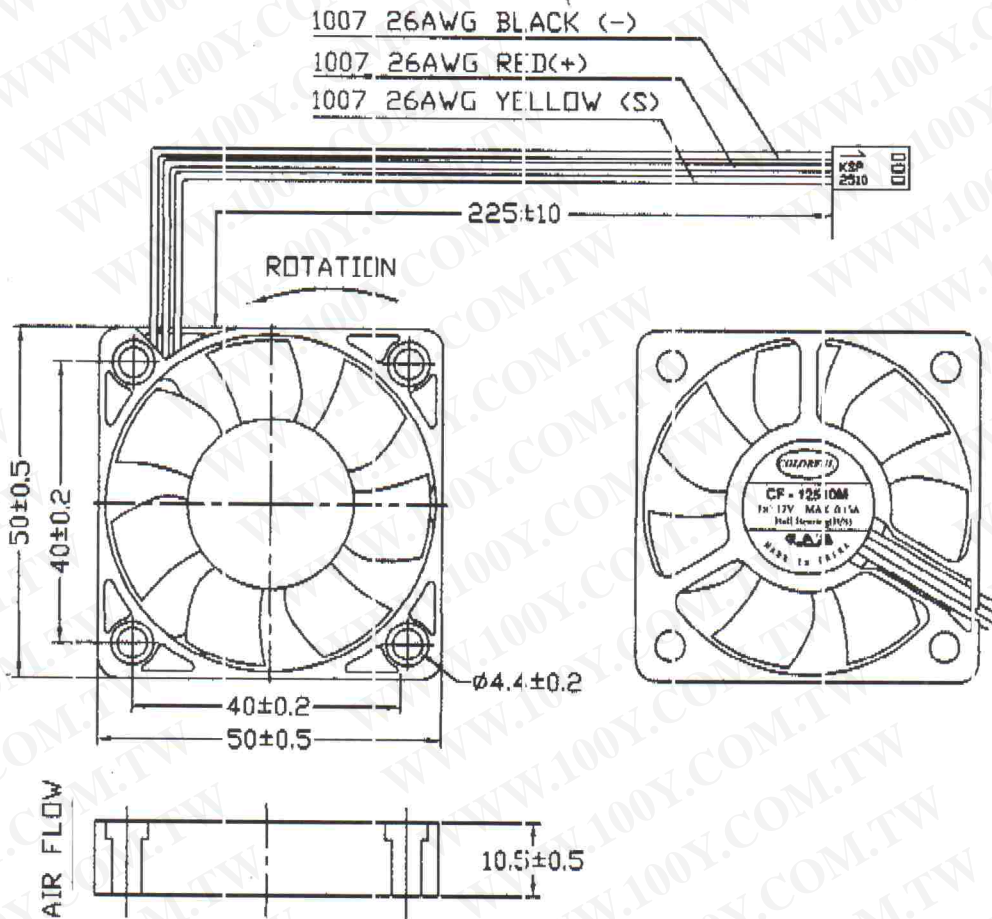


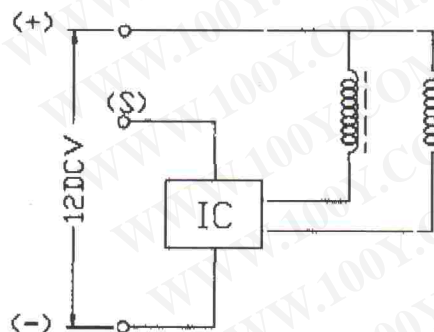
# 規格說明書 SPECIFICATION

勝特力材料 886-3-5753170  
 勝特力电子(上海) 86-21-54151736  
 勝特力电子(深圳) 86-755-83298787  
[Http://www.100y.com.tw](http://www.100y.com.tw)

物品 Article	Sensor Fan	料號 Model	CF-12510M	產品編號 Article Part No.	CF-12510XC-AB	頁數 Page	4 of 4	主題 Object	Drawing
---------------	---------------	-------------	-----------	-----------------------------	---------------	------------	--------	--------------	---------



Control Circuitry



框 葉	510A框B葉
單 位	mm
編 制	LXUEMES
時 間	2008.07.02

# 規格說明書

## SPECIFICATION

物品 Article	Sensor Fan	料號 Model	CF-12510M	產品編號 Article Part No.	CF-12510XC-AB	頁數 Page	3 of 4	主題 Object	Special Character
噪音測試 (Noise Test)		圖示 Exhibit		測試條件 Condition		測試結果 Result			
				Under the standard environmental conditions and rated condition, shall be measured in a sound isolated room of background noise 15dB(A) or less, in a distance of 1 M from intake side direction.		Max 35dB(A) characteristic average			
預期壽命 (Life Expectancy)	測試依據 Basis of test	環境溫度 Ambient Temperature		預期壽命 Expectance					
	MIL-HDBK-217D Test Standard	At 25°C Relative Humidity 45-85%		40000 Hours					
風量風壓特性 (Air Flow-Air pressure Characteristic)	相對條件 Relative Condition	項目 Item							
	Air pressure =0	Air Flow=11.0cfm							
	Air Flow =0	Air Pressure=2.5mmAq							
	Air Flow & Air pressure's Characteristic	As Performance Curves							
絕緣阻抗強度 (Insulation Resistance)		可承受在本體與兩條導線間加500V直流電壓,絕緣阻值達10M Ω以上。 Can withstand 500 VDC between housing and both lead wires. The insulation resistance is at least 10M Ω.							
絕緣耐壓強度 (Dielectric resistance)		可承受在本體與兩條導線間加每分鐘5mA 1500V交流電壓。 Can withstand 1500 VAC 1minute 5mA between housing and both lead wires.							
抗衝擊強度 (Pound resistance)		可承受三維方向上每 11ms 兩次的 60g 的衝擊力。 Can withstand the shock from all three axis by 60g and two times per 11ms.							
抗震動強度 (Vibration resistance)		可承受三維方向上從5-30Hz,0.04g到30-500Hz,2g的阻尼震盪達5分鐘。 Can withstand the vibration from 5-30Hz,0.04g to 30-500Hz,2g peak to peak amplitude for 5 minutes to all three axis.							
風扇鎖定測試 (Lock Test)		風扇以額定電壓鎖定72小時,當解除鎖定之後均仍然正常運轉。 Locked for at least 72hrs at rated voltage, the fans run normally after lock released.							
反向電壓測試 (Reversal Voltage Test)		風扇以額定電壓作反向導電測試2-3分鐘均不轉動,但正向導電後即可正常轉動。 Test with reversal working voltage for 2~3minutes, all remain still, but all fans run normally after corrected voltage.							

# 規格說明書

## SPECIFICATION

物品 Article	Sensor Fan	料號 Model	CF-12510M	產品編號 Article's Part No.	CF-12510XC-AB	頁數 Page	1 of 4	主題 Object	Engineering Data
產品類型(Product Type)				<input type="checkbox"/> 環保型(Environmental Protection) <input checked="" type="checkbox"/> 常規型(Normal)					
樣品需求類型(Samples Requirement):				<input type="checkbox"/> 工程樣品(Engineering Samples) <input type="checkbox"/> 投產前樣品(Pre-production Samples) <input checked="" type="checkbox"/> 現產線樣品(Production Sample)					
安規類型(Safety Approval)				<input checked="" type="checkbox"/> CE 994044E <input checked="" type="checkbox"/> UL E166537 <input checked="" type="checkbox"/> TÜV R9753301					
馬達保護類型(Motor Protection)				<input checked="" type="checkbox"/> 极性保護(Polarity Protection) <input type="checkbox"/> 自動啓動,鎖定保護(Auto Restart)					
接頭類型(Connection Lead Type)				<input type="checkbox"/> 線接(Wire) <input checked="" type="checkbox"/> 端接(Connector)					
軸承類型(Bearing Type)				<input type="checkbox"/> 1 Sleeve <input checked="" type="checkbox"/> 1 Ball and 1 Sleeve <input type="checkbox"/> 2 Balls					
材質類型(Material Type)				<input checked="" type="checkbox"/> PBT(94-V0) <input type="checkbox"/> PBT(94-HB) <input type="checkbox"/> PC					
<b>規格詳述 (Specification):</b>									
<b>規格類型(Item)</b>				<b>規格參數值(Specification/Conditions)</b>					
外觀尺寸(Measurement)				50*50*10 <i>mm</i>					
額定電壓(Rated Voltage)				12 <i>DCV</i>					
操縱電壓(Operating Voltage)				10.8~13.2 <i>DCV</i>					
啓動電壓(Starting Voltage)				Max: 7 <i>DCV (on/off)</i>					
額定電流(Rated Current)				0.09±0.02 <i>Amp</i>					
最大電流(Max. Current)				Max 0.15 <i>Amp (apply for safety stipulate current value)</i>					
額定功率(Input Power)				1.08 <i>Watts</i>					
額定轉速(Rated Speed)				5000 <i>RPM±10% (after running 3~5 minutes)</i>					
噪音值(Noise Level)				32±3 <i>dB(A)</i>					
風量(Air Flow)				11±0.5 <i>CFM</i>					
靜壓值(Static Pressure)				2.5±0.5 <i>MmAg</i>					
預計壽命(Life Expectancy)				40000 <i>Hours (at 25°C 65%RH)</i>					
工作溫度(Operating Temperature)				-10~+70 <i>°C(65%RH)</i>					
儲存溫度(Storage Temperature)				-40~+70 <i>°C(65%RH)</i>					
重量(Weight)				22 <i>Gram</i>					

勝特力材料 886-3-5753170  
 勝特力电子(上海) 86-21-54151736  
 勝特力电子(深圳) 86-755-83298787  
[Http://www.100y.com.tw](http://www.100y.com.tw)

# 規格說明書

## SPECIFICATION

物品 Article	Sensor Fan	料號 Model	CF-12510M	產品編號 Article's Part No.	CF-1251JXC-AB	頁數 Page	2 of 4	主題 Object	Material List
序號 No	主要元件 MAJOR COMPONENTS		材質或型式 MATERIAL OR TYPE			等級 GRADE	號碼 UL No		
1	扇 框 FAN HOUSING		PBT70%+FIBER30% CHANG CHUN PBT4815			94-V0	E59481		
2	扇 葉 FAN BLADE		PBT 85%+FIBER15% CHANG CHUN PBT4815			94-V0	E59481		
3	絕緣架 INSULATOR FRAME		PBT 100% CHANG CHUN PBT4815			94-V0	E59481		
4	軸 芯 SHAFT		不鏽鋼 STAINLESS STEEL						
5	軸 承 BEARING		含油軸承 SLEEVE BEARING						
6	軸 承 BEARING		滾珠軸承 BALL BEARING						
7	橡膠磁鐵 PLASTIC MAGNET		鐵鈮粉末化合物 STRONTIUM FERRITE						
8	漆包線 ENAMELED WIRE		2 UEW				E106004		
9	矽鋼片 SILICON STEEL STRIP		H 23						
10	印刷線路板 P.C.B		單層印刷線路板			94-V0			
11	積體電路 HALL IC		236 OR 266 OR 276 OR 277 OR 211						
12	引 導 線 LEAD WIRES		L-250 mm			94-V0	E103485		
13	端 子 TERMINAL		2510 3P 反端						