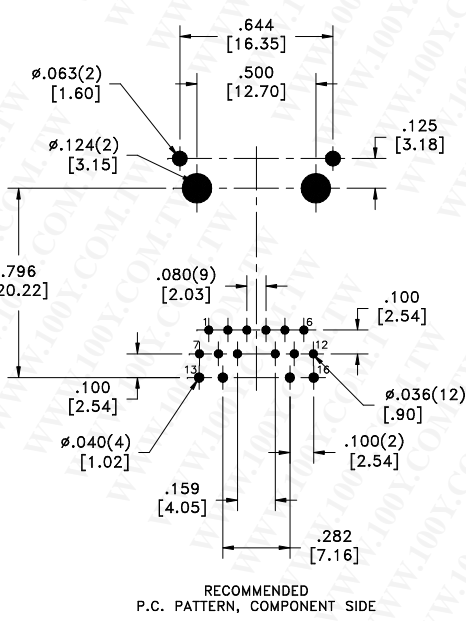
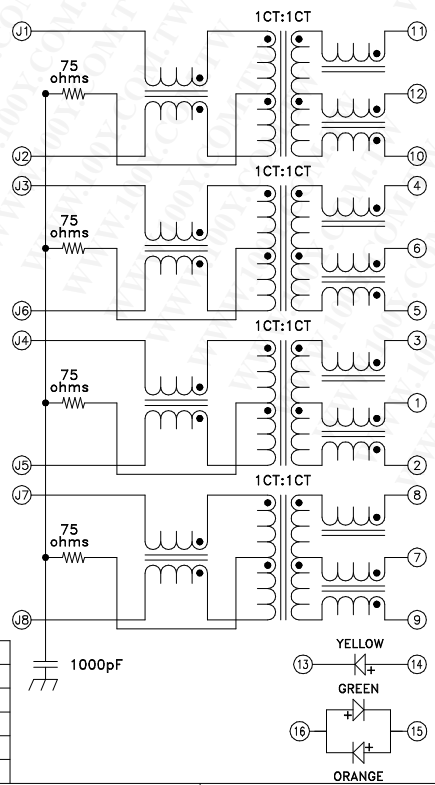
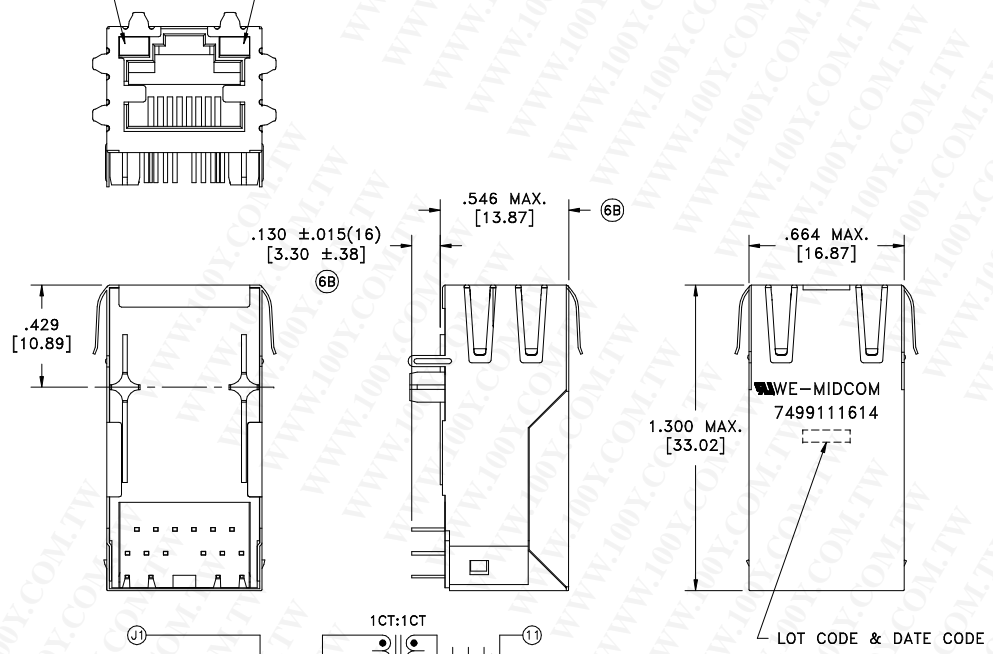


GREEN/ORANGE      YELLOW



**ELECTRICAL SPECIFICATIONS @ 25°C unless otherwise noted:**

PARAMETER	TEST CONDITIONS	VALUE
INDUCTANCE	J1-J2 100kHz, 100mVAC, 8mADC, Lp	350uH min.
INDUCTANCE	J3-J6 100kHz, 100mVAC, 8mADC, Lp	350uH min.
INDUCTANCE	J4-J5 100kHz, 100mVAC, 8mADC, Lp	350uH min.
INDUCTANCE	J7-J8 100kHz, 100mVAC, 8mADC, Lp	350uH min.
DIELECTRIC	P1-12 to J1-J8	-
		1500Vrms, 1 minute
URNS RATIO	Per schematic	-
INSERTION LOSS	1M - 100MHz	-1.0dB max.
RETURN LOSS	1M - 30MHz	-18dB min.
RETURN LOSS	30M - 60MHz	-15dB min.
RETURN LOSS	60M - 80MHz	-12dB min.
RETURN LOSS	80M - 100MHz	-10dB min.
CROSSTALK	1M - 100MHz	-30dB typ.
CMRR	1M - 100MHz	-35dB min.
CMRR	100M - 500MHz	-25dB min.

**GENERAL SPECIFICATIONS:**  
 OPERATING TEMPERATURE RANGE: 0°C to +70°C.

勝特力材料 886-3-5753170  
 勝特力电子(上海) 86-21-34970699  
 勝特力电子(深圳) 86-755-83298787  
[Http://www.100y.com.tw](http://www.100y.com.tw)

REV.	DATE
6B	12/08
6A	9/08

Packaging Specifications  
 Method: Tray  
 PKG-0573  
 www.midcom-inc.com

Unless otherwise specified:  
 Tolerances: Fractions: ±1/64  
 Angles: ±1° Decimals: ±.010 [.25]  
 This drawing is dual dimensioned. Dimensions in brackets are in millimeters.

DRAWING TITLE  
**TRANSFORMER GIGABIT**  
 eiSos p/n: 7499111614

Midcom   
 www.midcom-inc.com

DRAWING NO.  
**7499111614**  
 REVISIONS: SEE SHEET 1      SCALE ---      SHEET 2 OF 6

AGENCY NUMBER	UL60950-1 E205930
---------------	-------------------

# Mouser Electronics

Authorized Distributor

Click to View Pricing, Inventory, Delivery & Lifecycle Information:

[Wurth Electronics:](#)

[7499111614](#)