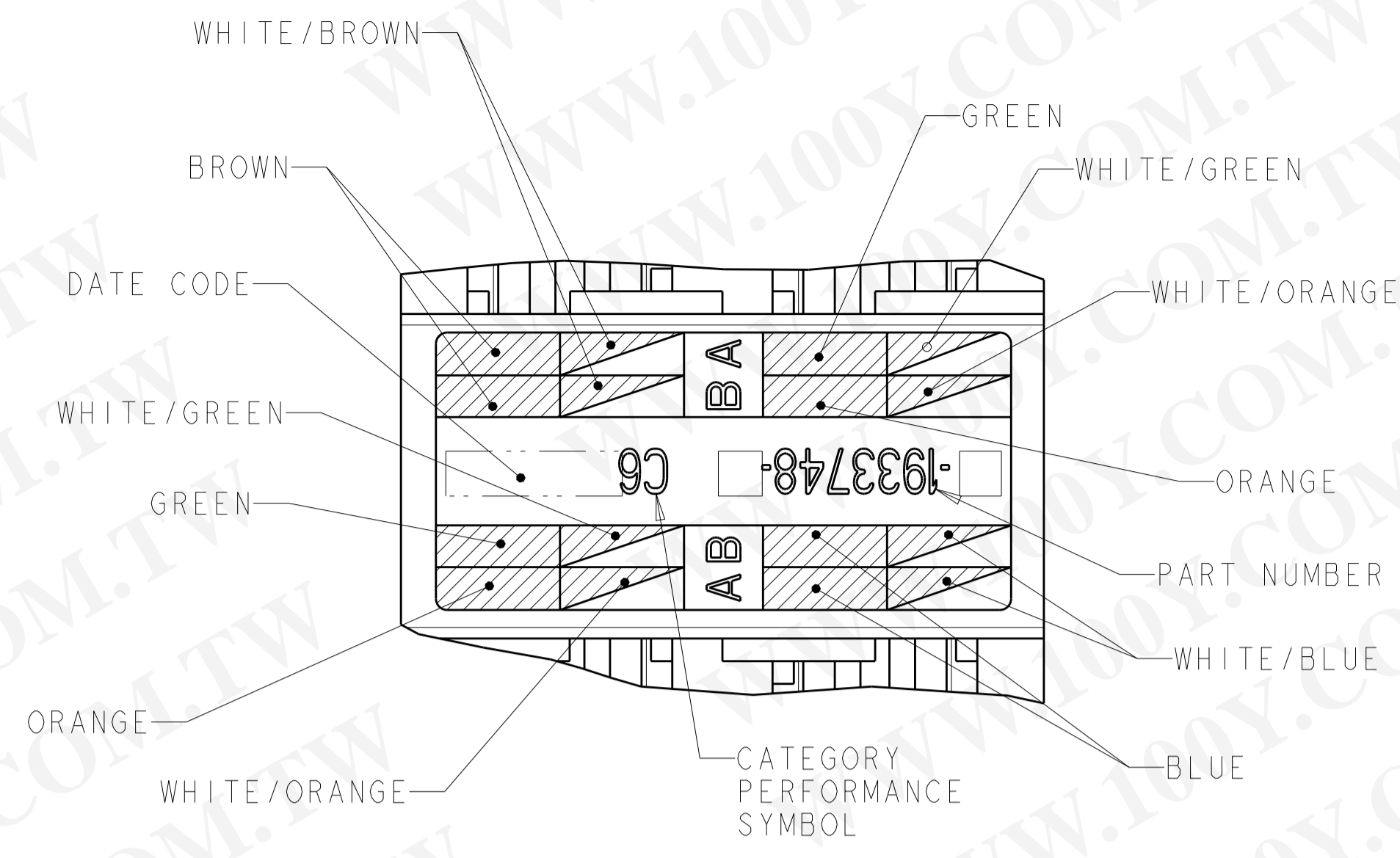
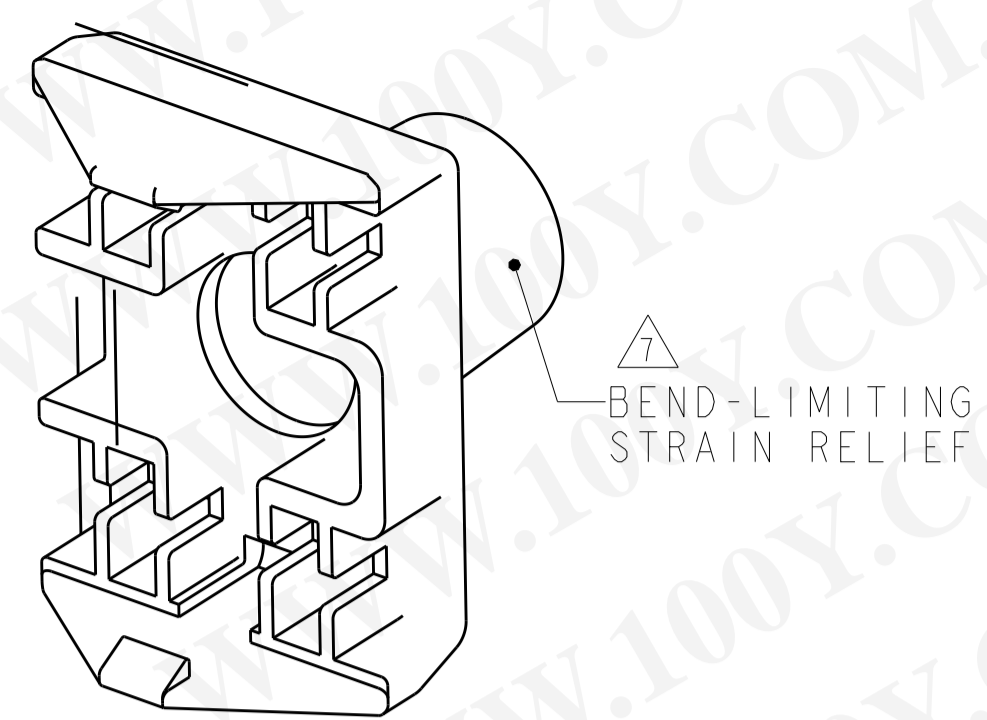
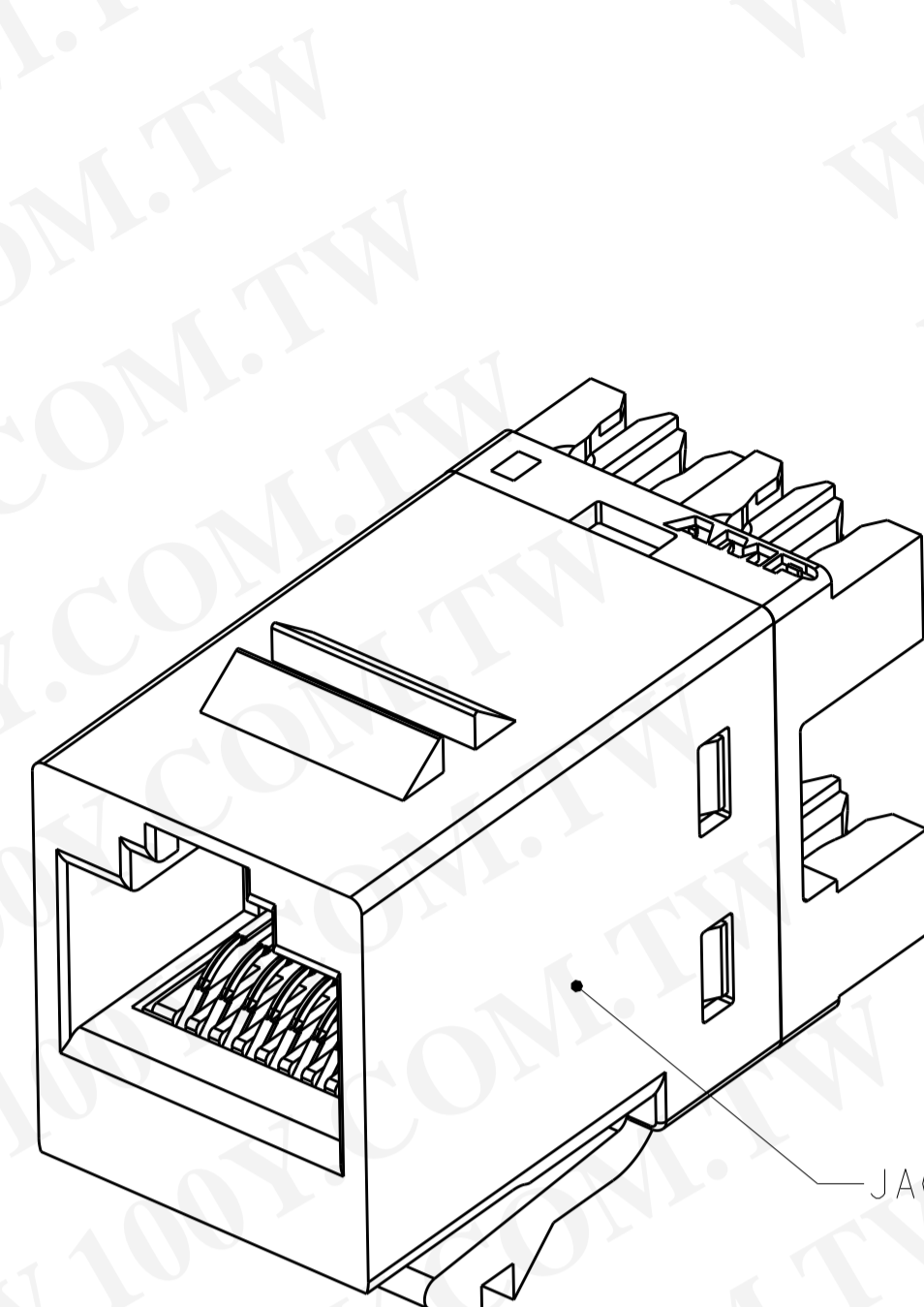
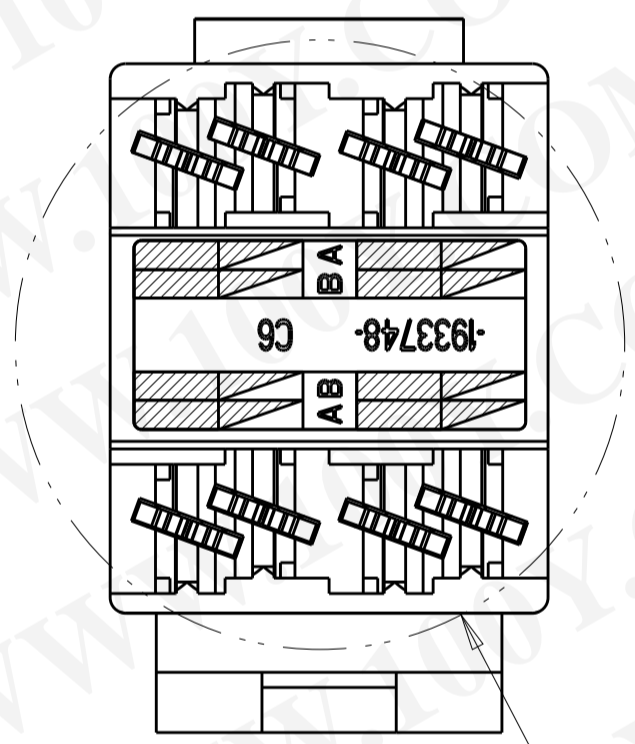
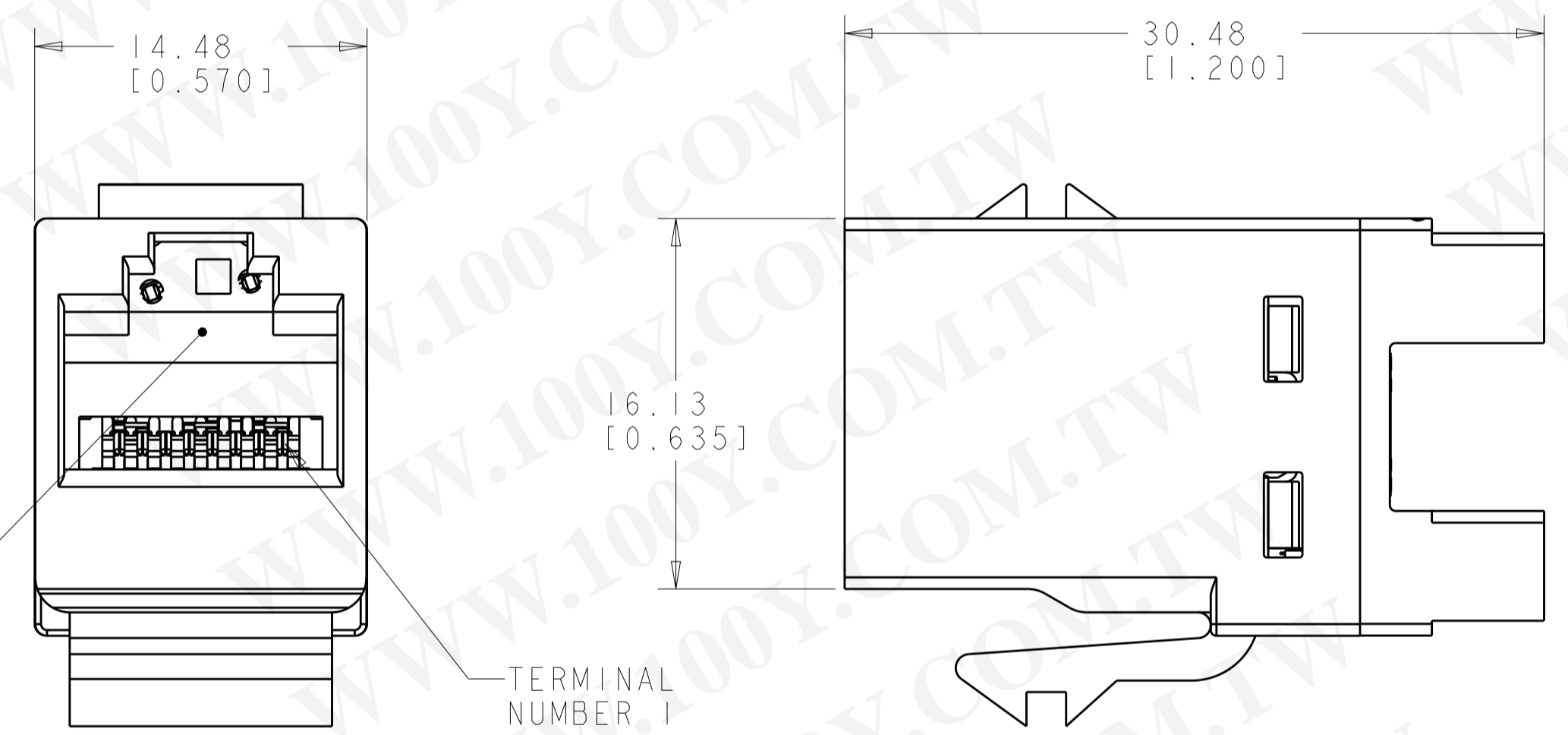


LOC	DIST	REVISIONS					
HM	00	REV	PER	ECO	DATE	OWN	APVD
F		REV PER	ECO-13-001468		29JAN2013	JM	SJ



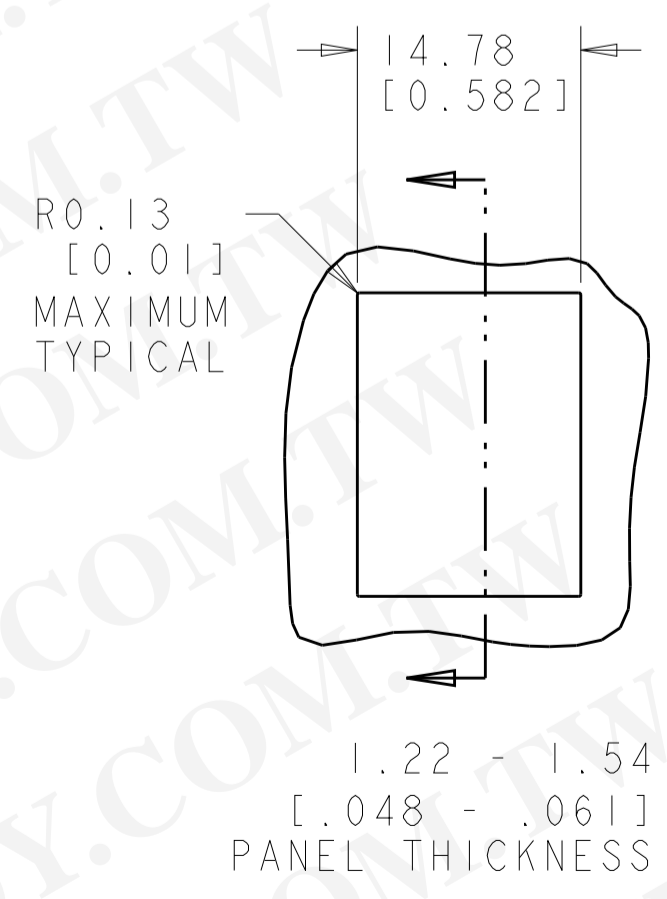
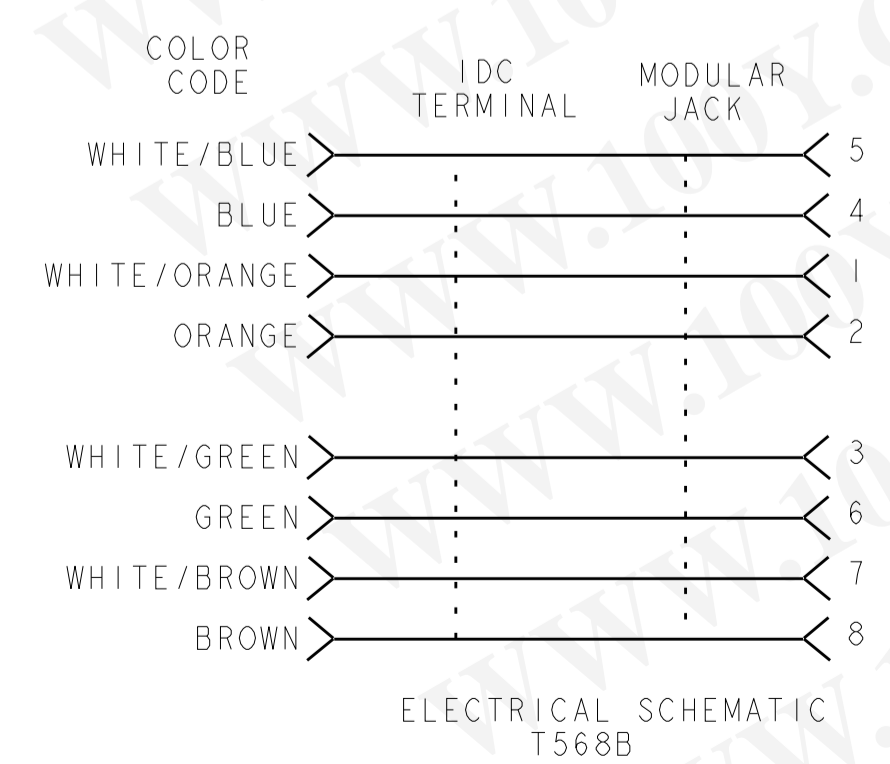
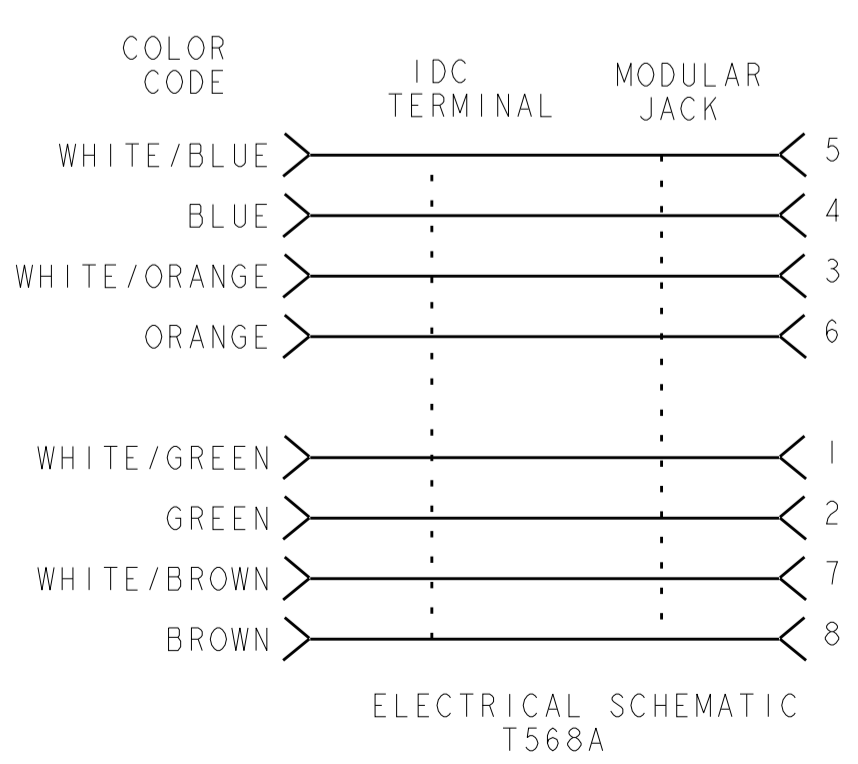
DETAIL A
SCALE 8:1

- 1. MATERIAL: JACK HOUSING - POLYCARBONATE, 94V-0 RATED. 110 BLOCK AND BEND LIMITING STRAIN RELIEF - POLYCARBONATE. ARRAY TRAY - PBT POLYESTER. JACK CONTACTS ARRAY - BERYLLIUM COPPER, PLATED WITH 1.27µm [0.00050] MINIMUM THICK GOLD IN LOCALIZED AREA AND 3.81µm [0.00150] MINIMUM THICK MATTE TIN IN INTERFACE AREA OVER 1.27µm [0.00050] MINIMUM THICK NICKEL UNDERPLATE. IDC TERMINALS - PHOSPHOROUS BRONZE, PLATED WITH 3.81µm [0.0015] MINIMUM THICK MATTE TIN OVER 1.27µm [0.0005] MINIMUM THICK NICKEL UNDERPLATE.
- 2. SL 110 JACK WILL TERMINATE 22-24 AWG SOLID AND 24-26 AWG STRANDED CONDUCTORS, 1.27[.050] MAXIMUM INSULATION DIAMETER. JACK WILL ACCEPT CONDUCTORS UP TO 1.45 [.057] BUT REQUIRE THE USE OF A STRAIN RELIEF.
- 3. CAVITY CONFORMS TO FCC RULES AND REGULATIONS PART 68 SUBPART F REQUIREMENTS.
- 4. MOUNTING PANEL THICKNESS 1.47 - 1.60 [.058 - .063].
- 5. THESE TWO SUGGESTED CUTOUT OPENINGS ARE USED IN TANDEM WITH DUAL FRONT AND BACK CUTOUTS.
- 6. ONE MODULAR JACK ASSEMBLY PER POLYBAG.
- 7. USE IS OPTIONAL.
- 8. TWENTY FIVE MODULAR JACKS PER POLYBAG.
- 9. REFER TO 408-8858 FOR TERMINATION INSTRUCTIONS USING SL SERIES TOOL TERMINATION. REFER TO 408-8417 FOR TERMINATION INSTRUCTIONS USING 110 PUNCH DOWN TOOL.
- 10. ONE MODULAR JACK ASSEMBLY PER POLYBAG, WITH SPECIAL LABELING FOR CHINA.

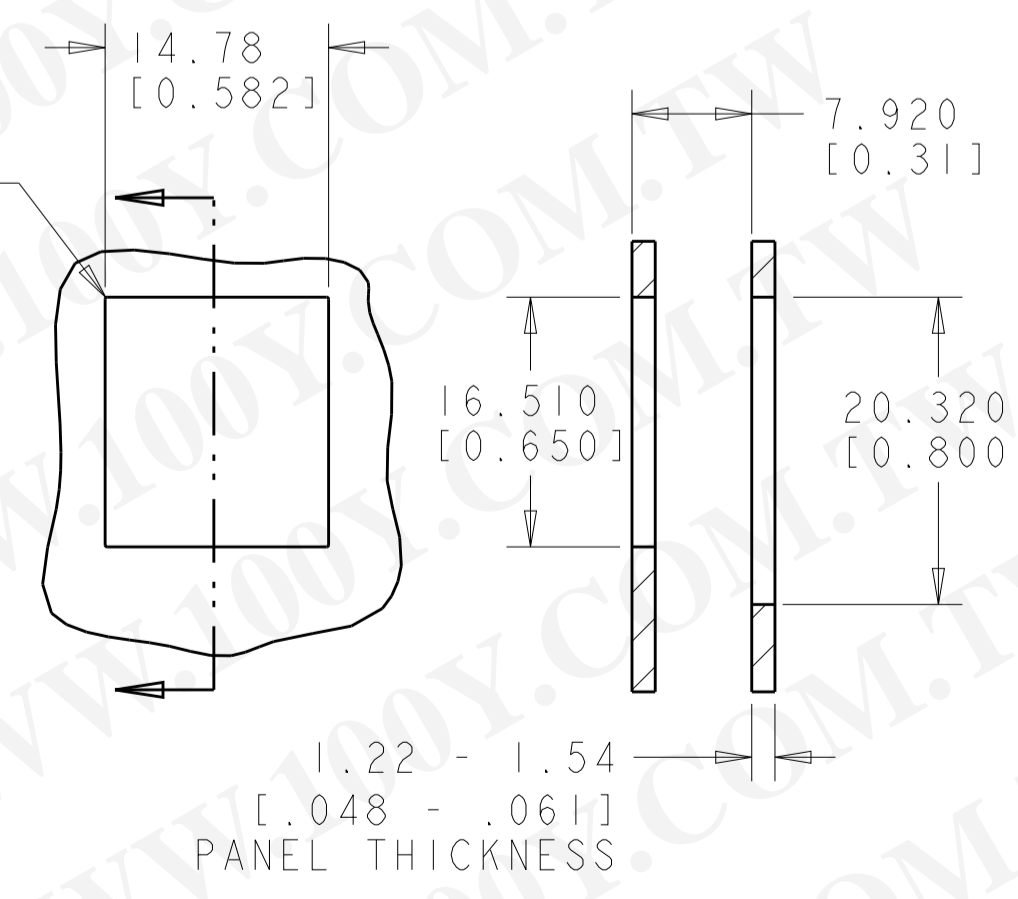


SEE DETAIL A

勝特力材料 886-3-5753170
勝特力电子(上海) 86-21-34970699
勝特力电子(深圳) 86-755-83298787
[Http://www.100y.com.tw](http://www.100y.com.tw)



SINGLE PANEL CUTOUT 5



SUGGESTED FLUSH MOUNT PANEL APPLICATION CUTOUT 5

PACKAGE			
10	8	6	-----
9-1933748-3	3-1933748-3	1-1933748-3	ALPINE WHITE
9-1933748-1	3-1933748-1	1-1933748-1	ELECTRIC IVORY
9-1933748-0	3-1933748-0	1-1933748-0	VIOLET
8-1933748-9	2-1933748-9	1933748-9	GREEN
8-1933748-8	2-1933748-8	1933748-8	YELLOW
8-1933748-7	2-1933748-7	1933748-7	RED
8-1933748-6	2-1933748-6	1933748-6	BLUE
8-1933748-5	2-1933748-5	1933748-5	ORANGE
8-1933748-4	2-1933748-4	1933748-4	GRAY
8-1933748-3	2-1933748-3	1933748-3	WHITE
8-1933748-2	2-1933748-2	1933748-2	BLACK
8-1933748-1	2-1933748-1	1933748-1	LIGHT ALMOND
PART NUMBER			HOUSING COLOR

THIS DRAWING IS A CONTROLLED DOCUMENT.		DWN J MCNEAL 21MAY2008 CHK S MULLR 21MAY2008 APVD S MULLR 21MAY2008	TE Connectivity
DIMENSIONS: MM [inches]	TOLERANCES UNLESS OTHERWISE SPECIFIED: 0 PLC ± 1 PLC ± 2 PLC ± 3 PLC ± 4 PLC ± ANGLES ±	NAME ASSEMBLY, SL 110 JACK, CAT 6 PRODUCT SPEC 108-1990-108-1990-3 APPLICATION SPEC 9 WEIGHT SIZE CAGE CODE DRAWING NO A100779C=1933748	
MATERIAL		FINISH	RESTRICTED TO
Customer Drawing		SCALE 4:1	SHEET 1 OF 1 REV F