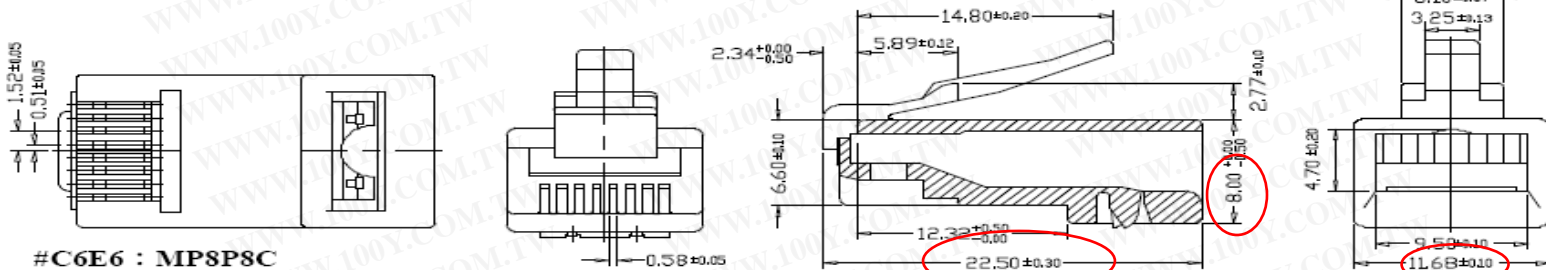
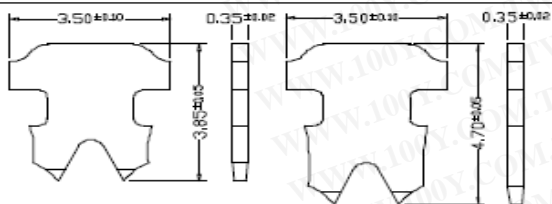


Modular plug,US type,8P8C,unshielded,round cable used,3 prog contact,50U" plating,2 piece construction for Cat.6 solid wire,100pcs/DINTEK PE bag

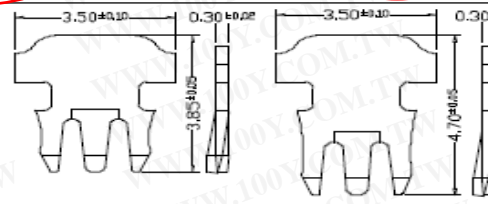
Date	Description	Rev.



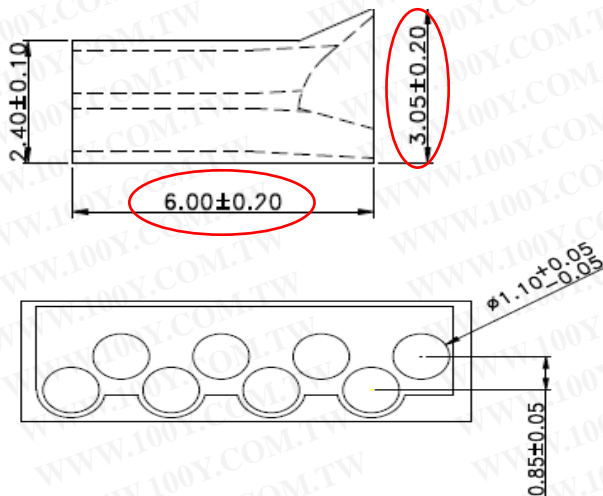
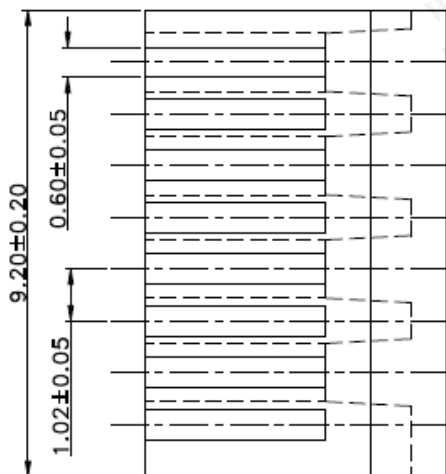
#C6E6 : MP8P8C



"2" : 2 PRONGS FOR STRANDED WIRE
多芯線用二叉型金片



"3" : 3 PRONGS FOR SOLID WIRE(S)
單芯線用三叉型金片



勝特力材料 886-3-5753170
 勝特力电子(上海) 86-21-34970699
 勝特力电子(深圳) 86-755-83298787
[Http://www.100y.com.tw](http://www.100y.com.tw)

DESCRIPTION:Cat.6 RJ45 plug unshielded 3 prong 2 piece solid wire		TOLERANCE
DRAWER Peter	APPROVE Jason	1-9MM+0.2MM 10-99MM+-1MM 100-999MM+-10MM 1000-9999MM+-100MM 10000-99999MM+-1000MM
PART NO 1501-88028	EDITION 0	
DATE: 2009.07.15	UNIT mm	
NOTE: THESE DRAWINGS AND SPECIFICATIONS ARE THE PROPERTY OF DINTEK ELECTRONIC LTD. AND SHALL NOT AND REPRODUCED COPIED OR USED IN ANY MANNER WITHOUT THE PRIOR WRITTEN CONSENT OF DINTEK ELECTRONIC LTD.		

VERSION: E