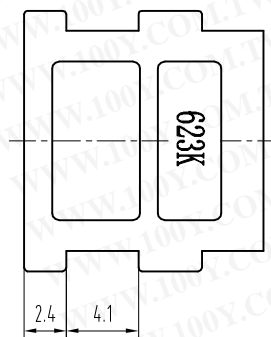
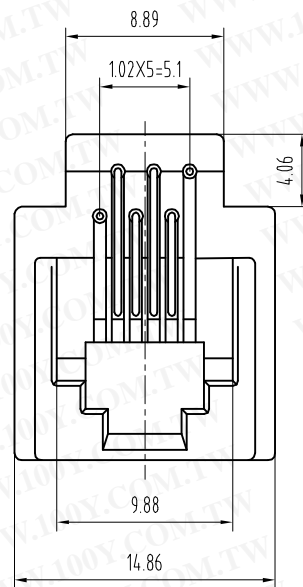
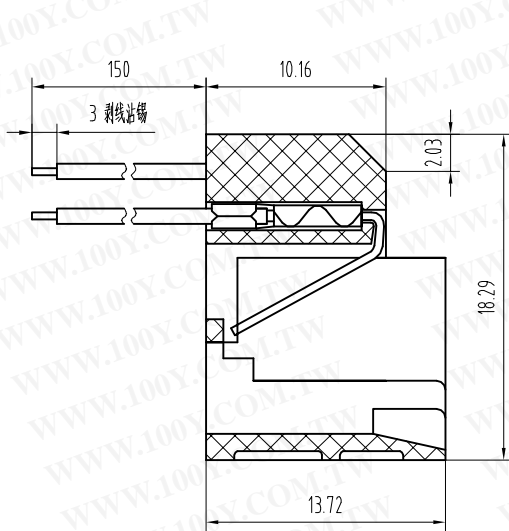
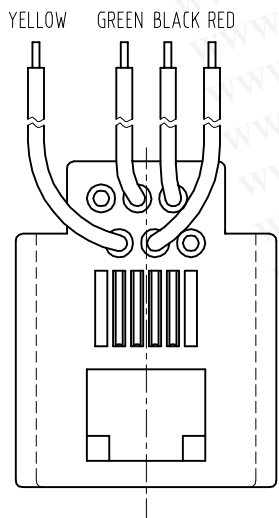


REVISION RECORD				
REV	ECO	DESCRIPTION	DRFT	CHKD



NOTES:

ELECTRICAL:

- 1.VOLTAGE RATING :125 VAC RMS.
- 2.CURRENT RATING :1.5 AMP.
- 3.CONTACT RESISTANCE :30 MILLIOHMS MAX.
- 4.INSULATION RESISTANCE :500 MEGOHMS MIN @ 500V DC .
- 5.DIELECTRIC STRENGTH :1000V AC RMS 50Hz. 1MIN.

MECHANICAL:

- 1.HOUSING MATERIAL :GLASS FILLED POLYESTER UL94V-0.
- 2.CONTACT MATERIAL :PHOSPHOR BRONZE  $\phi$ 0.46mm.
- 3.PLATING :GOLD PLATING OVER NICKEL.
- 4.WIRE STYLES: :UL 1061 26AWG STRANDS.
- 4.OPERATING :750 CYCLES MIN.

ENVIRONMENTAL:

- 1.Temperature Range : -40 $^{\circ}$ ~+85 $^{\circ}$
- 2.Relative Humidity : 90~95% (40 $\pm$ 2 $^{\circ}$ )

PART NUMBER:

DY9785-02 - X XX XX - X X X

Part Number

Point NO. 04-4 Point 06-6 Point 08-8 Point	Contact NO. 02-2 Contact 04-4 Contact 06-6 Contact 08-8 Contact	Gold Thickness 1-Fu" 2-3u" 3-6u" 4-15u" 5-30u" 6-50u"	Plastic 1-Nylon 66 2-Nylon 46 3-PBT 4-ABS	Part Color 1-Black 2-Gray 3-White 4-IV	Lo Go 1-W "ZQP" 2-W/O "ZQP"
---	---	---	---	--	-----------------------------------

勝特力材料 886-3-5753170  
 勝特力电子(上海) 86-21-34970699  
 勝特力电子(深圳) 86-755-83298787  
[Http://www.100y.com.tw](http://www.100y.com.tw)

DETACHED LISTS	mm (inch)		DFTO: ChenFeifei	DATE: 2005.01.01		
	Tolerance Except as Noted		CHKD:	DATE:		
	mm	±	MFO:	DATE:		
	0±0.2	±	APPVL:	DATE:		
	00±0.15	±	MATERIAL:			
	000±0.075	±	Q TY:	DRAWING NO.	SIZE	REV
	ANGLES ± 0.5		FINISH:	/PART NO.	A4	06/05/02
		SCALE: 2.5:1	DO NOT SCALE DRAWING	SHEET	OF	