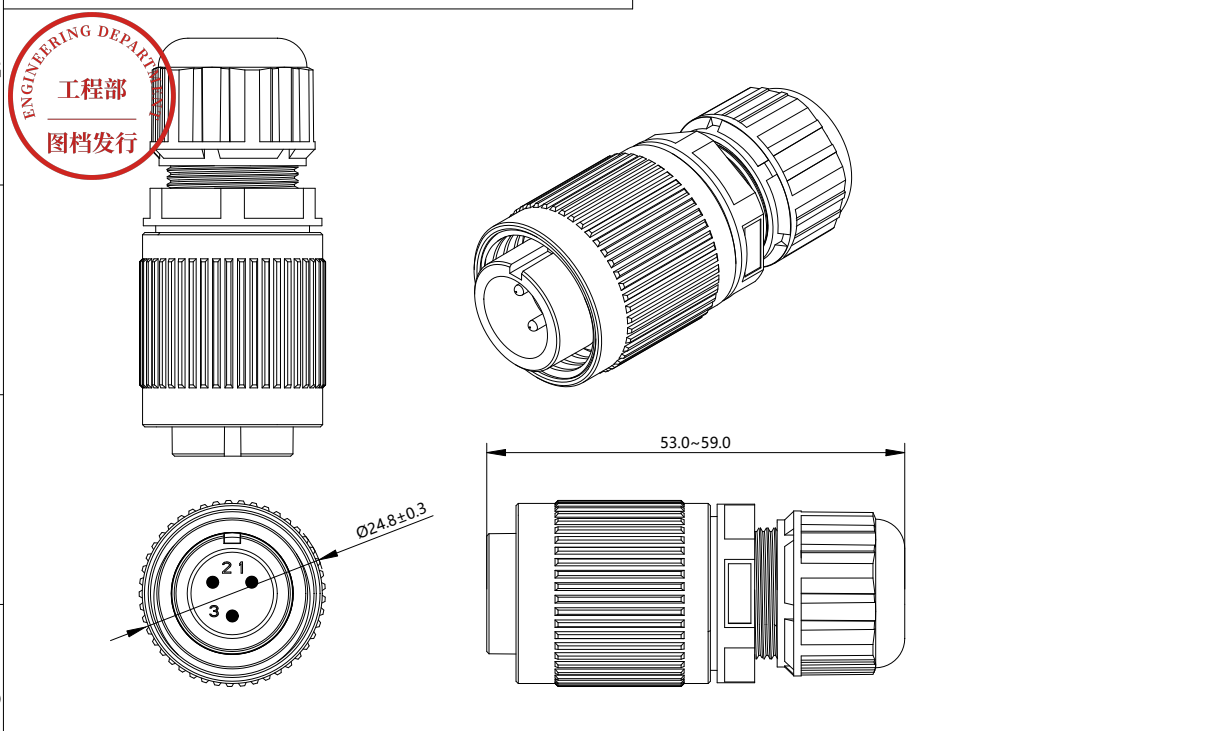


THIS INFORMATION IS CONFIDENTIAL AND IS DISCLOSED TO YOU ON CONDITION THAT NO FURTHER DISCLOSURE IS MADE BY YOU TO OTHER THAN LINKO ELECTRIC PERSONNEL WITHOUT WRITTEN AUTHORIZATION FROM LINKO CORP.

1 2 3 4 5 6

COPYRIGHT - 2023 BY LINKO ELECTRIC COPYRIGHT



表一：电气参数

芯数	2芯	3芯	4芯	5芯	7芯	8芯	9芯
公端 Male							
母端 Female							
额定电流 Rated current	10A		5A				
额定电压 Rated voltage	400V AC		250V AC				
耐压 (Max) Dielectric withstanding voltage	2000V AC		1500V AC				
接触阻抗 (Max) Contact resistance	3mΩ		5mΩ				
绝缘阻抗 (Min) Insulation resistance	500MΩ						
线规 Wire gauge	1.0~1.5mm ² /18~16AWG			0.34~0.5mm ² /22~20AWG			
接线方式 Terminal type	焊接/welding						
线缆直径 Cable OD	□ φ5.5~φ7.3mm			□ φ8.0~φ10.3mm			
紧固扭矩 Tightening torque	1.3N.M						
防护等级 IP code	对接状态IP65~IP68 (IP65标配/可选IP67&IP68) /IP65~IP68 mated(P65 Standard/IP67&IP68 Option)						
机械寿命 (Min) Operating cycles	500次						
工作温度 Operating temperature	-25°C ~ +85°C(标准塑胶款/Standard Plastic shell); -40°C ~ +85°C(定制塑胶款/Customized Plastic shell)						

7	8	9	10		
ECN NO.	REV.	MODIFICATION	DATE	DRAW	APPROVED
ECNXXXXXX	A1	初版发行	2023/11/28	杨今心	宋星亮

编码原则:
Part Number rules
YW-16-x xx PE-x x-0 xx x
1 2 3 4 5 6 7 8 9 10

- 产品系列: 以两个字母表示如LP/DH/BD/YF/YP/YW/YZ/LK....等
Product series represented by two capital letters such as LP/DH/BD/YF/YP/YW/YZ/LK, etc.
- 产品型号: 12/16/20/24/28.
Product size
- 公母类别: C=公针/端 J=母针/端 K=公母混合
Interface type C=male pin/end J=female pin/end K=both male and female pins
- 接口类别:
Interface type
 - 4.1电源&信号:非PIN针=00
Non-pin type=00
PIN针类: 01=单芯 02=2芯 03=3芯 04=4芯....
Pin type:01=single pin 02=2 pin 03=3 pin 04=4 pin.....
 - 4.2数据&信号类: USB\HDMI\RJ45\ (光纤: LC/FC/SC/ST/MPO/MTP等).
Signal class: USB\HDMI\RJ45\ (optical fiber: LC/FC/SC/ST/MPO/MTP, etc.)
数据&信号类范例:
Signal type example:USB3A 1 0 0

0	0接口	0	不防水	0	带PCB板
1	1接口	1	防水	1	带Hsg
2	2接口			2	口朝上
				3	直通式
				4	口朝下
				5	带胶芯
				6	胶芯带线

- 连接器类型 PE=插头 SX=插座 PP=对接插座
Connector Type PE=Plug SX=Receptacle PP= Floating connector
- 接线方式 0=焊接 1=压接 2=锁线 3=铆接 4=其它
Wiring method 0=Soldering 1=Cramping 2=Screwing 3=Riveting 4=Other
- 材料属性 1=塑胶+金属 2=全塑胶 3=全金属
Material 1=Plastic+metal 2=All plastic 3=All metal
- 特殊码 0=插头/对接插座 1=单孔直式插座 2=两孔法兰插座 4=四孔法兰插座
Special code 0=Plug/Floating connector 1=Single-hole straight receptacle 2=Two-hole flange receptacle 4=Four-hole flange receptacle
- 流水码 Streaming code :01-99
- 区别码空白或A~Z / Distinction code:blank or A-Z

勝特力電材超市-龍山店 886-3-5773766
 勝特力電材超市-光復店 886-3-5729570
 勝特力电子(上海) 86-21-34970699
 勝特力电子(深圳) 86-755-83298787
<http://www.100y.com.tw>

X.X±0.3 X°±3°
X.XX±0.15 X.XX°±1.0°
X.XXX±0.100 未注圆角R0.2
TOLERANCES UNLESS OTHERWISE SPECIFIED

DRAWN	杨今心	2023/11/28	TITLE: YW16型x插头塑胶+金属款
CHECKED	杨武	2023/11/28	
APPROVED	宋星亮	2023/11/28	
UNIT: mm	SIZE:A4	SHEET:1/1	P/N: LP-16-xxxPE-xx-0xxx
PORJ.		SCALE: /	A1

1 2 3 4 5 6 7 8 9 10