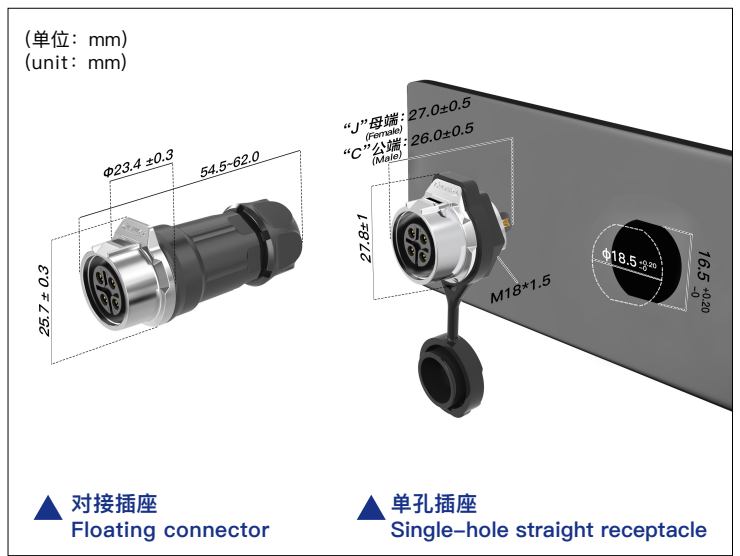
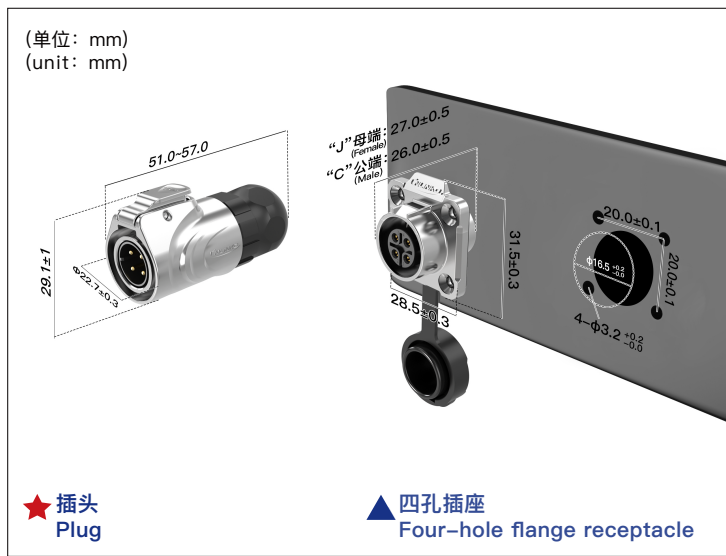


## ■ 优点 [Advantages]

- 1、全塑胶 / 全金属 / 半金属三种款型可选，可满足不同场景对抗干扰、高强度、高耐蚀等差异化诉求；
  - 2、采用一键按扣式锁紧方式，即插即用，快捷方便；
  - 3、精密防水设计，具备高防水等级，无惧涉水环境；
  - 4、采用高强结构材质，抗压结构设计，能承受更大的振动与冲击。
1. All-plastic/all-metal / semi-metallic three styles are optional, which can meet the differentiated demands of anti-interference, high strength and high corrosion resistance in different scenarios;
  2. Adopt one key press button locking method, plug and play, fast and convenient;
  3. Precision waterproof design, with high waterproof level, no fear of wading environment;
  4. Adopt high-strength structural materials, pressure-resistant structure design, can withstand greater vibration and shock.



## ■ 尺寸图 [Dimension Drawing]



## ■ 规格 [Specifications]

电气性能 Electrical		机械性能 Mechanical		环境性能 Environmental		材料 Material	
额定电流 Rated current	10A	耐久度 Min Operating cycles Min	500 次 500 times	防护等级 IP code	IP68	外壳 / 绝缘部分 Shell&insulated parts	锌合金 /PBT Zinc alloy/PBT
额定电压 Rated voltage	400V AC	线材规格 Max Wire gauge	1.0~1.5mm <sup>2</sup> / 18 ~16AWG	温升 Max Temperature rise Max	30k 30K	金属部分 Hardware metal	/
耐压 Withstand voltage	2000V AC	适用线径 Cable OD	φ7.0-φ9.0mm	工作温度 Operating temperature	-40°C~+85°C	接触件 Contact member	铜合金镀金 Copper alloy with gold plating
接触电阻 Max Contact resistance Max	3.0mΩ	接线方式 Terminal Type	焊接 Soldering			密封件 Sealing strip	橡胶 rubber
绝缘电阻 Min Insulation resistance(Min)	500MΩ						
接触件 Contact diameter	φ1.5*4						

## ■ 多种模块组合 [Multiple Module Combinations]

模块 Pin Number	2PIN	3PIN	4PIN	5PIN	7PIN	8PIN	9PIN						
额定电流 Current rated	10A	10A	10A	5A	5A	5A	5A						

具体料号可扫码咨询客服了解。  
Specific part number can scan code consult customer service to understand.