

LP-20
 PAGE 15-21



LP-24
 PAGE 22-31



DH-20/24
 PAGE 32-39



YF-24
 PAGE 40-45



YA-20
 PAGE 46-51



YP-20
 PAGE 52-57



YM-20
 PAGE 58-63



YW-20
 PAGE 64-69



YW-16
 PAGE 70-74



YZ-20
 PAGE 75-81



YT-RJ45
 PAGE 82-91



YU-USB
 PAGE 92-96



产品线材
 PAGE 97-100



简易锁
 EASY LOCK
 PAGE 101-102



IEC 60309
 PAGE 103-113



LP-20

防水连接器
WATERPROOF CONNECTOR

简介

INTRODUCTION

LP-20系列连接器一直以其高精密，高品质的自动插拔，自锁装置被广泛应用在各种具有挑战性的环境和场合，诸如：LED屏行业，视听设备，医疗设备，工业控制，检测和测量设备，AV系统，广播电视与通讯行业等领域。

简洁的操作，快速稳定的连接装置，具有挑战性的户外防水性能。

LP-20 Series connector is widely used in variety of challenging environments due to its high-precision,high-quality automatic insertion,self-locking devices and waterproof,such as:LED screen industry,audio-visual equipment,medical equipment,industrial control,test and measurement equipment,AV Systems,broadcast television and communications industry and other fields.





LP-20-C03PE-01-001
公头 Male plug



LP-20-J03PP-01-001
对接头 Connection



LP-20-J03SX-01-001
母座 Female socket

- 多款式的内芯设计 (2-12芯)，符合多样性的工业需求，信号及电源同时兼容匹配。
- 锌合金的座子及内部构件材质，具有完整的电磁及射频干扰保护。
- 镀金触点，高强的耐腐蚀性及导电性，有效应对电流产生的升温变化。
- PBT材质外壳，稳定的电气性能，高强的抗耐压，抗高温，抗爆，抗腐蚀性。
- 独特的对接设计，稳固的无限线长的延伸。
- 4孔安装，稳固无懈可击，螺牙式座子安装，适合于圆形开孔工业安装。
- 20A rms 的额定电流。
- IP65/IP67
- 如果需要更高防护等级，请联系业务员。

- Multi-core design styles (2-12 cores), in line with the diversity of industrial demand, signal and power compatible match
- Socket and internal components zinc alloy material, with a complete electromagnetic and radio frequency interference protection
- Gold-plated contacts, high-strength corrosion resistance and electrical conductivity, effective response to temperature changes in current
- PBT material shell, stable electrical performance, high strength and resistance to pressure, high temperature resistance, anti-explosion, anti-corrosive
- Unique docking design, a solid line extends infinitely long
- 4-hole mounting, solid flawless, thread type transposon installation, suitable for circular openings industrial installation
- 20A rms rated current
- Protection Level: IP65/IP67
- pls indicate if you need the protection level more high



LP-20-J03SX-01-001
母座 Female socket



LP-20-J03SX-01-001
防水盖 Protective cover

LP-20公头母座
LP-20 MALE PLUG AND FEMALE SOCKET



LP-20-C03PE-01-001



LP-20-C04PE-01-001



LP-20-C02PE-01-001



LP-20-C05PE-01-001



LP-20-C07PE-01-001



LP-20-C09PE-01-001



LP-20-C12PE-01-001

LP-20母头公座
LP-20 FEMALE PLUG AND MALE SOCKET



LP-20-J03PE-01-001



LP-20-J04PE-01-001



LP-20-J02PE-01-001



LP-20-J05PE-01-001



LP-20-J07PE-01-001



LP-20-J09PE-01-001



LP-20-J12PE-01-001



独立的CNLINKO设计
CNLINKO Design



镀金触点
Gold-plated Copper Contact



剖槽式母针设计
Groove Female Design



独立的CNLINKO设计加固锁
CNLINKO Design With Reinforce Lock

LP-20 系列产品规格参数表
LP-20 SERIES SPECIFICATIONS SHEET

芯数 PINS	2芯 2PINS	3芯 3PINS	4芯 4PINS	5芯 5PINS	7芯 7PINS	9芯 9PINS	12芯 12PINS							
产品图 PICTURE	正装 Male plug & Female socket		反装 Female plug & Male socket											
	 LP-20-C02PE-01-001 公头 male plug	 LP-20-C03PE-01-001 公头 male plug	 LP-20-C04PE-01-001 公头 male plug	 LP-20-C05PE-01-001 公头 male plug	 LP-20-C07PE-01-001 公头 male plug	 LP-20-C09PE-01-001 公头 male plug	 LP-20-C12PE-01-001 公头 male plug							
	 LP-20-J02PP-01-001 对接母头 connection female plug	 LP-20-J03PP-01-001 对接母头 connection female plug	 LP-20-J04PP-01-001 对接母头 connection female plug	 LP-20-J05PP-01-001 对接母头 connection female plug	 LP-20-J07PP-01-001 对接母头 connection female plug	 LP-20-J09PP-01-001 对接母头 connection female plug	 LP-20-J12PP-01-001 对接母头 connection female plug							
	 LP-20-J02SX-01-001 母座(法兰) female socket (french)	 LP-20-J03SX-01-001 母座(法兰) female socket (french)	 LP-20-J04SX-01-001 母座(法兰) female socket (french)	 LP-20-J05SX-01-001 母座(法兰) female socket (french)	 LP-20-J07SX-01-001 母座(法兰) female socket (french)	 LP-20-J09SX-01-001 母座(法兰) female socket (french)	 LP-20-J12SX-01-001 母座(法兰) female socket (french)							
	 LP-20-J02PE-01-001 母头 female plug	 LP-20-J03PE-01-001 母头 female plug	 LP-20-J04PE-01-001 母头 female plug	 LP-20-J05PE-01-001 母头 female plug	 LP-20-J07PE-01-001 母头 female plug	 LP-20-J09PE-01-001 母头 female plug	 LP-20-J12PE-01-001 母头 female plug							
	 LP-20-C02PP-01-001 对接公头 connection male plug	 LP-20-C03PP-01-001 对接公头 connection male plug	 LP-20-C04PP-01-001 对接公头 connection male plug	 LP-20-C05PP-01-001 对接公头 connection male plug	 LP-20-C07PP-01-001 对接公头 connection male plug	 LP-20-C09PP-01-001 对接公头 connection male plug	 LP-20-C12PP-01-001 对接公头 connection male plug							
	 LP-20-C02SX-01-001 公座(法兰) male socket (french)	 LP-20-C03SX-01-001 公座(法兰) male socket (french)	 LP-20-C04SX-01-001 公座(法兰) male socket (french)	 LP-20-C05SX-01-001 公座(法兰) male socket (french)	 LP-20-C07SX-01-001 公座(法兰) male socket (french)	 LP-20-C09SX-01-001 公座(法兰) male socket (french)	 LP-20-C12SX-01-001 公座(法兰) male socket (french)							
排列图														
线材规格	Cable specification	2.5m ² ~ 4m ² / 14 ~ 12 AWG			1.0m ² ~ 1.5m ² / 18 ~ 16 AWG		0.15m ² ~ 0.2m ² / 26-24 AWG							
线径范围	Diameter range	Φ8mm ~ Φ12mm			Φ7mm ~ Φ9mm		Φ5.5mm ~ Φ7mm							
接触面直径×数量	Contact diameter × number	Φ2.7×2	Φ2.7×3	Φ2.7×4	Φ2.0×5	Φ2.0×7	Φ1.0×9	Φ1.0×12						
额定电流(A)	Rated Current (A)	20A			12A		5A							
工作电压(AC.V.RMS)	Operating voltage (AC.V.RMS)	500V			500V		400V							
接触电阻	Contact resistance	<1mΩ			<2.5mΩ		<5mΩ							
温升	Temperature rise	20A时温升在30℃以下 (20A contact temperature below 30℃), 25A.....40℃I, 30A.....50℃I.			12A.....30℃I, 15A.....40℃I, 20A.....50℃I.		/							
耐压(AC.V)1分钟	Withstanding Voltage (AC.V) 1 minute	2500V			2500V		1500V							
绝缘电阻	Insulation resistance	> 500MΩ			> 500MΩ		> 500MΩ							
防护等级	Protection level	IP65/IP67			IP65/IP67		IP65/IP67							
耐久次数	Durability	≥500次			≥500次		≥500次							
工作温度	Working temperature	-40℃ ~ 80℃			-40℃ ~ 80℃		-40℃ ~ 80℃							
连接方式	Connecting mode	快速插拔连接 Plug/unplug			快速插拔连接 Plug/unplug		快速插拔连接 Plug/unplug							
接线方式	Assembly wire	焊接式 solder			焊接式 solder		焊接式 solder							
材料														
外壳、绝缘部件	Housing, the insulating parts	高性能工程塑料 High-performance engineering plastics			高性能工程塑料 High-performance engineering plastics		高性能工程塑料 High-performance engineering plastics							
五金	Hardware	锌合金(珍珠硬铬) Zinc Alloy (pearl hard chrome)			锌合金(珍珠硬铬) Zinc Alloy (pearl hard chrome)		锌合金(珍珠硬铬) Zinc Alloy (pearl hard chrome)							
铜针	Copper needles	铜合金(镀金4U) Copper alloy (gold-plated 4U)			铜合金(镀金2U) Copper alloy (gold-plated 2U)		铜合金(镀金2U) Copper alloy (gold-plated 2U)							
防水圈	Waterproof circle	硅胶 Silica gel			硅胶 Silica gel		硅胶 Silica gel							
阻燃等级	Flammability rating	UL94-V0 UL94-V0			UL94-V0 UL94-V0		UL94-V0 UL94-V0							

型号标志代号 MODEL CODE

产品系列
Product series
YA YP YW YM
YK YF LP YZ

铜针类别
Type of needle

C-公针 male pin
J-母针 female pin
K-公母针 male&female pin
R-RJ45
U-USB
F-光纤 fibre optics

接线方式

Connecting of wire
0-焊接 solder
1-压接 pressure
2-锁线 lock
3-铆接 rivet
4-其他 others

特殊码颜色

special code
材料 material
颜色 color

LP 20 C03 PE 01 001

空位安装尺寸
Installation size
16 20 24 36

铜针的芯数
No.of pins
02-2芯 2 pin
03-3芯 3 pin
04-4芯 4 pin
05-5芯 5 pin
07-7芯 7 pin
09-9芯 9 pin
12-12芯 12 pin

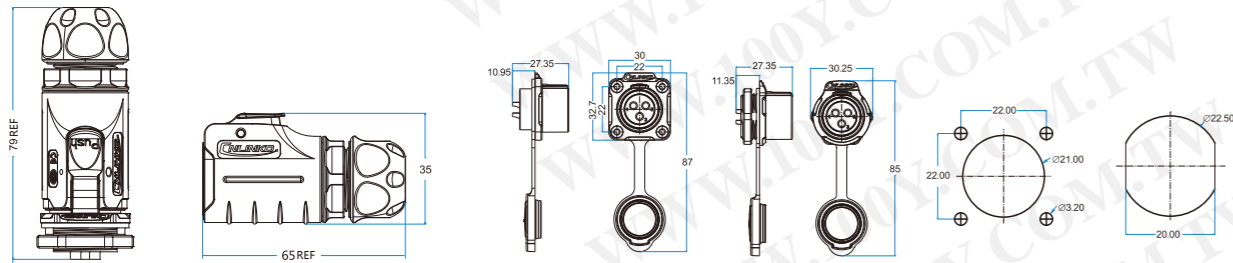
类别
Gender
PE-插头 plug
SX-插座 socket
PP-对接 connecting/dock

区分码
Generation
产品升级 for update

连接方式 CONNECTION SCHEMES



外形尺寸图 DIMENSION FIGURE



产品外型尺寸图
dimensions figure

夹爪紧固式插头PE (外型尺寸图)
PE clamping cable plug
(dimensions figure)

插座 SX (外型尺寸图)
SX socket (dimensions figure)

安装开孔图
Installation hole figure



胜特力材料 886-3-5753170
胜特力电子(上海) 86-21-34970699
胜特力电子(深圳) 86-755-83298787
[Http://www.100y.com.tw](http://www.100y.com.tw)

LP-24

防水连接器
WATERPROOF CONNECTOR

简介

INTRODUCTION

LP-24系列产品, 款式多样, 含有RJ45, USB, 电源, 光纤等型号, 以24MM的孔位尺寸满足工业的特定需求, 并使用镀镍的合金端子及内牙, 满足品质的同时更符合国际的工业设备的环保使用要求。

LP24系列具有多行业延展, USB、电信、信号、光纤、HDMI等, 并可根据客户定制特种、P针系列, 如: 3PIN POWER+9PIN SIGNAL.....

LP-24 Series of products, containing RJ45, USB, power, fiber optics and other models with hole size 24MM to meet different needs of industry, and we use Zinc alloy with nickel-plated to guarantee quality and apply with International environment protection of Industrial equipment as well.

LP24 series with multi-industry extension, USB, telecommunications, signal, fiber optic, HDMI, etc., and customized specialty, pin series, such as: 3pin, power +9 pin, signal

胜特力材料 886-3-5753170
胜特力电子(上海) 86-21-34970699
胜特力电子(深圳) 86-755-83298787
Http://www.100y.com.tw



LP-24-C03PE-01-001
3芯公头 3Pins Male plug



LP-24-J03SX-01-001
3芯母座 3Pins Female socket



LP-24-RJ45-P01 插头 Plug



LP-24-RJ45-S01 插座 Socket

- 支持24MM的安装孔位尺寸。
- 弹簧按扣式设计，紧锁对接，安全牢固。
- 多款式选择（光纤，USB，RJ45，电源）适应不同的工业需求。
- 稳定的电源及信号传输，电源多芯正装及反装设计（剖槽可选）。
- 电源母针的线簧技术设计，更符合稳定的电流传输及低温升变化。
- 电源铜针压接及焊接可选连接方式，完全符合户外的安装作业。
- 连装状况下的防尘防水等级符合IP65/IP67。
- UL认证。
- 如果需要更高防护等级，请联系业务员。
- 24MM Installation hole figure
- Easily lock by Plug/unplug snap-fastener, ensure safe and stable
- Varies types for choice, include power, signal, USB,RJ45,fibre optics, meet different industrial demands
- Stable power and signal transmission, multi-pins power (2-12 pins) with positive and negative type
- Formed wire technology on pins keep much stable while transmit and temperature rise
- Solder and pressure on copper needles completely comply with outdoor installation
- Protection level : IP65/IP67
- UL certification
- pls indicate if you need the protection level more high



- 低而稳定的接触电阻。
- 使用锌合金外壳材质，高频噪音免疫和电磁干扰保护。
- 弹簧按扣式锁固，操作简易，安全稳固。
- 独特的专利性直连式网口设计，减少PCB的转接及焊线。
- 硅胶材质的夹线设计，柔软且具延伸性，有效对线材进行保护。
- 连接状态下防护等级符合IP65/IP67。
- 标配不包括水晶头及网线。
- 如果需要更高防护等级，请联系业务员。
- Low and stable contact resistance
- Zinc alloy shell material, high-frequency noise immunity and electromagnetic interference protection
- Snap-fastener lock, easy and simple operation, safe and stable
- Our unique patented design--direct type ports avoid PCB switch and PCB solder
- Clamp design with silicone material -soft and extension ,protect cable well
- Protection level:IP65/IP67
- Not include crystal head and cable
- pls indicate if you need the protection level more high



镀金铜针
Gold plated copper pins



独特的产品型号标识
unique symbol



线簧的母针设计(可选)
formed wire pins (Optional)



人体工程学按扣设计
ergonomically design snap button



标准端口水晶头
standard crystal head



型号标识
model symbol



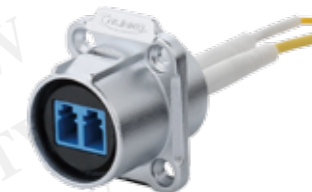
LP-24-USB3.0-P01 插头 Plug



LP-24-USB3.0-S01 插座 Socket



LP-24-F00PE-P01
光纤插头 Fibre optics plug



LP-24-F00SX-S01
光纤插座 Fibre optics socket

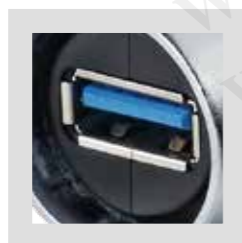
- USB 3.0支援全双工兼容USB2.0，数据传可达600MB/s。
- 使用锌合金材质，高频噪音免疫和电磁干扰保护。
- 硅胶材质的夹线套，有效实现对线材的防护。
- 连接状态下防护等级符合IP65/IP67。
- 插头标线（0.5M长）设置，操作简易。
- 如果需要更高防护等级，请联系业务员。

- USB 3.0 fully compatible with USB2.0, data transfer up to 600MB / s
- Zinc alloy material against high frequency noise and electromagnetic interference
- Silica gel material clamp protect wire
- Protection level:IP65/IP67
- Standard 0.5M cable of plug
- pls indicate if you need the protection level more high

- 结实耐用并具的防尘保护的双通道光纤连接系统。
- 使用锌合金外壳材质，具有坚硬的外壳和超强的光缆保护力。
- 尾部硅胶夹线圈，可分不同线径的光纤进行夹持固定，固紧强度高、稳定性好减小向后的拉力，避免对光信号损耗中断影响。
- 夹头推进固紧系统保证光纤与陶瓷对准插针轴向、径向位置精密定位，确保与另一个对接的插针面弹性密贴，彻底杜绝假对接，设计插损小于0.3db,回损大于45。
- 可在产品全寿命过程中保证高的接续可靠性，并在特殊情况下(受潮、污染等)，可由用户自行清洗处理，无须工程人员介入，维护费用低。
- 连接状态下防护等级符合IP65/IP67。
- 如果需要更高防护等级，请联系业务员。
- Durable and dust protection with dual-channel fiber optic connection system
- Zinc alloy shell material with a hard shell and superior cable protection force
- Silicone tail clip coil diameter of the optical fiber can be divided into different holding fixed, high fastening strength and stability to reduce back tension, to avoid disruption of optical signal loss
- Chuck propulsion fastening system to ensure alignment of fiber and ceramic pin axial, radial position precision positioning to ensure flexibility and another pin face of tight butt, butt eradicate fake, designed insertion loss less than 0.3db, back loss greater than 45
- Ensure the product life-cycle process of continuation high reliability, and in exceptional circumstances (moisture, pollution, etc.), user self-cleaning process, no engineering staff intervention, low maintenance costs
- Protection level:IP65/IP67
- pls indicate if you need the protection level more high



人性化的按钮设计
Personal design- snap button



标准的3.0端口
standard 3.0 port



清晰的产品型号标识
clear model symbol



标准的卡口设计
Standard bayonet design



光纤端口
fibre optics port



型号标识
model symbol

LP-24 系列产品规格参数表
LP-24 SERIES SPECIFICATIONS SHEET

产品类型	PIN针正装		PIN针反装		RJ45	USB	光纤 Fibre optics
产品图 PICTURE							

排列图							
线材规格	Cable specification	2.5mm ² ~ 4mm ² / 14 ~ 12 AWG		0.15mm ² ~ 0.2mm ² / 26-24 AWG			
线径范围	Diameter range	Φ8mm ~ Φ12mm		Φ5.5mm ~ Φ7mm			
接触件直径×数量	Contact diameter × number	3.0 × 3		8PIN	9PIN (3.0) & 4PIN (2.0)	2	
额定电流(A)	Rated Current (A)	20A		1.5A		/	
工作电压(AC.V.RMS)	Operating voltage (AC.V.rms)	500V		/		/	
接触电阻	Contact resistance	<1mΩ		<30mΩ		/	
温升	Temperature rise	20A时温升在30℃以下 (20A contact temperature below 30℃) , 25A.....40℃I , 30A.....50℃I.		/		/	
耐电压(AC.V)1分钟	Withstanding Voltage (AC.V) 1 minute	2500V		1000V		/	
绝缘电阻	Insulation resistance	> 500MΩ		> 500MΩ		/	
防护等级	Protection level	IP65/IP67		IP65/IP67		/	
耐久次数	Durability	> 500次		> 500次		/	
工作温度	Working temperature	-40℃ ~ 80℃		-40℃ ~ 80℃		/	
连接方式	Connecting mode	快速插拔连接	Plug/unplug	快速插拔连接	Plug/unplug	/	
接线方式	Assembly wire	焊接式	solder	/		/	

材料							
外壳、绝缘部件	Housing, the insulating parts	高性能工程塑料	High-performance engineering plastics	高性能工程塑料	High-performance engineering plastics		
五金	Hardware	锌合金(珍珠硬铬)	Zinc Alloy (pearl hard chrome)	锌合金(珍珠硬铬)	Zinc Alloy (pearl hard chrome)		
铜针	Copper needles	铜合金(镀金4U)	Copper alloy (gold-plated 4U)	铜合金(镀金6U)	Copper alloy (gold-plated 6U)		
防水圈	Waterproof circle	硅胶	Silica gel	硅胶	Silica gel		
阻燃等级	Flammability rating	UL94-V0	UL94-V0	UL94-V0	UL94-V0		

型号标志代号 MODEL CODE

产品系列
Product series
YA YP YW YM
YK YF LP YZ

LP

24

C03

PE

01

001

空位安装尺寸
Installation size
16 20 24 36

铜针的芯数
No. of pins
02-2芯 2 pin
03-3芯 3 pin
04-4芯 4 pin
05-5芯 5 pin
07-7芯 7 pin
09-9芯 9 pin
12-12芯 12 pin

类别
Gender
PE-插头 plug
SX-插座 socket
PP-对接 connecting/dock

区分码
Generation
产品升级 for update

铜针类别
Type of needle

C-公针 male pin
J-母针 female pin
K-公母针 male&female pin
R-RJ45
U-USB
F-光纤 fibre optics

接线方式
Connecting of wire

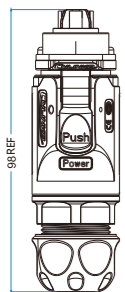
0-焊接 solder
1-压接 pressure
2-锁线 lock
3-铆接 rivet
4-其他 others

特殊码颜色
special code
材料 material
颜色 color

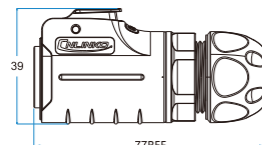
连接方式 CONNECTION SCHEMES



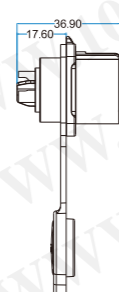
外形尺寸图 DIMENSION FIGURE



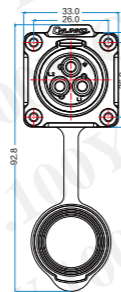
产品外型尺寸图
dimensions figure



夹爪紧固式插头PE (外型尺寸图)
PE clamping cable plug
(dimensions figure)



插座 SX (外型尺寸图)
SX socket (dimensions figure)



安装开孔图
Installation hole figure



连接方式 CONNECTION SCHEMES LP-24RJ45



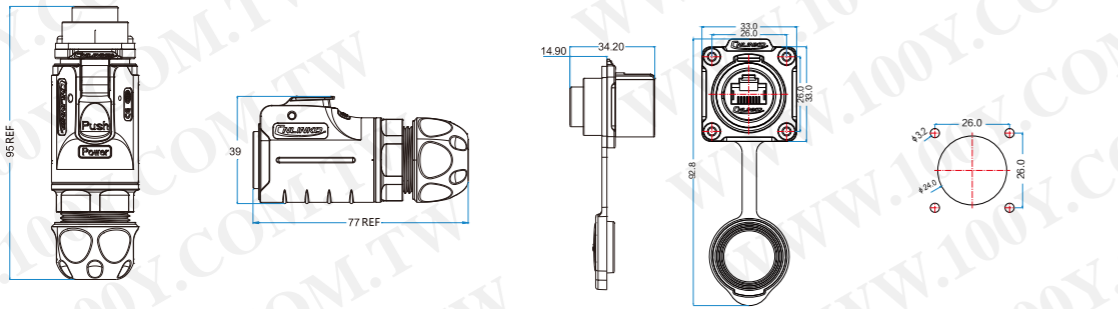
连接方式 CONNECTION SCHEMES LP-24USB



连接方式 CONNECTION SCHEMES LP-24光纤OPTICAL FIBER



外形尺寸图 DIMENSION FIGURE LP-24 RJ45



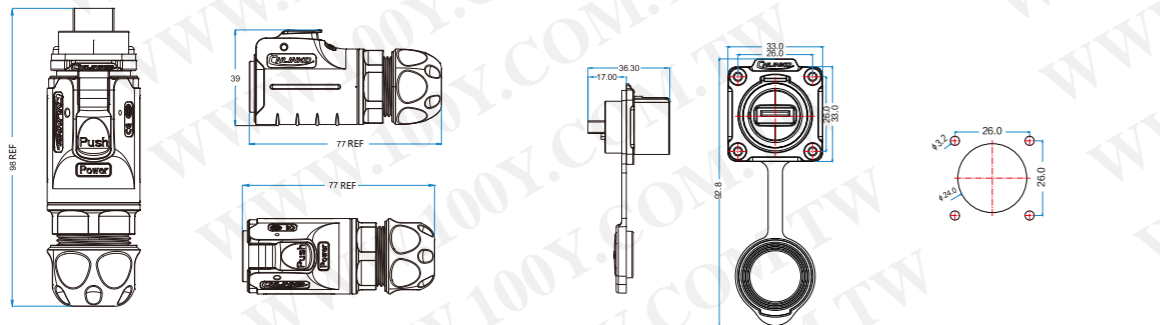
产品外型尺寸图
dimensions figure

夹爪紧固式插头PE (外型尺寸图)
PE clamping cable plug
(dimensions figure)

插座 SX (外型尺寸图)
S socket (dimensions figure)

安装开孔图
Installation hole figure

外形尺寸图 DIMENSION FIGURE LP-24 USB



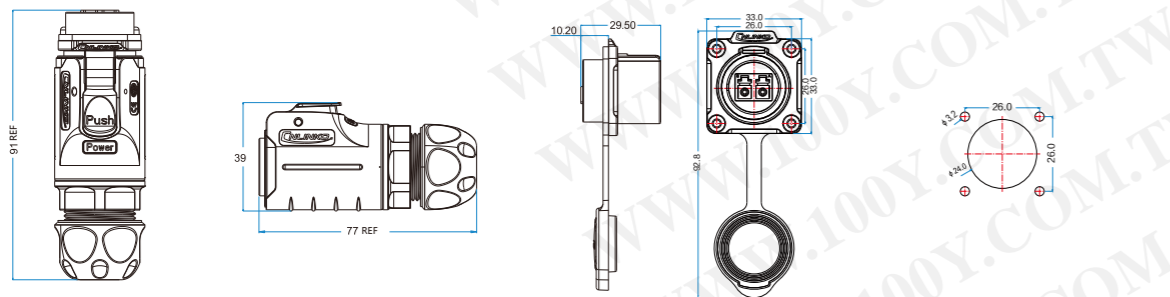
产品外型尺寸图
dimensions figure

夹爪紧固式插头PE (外型尺寸图)
PE clamping cable plug
(dimensions figure)

插座 SX (外型尺寸图)
S socket (dimensions figure)

安装开孔图
Installation hole figure

外形尺寸图 DIMENSION FIGURE LP-24 光纤 Optical fiber



产品外型尺寸图
dimensions figure

夹爪紧固式插头PE (外型尺寸图)
PE clamping cable plug
(dimensions figure)

插座 SX (外型尺寸图)
S socket (dimensions figure)

安装开孔图
Installation hole figure

勝特力材料 886-3-5753170
勝特力电子(上海) 86-21-34970699
勝特力电子(深圳) 86-755-83298787
Http://www.100y.com.tw

DH-20

防水连接器
WATERPROOF CONNECTOR

简介

INTRODUCTION

DH-20系列连接器, 使用独特的波簧设计, 标准的卡槽, 合金的金属材料, 旋转试外圈锁紧方式, 外观新颖, 符合中高端客户的使用要求, 被广泛应用于LED显示屏, 工业设备, 灯光舞台设备等其它不同的行业领域。

DH-20 Series Connectors, using a unique wave spring design, carrying a standard card slot, zinc alloy shell, outer rotary locking mode type, with novel appearance, can then meet average customers' requirements or above. the connectors can widely be used in LED display screen, industrial equipment, stage lighting equipment and other fields.










1. 产品三点定位, 使用波簧旋钮设计, 外圈卡点与插座卡扣接合锁紧, 使插头及插座的连接操作简易方便, 接合力度均匀, 电流与信号的传输更加稳定。
2. 使用波簧结构, 使插头与插座连接时能借助于波簧的弹力自动绞合。
3. 铜针卡簧设计, 使客户在使用时铜针焊接作业与插座的安装作业分离解决客户在使用中需先安装, 后焊接作业的操作环境的限制不足。
4. 使用合金外圈, 使插头与插座在闭合状态时能有效提高闭合的稳定性, 接合时能解决部分产品因锁合力不足产生电源或信号传输不稳定等不良问题。
5. 使用尾爪设计, 有效收紧线材, 使之有效绞合, 提升产品的防水等级及抗拉力要求并使螺帽有效防退。
6. 内牙防水设计, 使产品在闭合时具有更强的闭合性提升防水等级。
7. 产品在连接状态下符合IP65/IP67防护等级

1. Three positioning, designing as wave spring knob, the outer ring card point locking snap engaged with the socket, making the connection operation for the plug and socket be more simple and convenient, uniform intensity engaging, and keeping the current and signal transmission more stable.
2. Using wave spring structure, so that elastic wave spring stranded automatically when connect the plug and socket.
3. Copper needle retainer designing, so that copper welding operations and install socket were separated, thus solve up limited operating environments from install to then welding.
4. Using outer alloy ring, keeping the plug and socket more stable in the closed state, making the power supply or signal transmission more stable and comparable while connection.
5. Using tail jaws design, to tighten the wire more effective, twisted more effective too, improving the product waterproof rating and tensile strength requirements, and prevent the nut back effectively.
6. Waterproof clip coil designing, so that the products have better waterproof rating when closed.
7. Waterproof IP65/IP67 while connection.

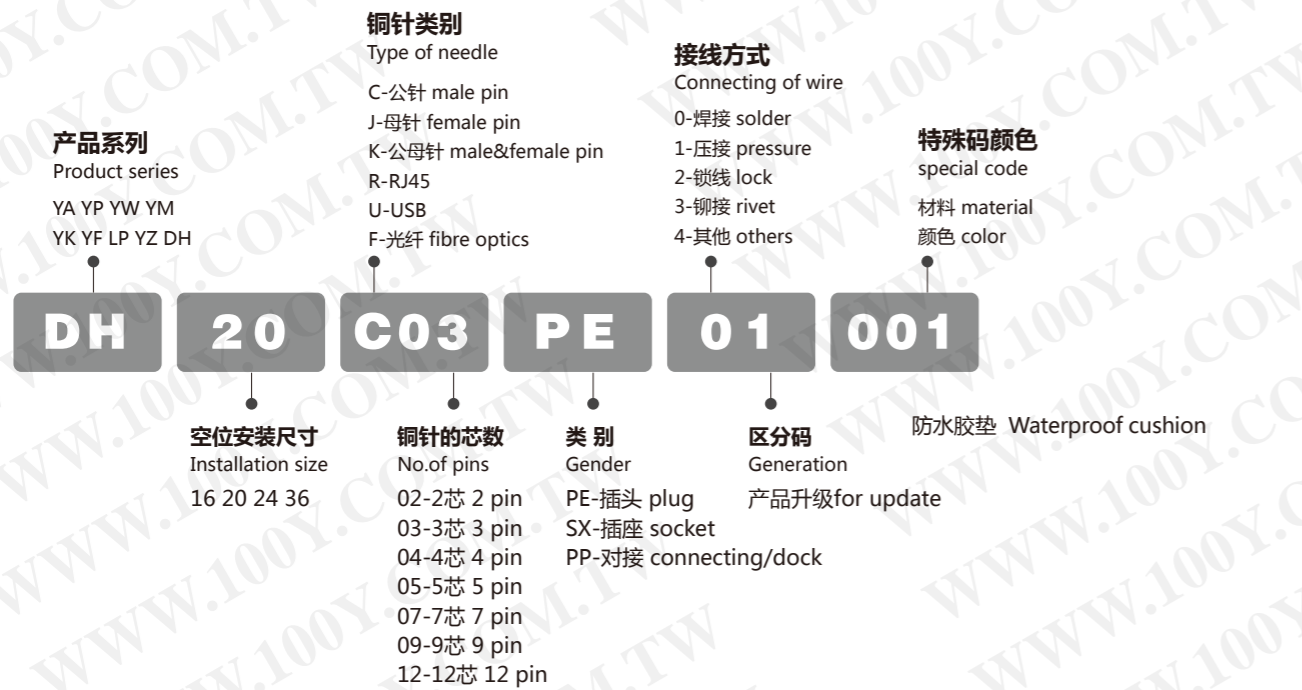
DH-20 系列产品规格参数表

DH-20 SERIES SPECIFICATIONS SHEET

芯数 PINS	2芯 2PINS	3芯 3PINS	4芯 4PINS	5芯 5PINS	7芯 7PINS	9芯 9PINS	12芯 12PINS	
产品图 PICTURE	正装 Male plug & Female socket	 DH-20-CO2PE-01-001 公头 male plug  DH-20-J02SX-01-001母座(法兰) female socket (french)	 DH-20-CO3PE-01-001 公头 male plug  DH-20-J03SX-01-001母座(法兰) female socket (french)	 DH-20-CO4PE-01-001 公头 male plug  DH-20-J04SX-01-001母座(法兰) female socket (french)	 DH-20-CO5PE-01-001 公头 male plug  DH-20-J05SX-01-001母座(法兰) female socket (french)	 DH-20-CO7PE-01-001 公头 male plug  DH-20-J07SX-01-001母座(法兰) female socket (french)	 DH-20-CO9PE-01-001 公头 male plug  DH-20-J09SX-01-001母座(法兰) female socket (french)	 DH-20-C12PE-01-001 公头 male plug  DH-20-J12SX-01-001母座(法兰) female socket (french)
	反装 Female plug & Male socket	 DH-20-J02PE-01-001 母头 female plug  DH-20-C02SX-01-001 公座(法兰) male socket (french)	 DH-20-J03PE-01-001 母头 female plug  DH-20-C03SX-01-001 公座(法兰) male socket (french)	 DH-20-J04PE-01-001 母头 female plug  DH-20-C04SX-01-001 公座(法兰) male socket (french)	 DH-20-J05PE-01-001 母头 female plug  DH-20-C05SX-01-001 公座(法兰) male socket (french)	 DH-20-J07PE-01-001 母头 female plug  DH-20-C07SX-01-001 公座(法兰) male socket (french)	 DH-20-J09PE-01-001 母头 female plug  DH-20-C09SX-01-001 公座(法兰) male socket (french)	 DH-20-J12PE-01-001 母头 female plug  DH-20-C12SX-01-001 公座(法兰) male socket (french)

排列图							
线材规格	Cable specification 2.5mm ² ~ 4mm ² / 14 ~ 12 AWG			1.0mm ² ~ 1.5mm ² / 18 ~ 16 AWG		0.15mm ² ~ 0.2mm ² / 26-24 AWG	
线径范围	Diameter range Φ8mm ~ Φ12mm			Φ7mm ~ Φ9mm		Φ5.5mm ~ Φ7mm	
接触件直径×数量	Contact diameter × number Φ2.7×2			Φ2.0×5	Φ2.0×7	Φ1.0×9	Φ1.0×12
额定电流(A)	Rated Current (A) 20A			12A		5A	
工作电压(AC.V.RMS)	Operating voltage (AC.V.rms) 500V			500V		400V	
接触电阻	Contact resistance <1mΩ			<2.5mΩ		<5mΩ	
温升	Temperature rise 20A时温升在30°C以下 (20A contact temperature below 30°C), 25A.....40°C, 30A.....50°C。			12A.....30°C, 15A.....40°C, 20A.....50°C。		/	
耐压(AC.V)1分钟	Withstanding Voltage (AC.V) 1 minute 2500V			2500V		1500V	
绝缘电阻	Insulation resistance > 500MΩ			> 500MΩ		> 500MΩ	
防护等级	Protection level IP65/IP67			IP65/IP67		IP65/IP67	
耐久次数	Durability ≥500次			≥500次		≥500次	
工作温度	Working temperature -40°C ~ 80°C			-40°C ~ 80°C		-40°C ~ 80°C	
连接方式	Connecting mode 1/4快速卡口连接 1/4 Bayonet connector			1/4快速卡口连接 1/4 Bayonet connector		1/4快速卡口连接 1/4 Bayonet connector	
接线方式	Assembly wire 焊接式 solder			焊接式 solder		焊接式 solder	

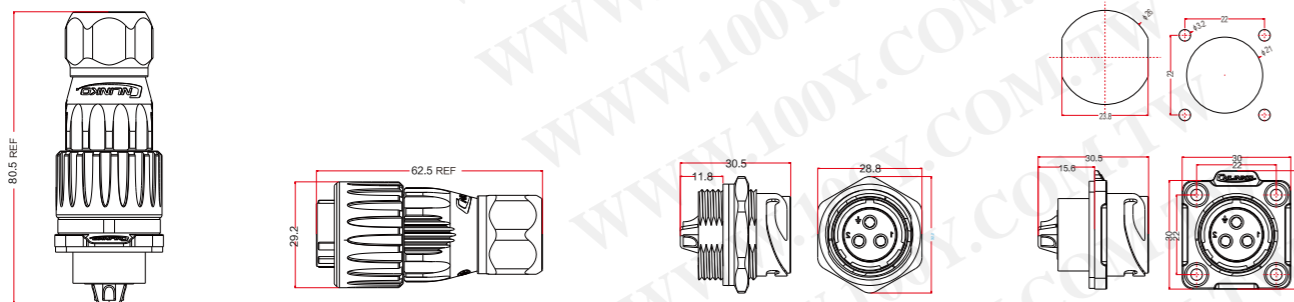
材料	外壳、绝缘部件	五金	铜针	防水圈	阻燃等级
Housing, the insulating parts	高性能工程塑料 High-performance engineering plastics	Hardware	铜合金(镀金4U) Copper alloy (gold-plated 4U)	硅胶 Silica gel	UL94-V0
高性能工程塑料 High-performance engineering plastics	锌合金(珍珠硬铬) Zinc Alloy (pearl hard chrome)	铜合金(镀金2U) Copper alloy (gold-plated 2U)	硅胶 silica gel	UL94-V0	UL94-V0
锌合金(珍珠硬铬) Zinc Alloy (pearl hard chrome)	铜合金(镀金4U) Copper alloy (gold-plated 4U)	铜合金(镀金2U) Copper alloy (gold-plated 2U)	硅胶 silica gel	UL94-V0	UL94-V0
铜合金(镀金2U) Copper alloy (gold-plated 2U)	硅胶 silica gel	UL94-V0	UL94-V0	UL94-V0	UL94-V0



连接方式 CONNECTION SCHEMES



外形尺寸图 DIMENSION FIGURE



产品外形尺寸图
dimensions figure

夹爪紧固式插头PE (外形尺寸图)
PE clamping cable plug
(dimensions figure)

插座 SX (外形尺寸图)
SX socket (dimensions figure)

安装开孔图
Installation hole figure

DH-24
防水连接器
WATERPROOF CONNECTOR

简介
INTRODUCTION

DH-24连接器, 使用合金金属外壳, 独特的卡簧式结构设计, 旋转式锁紧, 匹配电源、信号、USB、光纤不同的型号。使之符合工业设备的不同需求, 满足设备的对连接器使用要求, 广泛应用于工业信号传输及电源电流传输、数据传输等不同工业领域。

DH-24 series includes connecting for power shpply, signal, USB and fiber , which is made up of sepcial alloy for shell and a clip spring type unique shructure design and a rotary lock , to meet the different needs of industrial equipment , they are widely used in transmission current , signal and date in different industrial field.



- 1.产品三点定位, 使用波簧旋钮设计, 外圈卡点与插座卡扣接合锁紧, 使插头及插座的连接操作简易方便, 接合力度均匀, 电流与信号的传输更加稳定。
- 2.使用波簧结构, 使插头与插座连接时能借助于波簧的弹力自动绞合。
- 3.铜针卡簧设计, 使客户在使用时铜针焊接作业与插座的安装作业分离解决客户在使用中需先安装, 后焊接作业的操作环境的限制不足。
- 4.使用合金外圈, 使插头与插座在闭合状态时能有效提高闭合的稳定性, 接合时能解决部分产品因锁合力不足产生电源或信号传输不稳定等不良问题。
- 5.使用尾爪设计, 有效收紧线材, 使之有效绞合, 提升产品的防水等级及抗拉力要求并使螺帽有效防退。
- 6.内牙防水设计, 使产品在闭合时具有更强的闭合性提升防水等级。
- 7.使用不同的内芯设计, 能广泛适用于信号, USB, 光纤, 电源的接插连接
8. 产品在连接状态下符合IP65/IP67防护等级

1. Three positioning, designing as wave spring knob, the outer ring card point locking snap engaged with the socket, making the connection operation for the plug and socket be more simple and convenient, uniform intensity engaging, and keeping the current and signal transmission more stable.
2. Using wave spring structure, so that elastic wave spring stranded automatically when connect the plug and socket.
3. Copper needle retainer designing, so that copper welding operations and install socket were separated, thus solve up limited operating environments from install to then welding.
4. Using outer alloy ring, keeping the plug and socket more stable in the closed state, making the power supply or signal transmission more stable and comparable while connection.
5. Using tail jaws design, to tighten the wire more effective, twisted more effective too, improving the product waterproof rating and tensile strength requirements, and prevent the nut back effectively.
6. Waterproof clip coil designing, so that the products have better waterproof rating when closed.
7. Different core designing, the products can be widely used for signal, USB, fiber optic and power plug connection
7. Waterproof IP65/IP67 while connection.

DH-24 系列产品规格参数表
DH-24 SERIES SPECIFICATIONS SHEET

产品类型	PIN针正装		PIN针反装		RJ45	USB	光纤 Fibre optics
产品图 PICTURE							

排列图		2.5m ^m ~ 4m ^m /14 ~ 12 AWG		0.15m ^m ~ 0.2m ^m /26-24 AWG	
线材规格	Cable specification	2.5m ^m ~ 4m ^m /14 ~ 12 AWG		0.15m ^m ~ 0.2m ^m /26-24 AWG	
线径范围	Diameter range	Φ8mm ~ Φ12mm		Φ5.5mm ~ Φ7mm	
接触件直径×数量	Contact diameter × number	3.0 × 3		8PIN	9PIN (3.0) & 4PIN (2.0)
额定电流(A)	Rated Current (A)	20A		1.5A	/
工作电压(AC.V.RMS)	Operating voltage (AC.V.rms)	500V		/	/
接触电阻	Contact resistance	<1mΩ		<30mΩ	/
温升	Temperature rise	20A时温升在30℃以下 (20A contact temperature below 30℃) , 25A.....40℃I , 30A.....50℃I.		/	/
耐电压(AC.V)1分钟	Withstanding Voltage (AC.V) 1 minute	2500V		1000V	/
绝缘电阻	Insulation resistance	> 500MΩ		> 500MΩ	/
防护等级	Protection level	IP65/IP67		IP65/IP67	/
耐久次数	Durability	> 500次		> 500次	/
工作温度	Working temperature	-40℃ ~ 80℃		-40℃ ~ 80℃	/
连接方式	Connecting mode	1/4快速卡口连接 1/4 Bayonet connector		1/4快速卡口连接 1/4 Bayonet connector	
接线方式	Assembly wire	焊接式 solder		/	

材料		高性能工程塑料 High-performance engineering plastics		高性能工程塑料 High-performance engineering plastics	
外壳、绝缘部件	Housing, the insulating parts	高性能工程塑料 High-performance engineering plastics		高性能工程塑料 High-performance engineering plastics	
五金	Hardware	锌合金(珍珠硬铬) Zinc Alloy (pearl hard chrome)		锌合金(珍珠硬铬) Zinc Alloy (pearl hard chrome)	
铜针	Copper needles	铜合金(镀金4U) Copper alloy (gold-plated 4U)		铜合金(镀金2U) Copper alloy (gold-plated 4U)	
防水圈	Waterproof circle	硅胶 Silica gel		硅胶 Silica gel	
阻燃等级	Flammability rating	UL94-V0 UL94-V0		UL94-V0 UL94-V0	

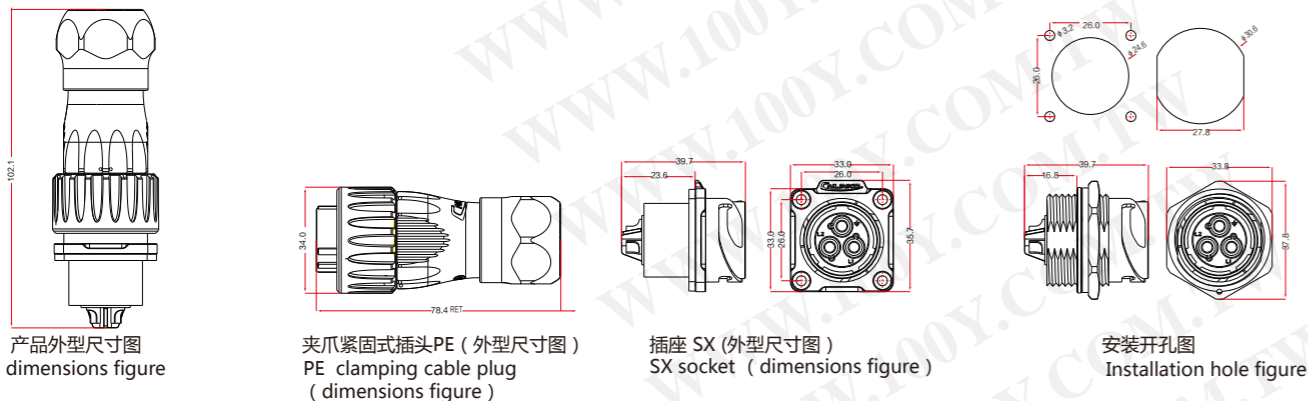
型号标志代号 MODEL CODE



连接方式 CONNECTION SCHEMES



外形尺寸图 DIMENSION FIGURE



YF-24

防水连接器
WATERPROOF CONNECTOR

简介

INTRODUCTION

YF-24系列连接器，因其独特的插销式锁紧方式，操作简易且具有独特可分式蓝灰色电源输入输出，使有效区分设备的输入及输出端，并具有电源偶合器，能同时使用两种移动端进行转换，增加设备使用的灵活性，广泛使用于音频，视频及电源设备。

YF-24 series connectors, because of its unique locking bolt, which is easy to operate and has a unique blue-gray separable power input and output, so effectively distinguish device input and output ports and a power coupling, both portable terminals transform at same time and make it more flexibility. Widely used in Audio, video and power equipment.





YF-24-C03SX-06-001 (IP44) YF-24-J03PE-06-001 (IP44)



防水胶垫 Waterproof cushion



YF-24-C03PE-04-001 (IP65)

YF-24-J03PE-04-001 (IP65)

- 锁定3芯的设备接插件，具有接点，用于中线，直线，预先适配的安全接地。
- 高电流容量20A/250VAC。
- 使用不同的颜色（蓝色输入）进行输入输出（灰色输出）的控制，避免互配的可能性。
- 快速简便的锁定系统。
- 使用美国进口镀铜进行镀银双项品质保证，增加电流的稳定性及有效的温升控制。
- IP44及IP65双向选择。
- 20A rms 的额定电流。
- 独特的内芯铜针防脱出设计。

- Locking 3-pin connector of the device, with contacts for the middle, straight, pre-adaptation safety ground
- High current capacity 20A/250VAC
- The use of different colors (blue line) input and output (output gray) control, to avoid the possibility of interworking
- Fast and easy locking system
- Use of U.S. imports carried silver-plated beryllium copper double entry, quality assurance, increasing the stability of the current and effective temperature control
- IP44 and IP65-way choice
- 20A rms current rating
- Unique copper core needle anti prolapse design



YF-24-C03SX-01-200
YF电源转换器灰（右IP44）
power converter(Gray)



YF-24-J03SX-01-200
YF电源转换器蓝（左IP44）
power converter(Blue)



独特的插销式按钮设计
Unique snap button



防过位定卡片
anti-positioning part



镀金+银触点130u镀银
Gold-plated with 130u
silver contact



防水夹线圈
Waterproof coil clip

胜特力材料 886-3-5753170
胜特力电子(上海) 86-21-34970699
胜特力电子(深圳) 86-755-83298787
[Http://www.100y.com.tw](http://www.100y.com.tw)



排列图					
线材规格	Cable specification	2.5mm ² ~ 4mm ² / 14 ~ 12 AWG	2.5mm ² / 14 AWG		2.5mm ² ~ 4mm ² / 14 ~ 12 AWG
线径范围	Diameter range	Φ8mm ~ Φ12mm	Φ8mm ~ Φ10mm		Φ8mm ~ Φ12mm
接触件直径×数量	Contact diameter × number	Φ2.0×3			Φ2.0×3
额定电流(A)	Rated Current (A)	20A			20A
工作电压(AC.V.RMS)	Operating voltage (AC.V.rms)	500V			500V
接触电阻	Contact resistance	<3mΩ			<3mΩ
温升	Temperature rise	20A时温升在30℃以下 (20A contact temperature below 30℃), 25A.....40℃I, 30A.....50℃I。			12A.....30℃I, 15A.....40℃I, 20A.....50℃I。
耐电压(AC.V)1分钟	Withstanding Voltage (AC.V) 1 minute	2500V			2500V
绝缘电阻	Insulation resistance	> 500MΩ			> 500MΩ
防护等级	Protection level	IP44			IP44
耐久次数	Durability	> 500次			> 500次
工作温度	Working temperature	-40℃ ~ 80℃			-40℃ ~ 80℃
连接方式	Connecting mode	门锁连接 Latching lock			门锁连接 Latching lock
接线方式	Assembly wire	焊接与锁螺丝 Solder&lock screw			焊接与锁螺丝 Solder&lock screw

材料					
外壳、绝缘部件	Housing, the insulating parts	高性能工程塑料	High-performance engineering plastics	高性能工程塑料	High-performance engineering plastics
五金	Hardware	锌合金(珍珠硬铬)	Zinc Alloy (pearl hard chrome)	锌合金(珍珠硬铬)	Zinc Alloy (pearl hard chrome)
铜针	Copper needles	铜合金(镀金)2U金+70U银电镀层	Copper alloy (2u gold-pleted and 70u Silver plated)	铜合金(镀金)2U金+70U银电镀层	Copper alloy (2u gold-pleted and 70u Silver plated)
防水圈	Waterproof circle	硅胶	Silica gel	硅胶	Silica gel
阻燃等级	Flammability rating	UL94-V0	UL94-V0	UL94-V0	UL94-V0

型号标志代号 MODEL CODE

产品系列 Product series YA YP YW YM YK YF LP YZ	铜针类别 Type of needle C-公针 male pin J-母针 female pin K-公母针 male&female pin R-RJ45 U-USB F-光纤 fibre optics	接线方式 Connecting of wire 0-焊接 solder 1-压接 pressure 2-锁线 lock 3-铆接 rivet 4-其他 others	特殊码颜色 special code 材料 material 颜色 color		
YF	24	C03	PE	01	001
空位安装尺寸 Installation size 16 20 24 36	铜针的芯数 No.of pins 02-2芯 2 pin 03-3芯 3 pin 04-4芯 4 pin 05-5芯 5 pin 07-7芯 7 pin 09-9芯 9 pin 12-12芯 12 pin	类别 Gender PE-插头 plug SX-插座 socket PP-对接 connecting/dock	区分码 Generation 产品升级 for update	防水胶垫 Waterproof cushion	

YA-20

防水连接器
WATERPROOF CONNECTOR

简介

INTRODUCTION

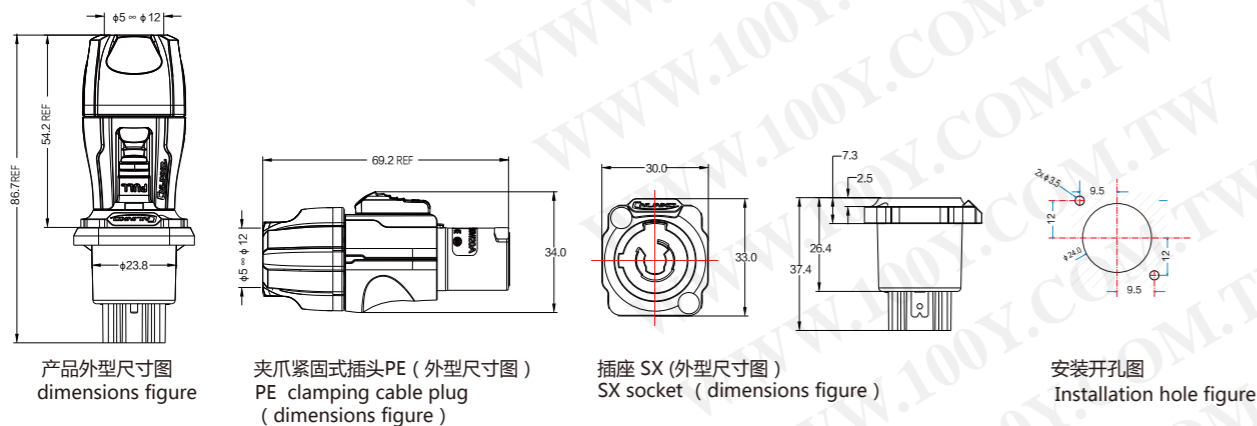
YA-20系列以独特的卡口设计，旋转锁紧，操作方便而被广泛应用于工业LED显示屏，音频，商业，娱乐，现场的舞台设备，DMX照明，工业设备，其中包含一系列多芯金属连接器，此系列不仅提供公头，母头及插座，能通过焊接，简便可靠快速锁定系统保证连接完整。

YA-20 Series is the one of Linko's patent design with unique bayonet design , rotation lock , easy to operate and be widely used in industrial LED display , audio , business , entertainment , live stage action , DMX lighting , industrial equipment . It's includes a series of connector with multi-core .this series provides connection ways not only plugs and sockets , but also welding quick locking , which ensures easy and reliable connection integrity .

连接方式 CONNECTION SCHEMES



外形尺寸图 DIMENSION FIGURE





YA-20-C03PE-03-001
公头 Male plug



YA-20-J03SX-01-001
母座 Female socket



防水胶垫 Waterproof cushion

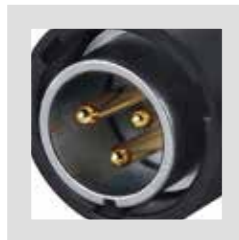


防尘防水盖 Dustproof and Protective cover

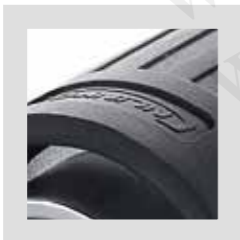


- 多款式的内芯设计（2-12芯），符合多样性的工业需求。
- 锌合金的座子及内部构件材质，具有完整的电磁及射频干扰保护。
- 镀金触点，高强的耐腐蚀性及导电性，有效应对电流产生的温升变化。
- PBT材质外壳，稳定的电气性能，高强的抗耐压，抗高温，抗爆，抗腐蚀性。
- 电源（7芯以下）及信号（12芯）同时兼容匹配。
- 防护等级IP65/IP67。
- 20A rms 的额定电流。
- 1/4卡口快速连接。

- Multi-core design styles (2-12 cores), in line with industry needs diversity
- Socket and internal components zinc alloy material, with a complete electromagnetic and radio frequency interference protection
- Gold-plated contacts, high-strength corrosion resistance and electrical conductivity, effective response to temperature changes in current
- PBT material shell, stable electrical performance, high strength and resistance to pressure, high temperature resistance, anti-explosion, anti-corrosive
- Power (7 cores or less) and signal (12 cores) compatible match
- Protection level IP65/IP67
- 20A rms rated current
- 1/4 bayonet connector



锌合金内牙及镀金铜针触点
Zinc alloy thread and gold-plated copper contact



1/4卡口快速连接
1/4 bayonet connector

YA-20母头公座
YA-20 Female Plug And Male Socket

YA-20公头母座
YA-20 Male Plug And Female Socket



YA-20-J02PE-03-001



YA-20-C02PE-03-001



YA-20-J03PE-03-001



YA-20-C03PE-03-001



YA-20-J04PE-03-001



YA-20-C04PE-03-001



YA-20-J05PE-03-001



YA-20-C05PE-03-001



YA-20-J07PE-03-001



YA-20-C07PE-03-001



YA-20-J09PE-03-001



YA-20-C09PE-03-001



YA-20-J12PE-03-001



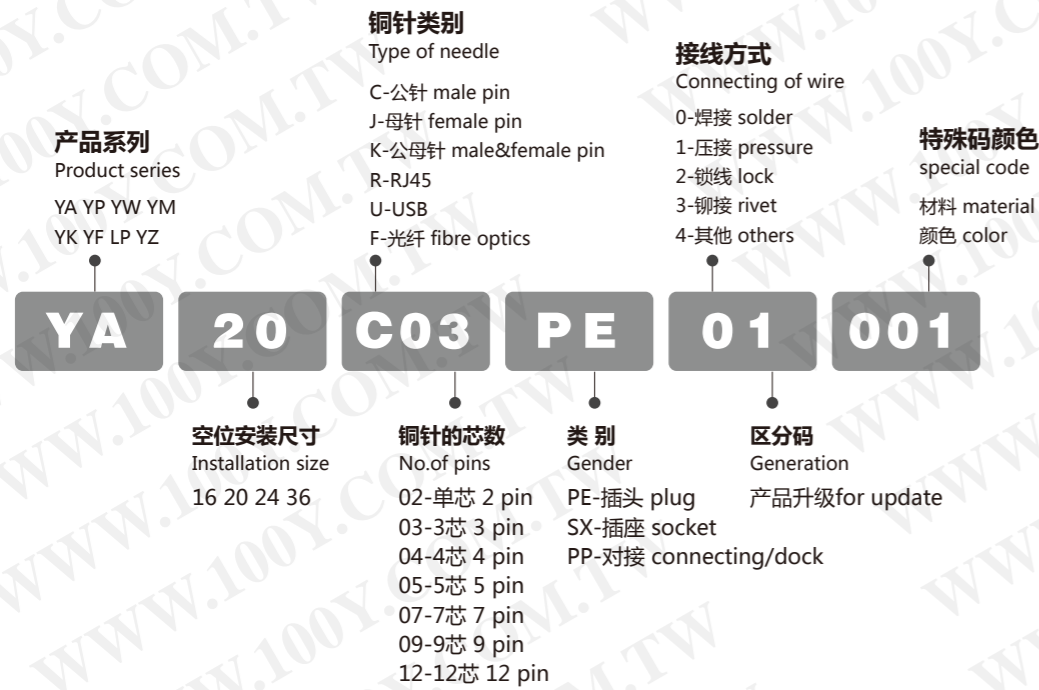
YA-20-C12PE-03-001

YA-20 系列产品规格参数表
YA-20 SERIES SPECIFICATIONS SHEET

芯数 PINS	2芯 2PINS	3芯 3PINS	4芯 4PINS	5芯 5PINS	7芯 7PINS	9芯 9PINS	12芯 12PINS
产品图 PICTURE	正装 Male plug & Female socket 						
	反装 Female plug & Male socket 						

排列图	2芯 2PINS	3芯 3PINS	4芯 4PINS	5芯 5PINS	7芯 7PINS	9芯 9PINS	12芯 12PINS
线材规格	Cable specification 2.5mm ² ~ 4mm ² / 14 ~ 12 AWG			1.0mm ² ~ 1.5mm ² / 18 ~ 16 AWG		0.15mm ² ~ 0.2mm ² / 26-24 AWG	
线径范围	Diameter range Φ8mm ~ Φ12mm			Φ7mm ~ Φ9mm		Φ5.5mm ~ Φ7mm	
接触件直径×数量	Φ2.7×2	Φ2.7×3	Φ2.7×4	Φ2.0×5	Φ2.0×7	Φ1.0×9	Φ1.0×12
额定电流(A)	20A			12A		5A	
工作电压(AC.V.RMS)	500V			500V		400V	
接触电阻	<1mΩ			<2.5mΩ		<5mΩ	
温升	20A时温升在30℃以下 (20A contact temperature below 30℃), 25A.....40℃, 30A.....50℃。			12A.....30℃, 15A.....40℃, 20A.....50℃。		/	
耐电压(AC.V)1分钟	2500V			2500V		1500V	
绝缘电阻	> 500MΩ			> 500MΩ		> 500MΩ	
防护等级	IP65/IP67			IP65/IP67		IP65/IP67	
耐久次数	> 500次			> 500次		> 500次	
工作温度	-40℃ ~ 80℃			-40℃ ~ 80℃		-40℃ ~ 80℃	
连接方式	1/4快速卡口连接 1/4 Bayonet connector			1/4快速卡口连接 1/4 Bayonet connector		1/4快速卡口连接 1/4 Bayonet connector	
接线方式	焊接式 solder			焊接式 solder		焊接式 solder	

材料	2芯 2PINS	3芯 3PINS	4芯 4PINS	5芯 5PINS	7芯 7PINS	9芯 9PINS	12芯 12PINS
外壳、绝缘部件	高性能工程塑料 High-performance engineering plastics			高性能工程塑料 High-performance engineering plastics		高性能工程塑料 High-performance engineering plastics	
五金	锌合金(珍珠硬铬) Zinc Alloy (pearl hard chrome)			锌合金(珍珠硬铬) Zinc Alloy (pearl hard chrome)		锌合金(珍珠硬铬) Zinc Alloy (pearl hard chrome)	
铜针	铜合金(镀金4U) Copper alloy (gold-plated 4U)			铜合金(镀金2U) Copper alloy (gold-plated 2U)		铜合金(镀金2U) Copper alloy (gold-plated 2U)	
防水圈	硅胶 Silica gel			硅胶 Silica gel		硅胶 Silica gel	
阻燃等级	UL94-V0 UL94-V0			UL94-V0 UL94-V0		UL94-V0 UL94-V0	



YP-20

防水连接器
WATERPROOF CONNECTOR

简介

INTRODUCTION

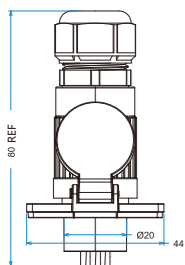
YP-20系列连接器,使用按扣式快速插拔,连接稳固,操作方便简易,安全性高,并能兼容满足多芯的工业使用需求,是LED显示屏用户,及照明设备用户的首选。

YP-20 Series is the first choice for user who in the file LED display and lighting equipment, Due to snap quickly plug/unplug, connection security, convenient and easy to operate, high safety performance and with multi-core industrial use to meet the need.

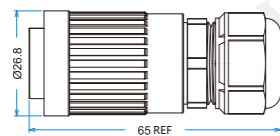
连接方式 CONNECTION SCHEMES



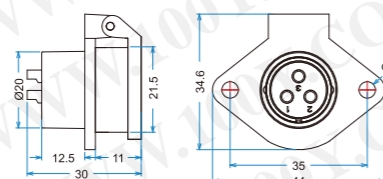
外形尺寸图 DIMENSION FIGURE



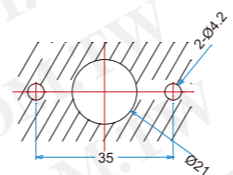
产品外型尺寸图
dimensions figure



夹爪紧固式插头PE (外型尺寸图)
PE clamping cable plug
(dimensions figure)



插座 SX (外型尺寸图)
SX socket (dimensions figure)



安装开孔图
Installation hole figure





YP-20-C03PE-01-001
公头 Male plug



LP-20-J03SX-01-001
母座 Female socket



YP-20-J03SX-03-100
3芯公座+母座
3Pins male female socket



防水胶垫 Protective cover cushion

- 多款式的内芯设计（2-12芯），符合多样性的工业需求，信号及电源同时兼容匹配。
- 锌合金的座子及内部构件材质，具有完整的电磁及射频干扰保护。
- 镀金触点，高强的耐腐蚀性及导电性，有效应对电流产生的温升变化。
- PBT材质外壳，稳定的电气性能，高强的抗耐压，抗高温，抗爆，抗腐蚀性。
- 独特的LINKO夹紧固定式的夹线套设计。
- 4孔安装，稳固无懈可击。
- 20A rms 的额定电流。
- IP65/IP67防护。

- Multi-core design styles (2-12 cores), in line with the diversity of industrial demand, signal and power compatible match
- Socket and internal components zinc alloy material, with a complete electromagnetic and radio frequency interference protection
- Gold-plated contacts, high-strength corrosion resistance and electrical conductivity, effective response to temperature changes in current
- PBT material shell, stable electrical performance, high strength and resistance to pressure, high temperature resistance, anti-explosion, anti-corrosive
- Unique LINKO clip fastening clamp-style jacket design
- 4-hole mounting, solid perfect
- 20A rms rated current
- Protection Level: IP65/IP67



锌合金按扣
Zinc Alloy Snap



镀金铜针
Gold-plated Copper Male



镀金母针
Gold-plated Copper Female

YP-20母头公座
YP-20 Female Plug And Male Socket



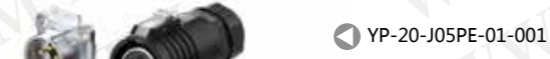
▶ YP-20-J02PE-01-001



▶ YP-20-J03PE-01-001



▶ YP-20-J04PE-01-001



▶ YP-20-J05PE-01-001



▶ YP-20-J07PE-01-001



▶ YP-20-J09PE-01-001



▶ YP-20-J12PE-01-001

YP-20公头母座
YP-20 Male Plug And Female Socket



▶ YP-20-C02PE-01-001



▶ YP-20-C03PE-01-001



▶ YP-20-C04PE-01-001



▶ YP-20-C05PE-01-001



▶ YP-20-C07PE-01-001



▶ YP-20-C09PE-01-001



▶ YP-20-C12PE-01-001

YP-20 系列产品规格参数表
YP-20 SERIES SPECIFICATIONS SHEET

芯数 PINS	2芯 2PINS	3芯 3PINS	4芯 4PINS	5芯 5PINS	7芯 7PINS	9芯 9PINS	12芯 12PINS
产品图 PICTURE	正装 Male plug & Female socket  <p>YP-20-C02PE-01-001 公头 male plug LP-20-J02SX-01-001 母座 female socket</p>	 <p>YP-20-C03PE-01-001 公头 male plug LP-20-J03SX-01-001 母座 female socket</p>	 <p>YP-20-C04PE-01-001 公头 male plug LP-20-J04SX-01-001 母座 female socket</p>	 <p>YP-20-C05PE-01-001 公头 male plug LP-20-J05SX-01-001 母座 female socket</p>	 <p>YP-20-C07PE-01-001 公头 male plug LP-20-J07SX-01-001 母座 female socket</p>	 <p>YP-20-C09PE-01-001 公头 male plug LP-20-J09SX-01-001 母座 female socket</p>	 <p>YP-20-C12PE-01-001 公头 male plug LP-20-J12SX-01-001 母座 female socket</p>
	反装 Female plug & Male socket  <p>YP-20-J02PE-01-001 母头 female plug LP-20-C02SX-01-001 公座 male socket</p>	 <p>YP-20-J03PE-01-001 母头 female plug LP-20-C03SX-01-001 公座 male socket</p>	 <p>YP-20-J04PE-01-001 母头 female plug LP-20-C04SX-01-001 公座 male socket</p>	 <p>YP-20-J05PE-01-001 母头 female plug LP-20-C05SX-01-001 公座 male socket</p>	 <p>YP-20-J07PE-01-001 母头 female plug LP-20-C07SX-01-001 公座 male socket</p>	 <p>YP-20-J09PE-01-001 母头 female plug LP-20-C09SX-01-001 公座 male socket</p>	 <p>YP-20-J12PE-01-001 母头 female plug LP-20-C12SX-01-001 公座 male socket</p>



线材规格	Cable specification	2.5m ² ~ 4m ² / 14 ~ 12 AWG			1.0m ² ~ 1.5m ² / 18 ~ 16 AWG		0.15m ² ~ 0.2m ² / 26-24 AWG	
线径范围	Diameter range	Φ8mm ~ Φ12mm			Φ7mm ~ Φ9mm		Φ5.5mm ~ Φ7mm	
接触件直径×数量	Contact diameter × number	Φ2.7×2	Φ2.7×3	Φ2.7×4	Φ2.0×5	Φ2.0×7	Φ1.0×9	Φ1.0×12
额定电流(A)	Rated Current (A)	20A			12A		5A	
工作电压(AC.V.RMS)	Operating voltage (AC.V.rms)	500V			500V		400V	
接触电阻	Contact resistance	<1mΩ			<2.5mΩ		<5mΩ	
温升	Temperature rise	20A时温升在30℃以下 (20A contact temperature below 30℃), 25A.....40℃I, 30A.....50℃I。			12A.....30℃I, 15A.....40℃I, 20A.....50℃I。		/	
耐电压(AC.V)1分钟	Withstanding Voltage (AC.V) 1 minute	2500V			2500V		1500V	
绝缘电阻	Insulation resistance	> 500MΩ			> 500MΩ		> 500MΩ	
防护等级	Protection level	IP65/IP67			IP65/IP67		IP65/IP67	
耐久次数	Durability	≥500次			≥500次		≥500次	
工作温度	Working temperature	-40℃ ~ 80℃			-40℃ ~ 80℃		-40℃ ~ 80℃	
连接方式	Connecting mode	快速插拔连接 Plug/ unplug			快速插拔连接 Plug/unplug		快速插拔连接 Plug/unplug	
接线方式	Assembly wire	焊接式 solder			焊接式 solder		焊接式 solder	

材料		材料		材料	
外壳、绝缘部件	Housing, the insulating parts	高性能工程塑料	High-performance engineering plastics	高性能工程塑料	High-performance engineering plastics
五金	Hardware	锌合金(珍珠硬铬)	Zinc Alloy (pearl hard chrome)	锌合金(珍珠硬铬)	Zinc Alloy (pearl hard chrome)
铜针	Copper needles	铜合金(镀金4U)	Copper alloy (gold-plated 4U)	铜合金(镀金2U)	Copper alloy (gold-plated 2U)
防水圈	Waterproof circle	硅胶	Silica gel	硅胶	Silica gel
阻燃等级	Flammability rating	UL94-V0	UL94-V0	UL94-V0	UL94-V0



YM-20

防水连接器
WATERPROOF CONNECTOR

简介

INTRODUCTION

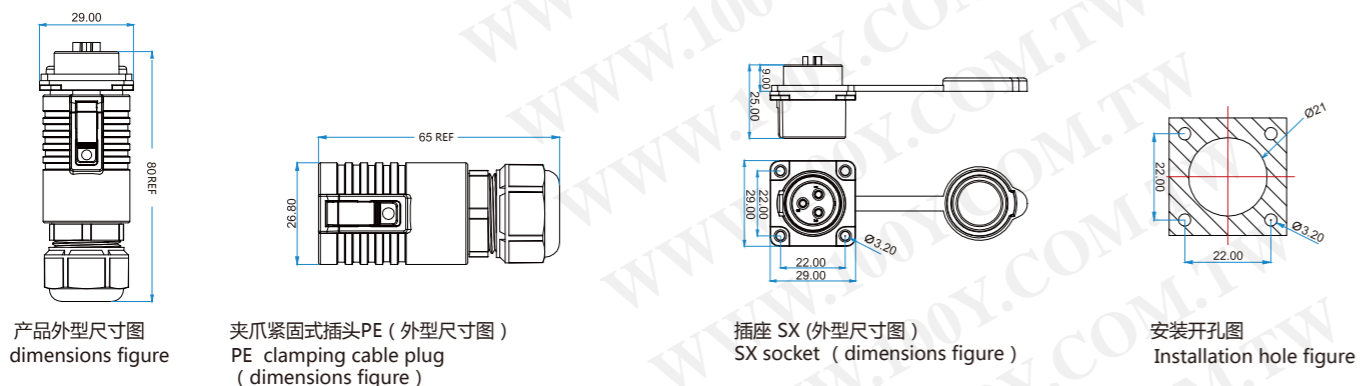
YM-20系列连接器，使用PBT高端的注塑材质，确保产品的稳定性能，多芯设计，同时满足电源及信号的多项设备使用需求，中部鲜明的外壳标识，突显CNLINKO的最新设计。

YM-20 series connectors, using high-end injection molding PBT material, ensuring stable performance, multi-core design of the product, while meeting the needs of a number of power and signal equipment, the central shell distinctive logo, highlighting the latest design cnlinko.

连接方式 CONNECTION SCHEMES



外形尺寸图 DIMENSION FIGURE





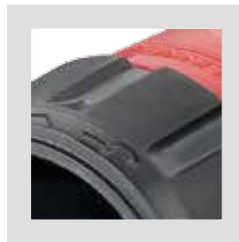
YM-20-C03PE-01-001
公头 Male plug



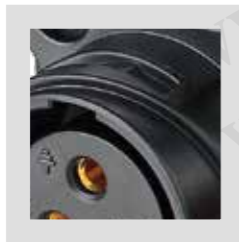
YM-20-J03SX-01-001
母座 Female socket

- 多款式的内芯设计 (2-12芯), 符合多样性的工业需求, 信号及电源同时兼容匹配。
- PBT材质的保护外壳, 具有良好的防火, 抗压, 抗爆, 抗变形性能。
- 镀金触点, 高强的耐腐蚀性及导电性, 有效应对电流产生的温升变化。
- 1/4快速卡口连接, 操作简单, 安装方便。
- 无工作状态下防尘盖设计。
- 20A rms 的额定电流。
- 防护等级IP65/IP67。

- Multi-core design styles (2-12 cores), in line with the diversity of industrial demand, signal and power compatible match
- PBT material of the protective housing, with characters of fire safety, compression, anti-explosion and anti-deformation
- Gold-plated contacts, high-strength corrosion resistance and electrical conductivity, effective response to temperature changes in current
- 1/4 Quick bayonet coupling, simple operation, easy installation
- Dustproof cover design under off-working condition
- 20A rms current rating
- Protection level:IP65/IP67



插头锁紧标识
Symbol of locked plug



镀金铜针
gold plated copper pins

YM-20母头公座

YM-20 Male Socket And Female Plug



YM-20-J02PE-01-001



YM-20-J03PE-01-001



YM-20-J04PE-01-001



YM-20-J05PE-01-001



YM-20-J07PE-01-001



YM-20-J09PE-01-001



YM-20-J12PE-01-001

YM-20公头母座

YM-20 Male Plug And Female Socket



YM-20-C02PE-01-001



YM-20-C03PE-01-001



YM-20-C04PE-01-001



YM-20-C05PE-01-001



YM-20-C07PE-01-001










YM-20-C09PE-01-001



YM-20-C12PE-01-001

YM-20 系列产品规格参数表
YM-20 SERIES SPECIFICATIONS SHEET

芯数 PINS	2芯 2PINS	3芯 3PINS	4芯 4PINS	5芯 5PINS	7芯 7PINS	9芯 9PINS	12芯 12PINS
产品图 PICTURE	正装 Male plug & Female socket 						
	反装 Female plug & Male socket 						

排列图							
线材规格	Cable specification 2.5m ² ~ 4m ² / 14-12AWG			1.0m ² ~ 1.5m ² / 18 ~ 16 AWG		0.15m ² ~ 0.2m ² / 26-24 AWG	
线径范围	Diameter range Φ8mm ~ Φ12mm			Φ7mm ~ Φ9mm		Φ5.5mm ~ Φ7mm	
接触件直径×数量	Φ2.7×2	Φ2.7×3	Φ2.7×4	Φ2.0×5	Φ2.0×7	Φ1.0×9	Φ1.0×12
额定电流(A)	20A			12A		5A	
工作电压(AC.V.RMS)	500V			500V		400V	
接触电阻	<1mΩ			<2.5mΩ		<5mΩ	
温升	20A时温升在30℃以下 (20A contact temperature below 30℃), 25A.....40℃, 30A.....50℃。			12A.....30℃, 15A.....40℃, 20A.....50℃。		/	
耐电压(AC.V)1分钟	2500V			2500V		1500V	
绝缘电阻	> 500MΩ			> 500MΩ		> 500MΩ	
防护等级	IP65/IP67			IP65/IP67		IP65/IP67	
耐久次数	≥500次			≥500次		≥500次	
工作温度	-40℃ ~ 80℃			-40℃ ~ 80℃		-40℃ ~ 80℃	
连接方式	1/4快速卡口连接		1/4 bayonet connect	1/4快速卡口连接		1/4 bayonet connect	
接线方式	焊接式		Solder	焊接式		Solder	

材料		高性能工程塑料	High-performance engineering plastics	高性能工程塑料	High-performance engineering plastics
外壳、绝缘部件	Housing, the insulating parts	高性能工程塑料	High-performance engineering plastics	高性能工程塑料	High-performance engineering plastics
五金	Hardware	锌合金(珍珠硬铬)	Zinc Alloy (pearl hard chrome)	锌合金(珍珠硬铬)	Zinc Alloy (pearl hard chrome)
铜针	Copper needles	铜镀银/铜合金(镀金4U)	Copper alloy (gold-plated 4U)	铜镀银/铜合金(镀金2U)	Copper alloy (gold-plated 2U)
防水圈	Waterproof circle	硅胶	Silica gel	硅胶	Silica gel
阻燃等级	Flammability rating	UL94-V0	UL94-V0	UL94-V0	UL94-V0

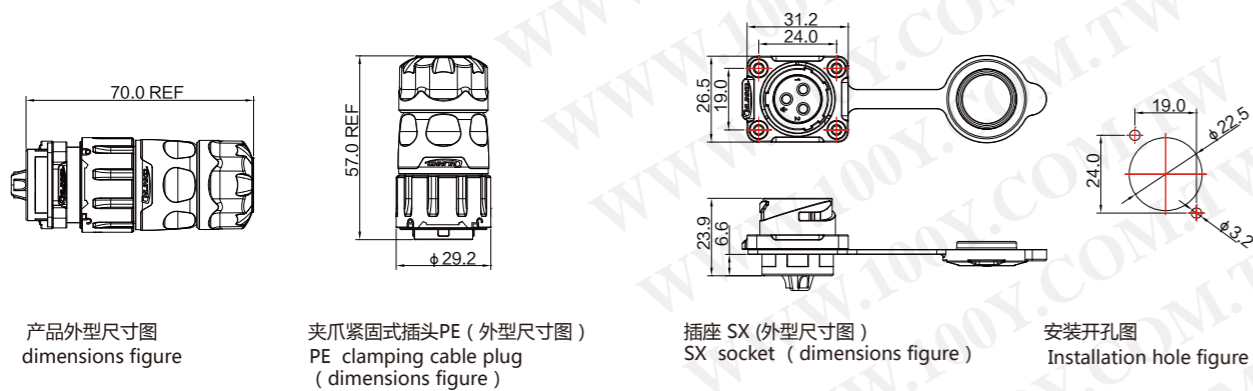
型号标志代号 MODEL CODE



连接方式 CONNECTION SCHEMES



外形尺寸图 DIMENSION FIGURE



YW-20

防水连接器
WATERPROOF CONNECTOR

简介
INTRODUCTION

YW-20防水连接器使用锌合金外壳,有效进行安全及信号屏蔽防护,采用螺旋式锁紧,更牢固可靠。

YW-20 waterproof connector, zinc alloy shell, effective safety and signal shielding, using the locking screw, more secure and reliable.





YW-20-C03PE-02-001
公头 Male plug



YW-20-J03SX-02-001
母座 Female socket

- 全锌合金外壳，具有完整的电磁及射频干扰保护，同时满足高档产品的匹配需求。
- 外圈螺旋锁紧装置，稳固安全。
- 16MM及20MM可选式安装尺寸。
- 快速简便的螺母式设计锁定系统。
- 悬挂式防尘盖设计，有效的防止非工作状态的异物进入，安全性能高，操作方便。
- 2-12芯可选。
- 5~20A rms 的额定电流。
- 外圈防滑的人体化设计。

- All zinc alloy shell, complete with electromagnetic and radio frequency interference protection, while meeting the needs of high-end products to match
- Outer screw locking device, a solid safety
- 16MM and 20MM optional mounting dimensions
- Quick and easy nut locking system design
- Hanging dust cover design avoid matters; high safe performance, easy to operate
- 2-12 pins for choice
- 5-20A rms rated current
- Slip-resistant outer circle



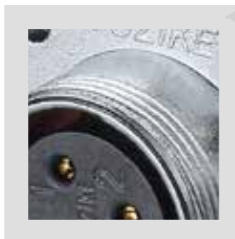
防水盖 Protective cover



硅胶垫片 Silicone gasket



锌合金材质外套
Zinc alloy shell



旋转螺牙锁紧
revolve screw thread



镀金铜针
gold-plated copper pins

YW-20母头公座
YM-20 Male Socket And Female Plug

YW-20公头母座
YM-20 Male Plug And Female Socket



▶ YW-20-J02PE-02-001



▶ YW-20-C02PE-02-001



▶ YW-20-J03PE-02-001



▶ YW-20-C03PE-02-001



▶ YW-20-J04PE-02-001



▶ YW-20-C04PE-02-001



▶ YW-20-J05PE-02-001



▶ YW-20-C05PE-02-001



▶ YW-20-J07PE-02-001



▶ YW-20-C07PE-02-001



▶ YW-20-J09PE-02-001



▶ YW-20-C09PE-02-001



▶ YW-20-J12PE-02-001



▶ YW-20-C12PE-02-001

YW-20 系列产品规格参数表
YW-20SERIES SPECIFICATIONS SHEET

芯数 PINS	2芯 2PINS	3芯 3PINS	4芯 4PINS	5芯 5PINS	7芯 7PINS	9芯 9PINS	12芯 12PINS
产品图 PICTURE	正装 Male plug & Female socket  <p>YW-20-C02PE-02-001 公头 male plug</p> <p>YW-20-J02SX-02-001 母座 female socket</p>	 <p>YW-20-C03PE-02-001 公头 male plug</p> <p>YW-20-J03SX-02-001 母座 female socket</p>	 <p>YW-20-C04PE-02-001 公头 male plug</p> <p>YW-20-J04SX-02-001 母座 female socket</p>	 <p>YW-20-C05PE-02-001 公头 male plug</p> <p>YW-20-J05SX-02-001 母座 female socket</p>	 <p>YW-20-C07PE-02-001 公头 male plug</p> <p>YW-20-J07SX-02-001 母座 female socket</p>	 <p>YW-20-C09PE-02-001 公头 male plug</p> <p>YW-20-J09SX-02-001 母座 female socket</p>	 <p>YW-20-C12PE-02-001 公头 male plug</p> <p>YW-20-J12SX-02-001 母座 female socket</p>
	反装 Female plug & Male socket  <p>YW-20-J02PE-02-001 母头 female plug</p> <p>YW-20-C02SX-02-001 公座 male socket</p>	 <p>YW-20-J03PE-02-001 母头 female plug</p> <p>YW-20-C03SX-02-001 公座 male socket</p>	 <p>YW-20-J04PE-02-001 母头 female plug</p> <p>YW-20-C04SX-02-001 公座 male socket</p>	 <p>YW-20-J05PE-02-001 母头 female plug</p> <p>YW-20-C05SX-02-001 公座 male socket</p>	 <p>YW-20-J07PE-02-001 母头 female plug</p> <p>YW-20-C07SX-02-001 公座 male socket</p>	 <p>YW-20-J09PE-02-001 母头 female plug</p> <p>YW-20-C09SX-02-001 公座 male socket</p>	 <p>YW-20-J12PE-02-001 母头 female plug</p> <p>YW-20-C12SX-02-001 公座 male socket</p>



线材规格	Cable specification	2.5mm ² ~ 4mm ² / 14 ~ 12 AWG			1.0mm ² ~ 1.5mm ² / 18 ~ 16 AWG		0.15mm ² ~ 0.2mm ² / 26-24 AWG	
线径范围	Diameter range	Φ8mm ~ Φ12mm			Φ7mm ~ Φ9mm		Φ5.5mm ~ Φ7mm	
接触件直径×数量	Contact diameter × number	Φ2.7×3	Φ2.7×3	Φ2.7×4	Φ2.0×5	Φ2.0×7	Φ1.0×9	Φ1.0×12
额定电流(A)	Rated Current (A)	20A			12A		5A	
工作电压(AC.V.RMS)	Operating voltage (AC.V.rms)	500V			500V		400V	
接触电阻	Contact resistance	<1mΩ			<2.5mΩ		<5mΩ	
温升	Temperature rise	20A时温升在30℃以下 (20A contact temperature below 30℃), 25A.....40℃I, 30A.....50℃I.			12A.....30℃I, 15A.....40℃I, 20A.....50℃I.		/	
耐电压(AC.V)1分钟	Withstanding Voltage (AC.V) 1 minute	2500V			2500V		1500V	
绝缘电阻	Insulation resistance	> 500MΩ			> 500MΩ		> 500MΩ	
防护等级	Protection level	IP65/IP67			IP65/IP67		IP65/IP67	
耐久次数	Durability	> 500次			> 500次		> 500次	
工作温度	Working temperature	-40℃ ~ 80℃			-40℃ ~ 80℃		-40℃ ~ 80℃	
连接方式	Connecting mode	螺纹式连接 Screw connecting			螺纹式连接 Screw connecting		螺纹式连接 Screw connecting	
接线方式	Assembly wire	焊接式 Solder			焊接式 Solder		焊接式 Solder	

材料		高性能工程塑料	High-performance engineering plastics	高性能工程塑料	High-performance engineering plastics
外壳、绝缘部件	Housing, the insulating parts	高性能工程塑料	High-performance engineering plastics	高性能工程塑料	High-performance engineering plastics
五金	Hardware	锌合金(珍珠硬铬)	Zinc Alloy (pearl hard chrome)	锌合金(珍珠硬铬)	Zinc Alloy (pearl hard chrome)
铜针	Copper needles	铜合金(镀金4U)	Copper alloy (gold-plated 4U)	铜合金(镀金2U)	Copper alloy (gold-plated 2U)
防水圈	Waterproof circle	硅胶	Silica gel	硅胶	Silica gel
阻燃等级	Flammability rating	UL94-V0	UL94-V0	UL94-V0	UL94-V0

型号标志代号 MODEL CODE

产品系列

Product series
YA YP YW YM
YK YF LP YZ

铜针类别

Type of needle
C-公针 male pin
J-母针 female pin
K-公母针 male&female pin
R-RJ45
U-USB
F-光纤 fibre optics

接线方式

Connecting of wire
0-焊接 solder
1-压接 pressure
2-锁线 lock
3-铆接 rivet
4-其他 others

特殊码颜色

special code
材料 material
颜色 color

YW **20** **C03** **PE** **01** **001**

空位安装尺寸
Installation size
16 20 24 36

铜针的芯数
No.of pins
02-单芯 2 pin
03-3芯 3 pin
04-4芯 4 pin
05-5芯 5 pin
07-7芯 7 pin
09-9芯 9 pin
12-12芯 12 pin

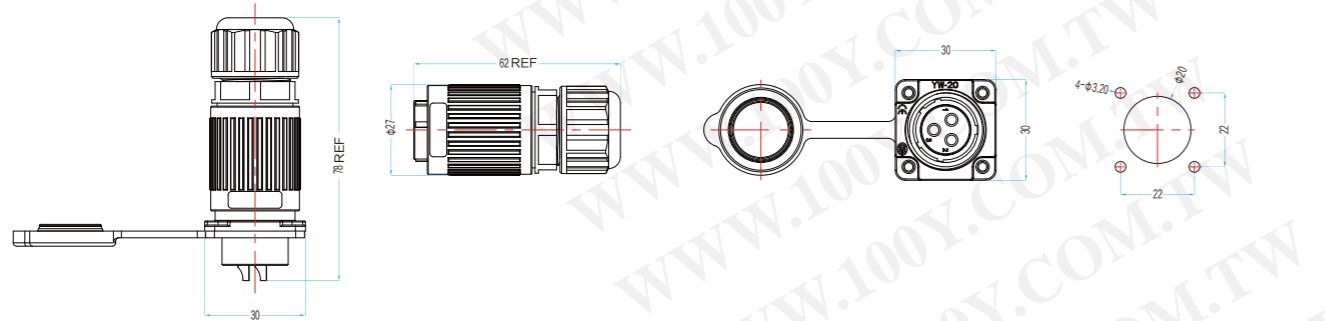
类别
Gender
PE-插头 plug
SX-插座 socket
PP-对接 connecting/dock

区分码
Generation
产品升级 for update

连接方式 CONNECTION SCHEMES



外形尺寸图 DIMENSION FIGURE



产品外型尺寸图
dimensions figure

夹爪紧固式插头PE (外型尺寸图)
PE clamping cable plug
(dimensions figure)

插座 SX (外型尺寸图)
SX socket (dimensions figure)

安装开孔图
Installation hole figure

YW-16

防水连接器
WATERPROOF CONNECTOR

简介

INTRODUCTION

YW-16连接器,符合16MM的开孔尺寸,通配与5A及10A电流的电源及信号传输,锌合金的外套结构设计,更符合信号传输的屏蔽要求,广泛应用于工业LED屏设计方案,音频及视频传输及其它的工业设备使用上。

YW-16 connectors meet 16MM hole size, the power and signal transmission through distribution and 5A and 10A current, coat of zinc alloy structural design, more in line with the signal transmission shielding requirements, widely used in industrial LED screen design, audio and video transmission and other industrial equipment .



YW-16-J03SX-02-001
母座(法兰)female socket (french)



YW-16-C03PE-02-001
公头 male plug

- 全锌合金外壳，具有完整的电磁及射频干扰保护，同时满足高档产品的匹配需求。
- 外圈螺旋锁紧装置，稳固安全。
- 16MM安装尺寸。
- 快速简便的螺母式设计锁定系统。
- 悬挂式防尘盖设计，有效的防止非工作状态的异物进入，安全性能高，操作方便。
- 5~10A rms 的额定电流。
- 外圈防滑的人体化设计。

- All zinc alloy shell, complete with electromagnetic and radio frequency interference protection, while meeting the needs of high-end products to match
- Outer screw locking device, a solid safety
- 16MM mounting dimensions
- Quick and easy nut locking system design
- Hanging dust cover design avoid matters; high safe performance, easy to operate
- 5-10A rms rated current
- Slip-resistant outer circle



防水盖Protective cover



电源线防水夹线圈
Waterproof clamping circle



① YW-16-C03PE-02-001



② YW-16-C09PE-02-001



③ YW-16-J03PE-02-001



④ YW-16-J09PE-02-001



锌合金内牙镀金触点
Zinc alloy thread and gold-plated copper contact



螺纹式锁紧设计
screw lock design



螺纹防滑设计
non-slip screw design

YW-16 系列产品规格参数表

YW-16 SERIES SPECIFICATIONS SHEET

芯数 PINS	3芯 3PINS	9芯 9PINS
正装 Male plug & Female socket	 YW-16-C03PE-02-001 公头 male plug	 YW-16-C09PE-02-001 公头 male plug
	 YW-16-J03SX-02-001 母座(法兰) female socket (french)	 YW-16-J09SX-03-001 母座(螺纹) female socket (Screw thread)
反装 Female plug & Male socket	 YW-16-J03PE-02-001 母头 female plug	 YW-16-J09PE-02-001 母头 female plug
	 YW-16-C03SX-02-001 公座(法兰) male socket (french)	 YW-16-C09SX-03-001 公座(螺纹) male socket (Screw thread)

排列图		3芯 3PINS	9芯 9PINS
线材规格	Cable specification	1.0m ² ~ 1.5m ² /18 ~ 16 AWG	0.15m ² ~ 0.2m ² /26-24 AWG
线径范围	Diameter range	Φ3mm ~ Φ7mm	Φ5.5mm ~ Φ7mm
接触件直径×数量	Contact diameter × number	Φ1.5×3	Φ1.0×9
额定电流(A)	Rated Current (A)	10A	5A
工作电压(AC.V.RMS)	Operating voltage (AC.V.rms)	500V	400V
接触电阻	Contact resistance	<2.5mΩ	<5mΩ
温升	Temperature rise	10A时温升在30°C以下 (10A contact temperature below 30°C) , 12A.....40°C , 15A.....50°C.	
耐电压(AC.V)1分钟	Withstanding Voltage (AC.V) 1 minute	2500V	1500V
绝缘电阻	Insulation resistance	> 500MΩ	> 500MΩ
防护等级	Protection level	IP65/IP67	IP65/IP67
耐久次数	Durability	> 500次	> 500次
工作温度	Working temperature	-40°C ~ 80°C	-40°C ~ 80°C
连接方式	Connecting mode	螺纹式连接 Screw connect	螺纹式连接 Screw connect
接线方式	Assembly wire	焊接式 Solder	焊接式 Solder

材料		3芯 3PINS	9芯 9PINS
外壳、绝缘部件	Housing, the insulating parts	高性能工程塑料	High-performance engineering plastics
五金	Hardware	锌合金(珍珠硬铬)	Zinc Alloy (pearl hard chrome)
铜针	Copper needles	铜合金(镀金4U/2U)	Copper alloy (gold-plated 4U/2U)
防水圈	Waterproof circle	硅胶	Silica gel
阻燃等级	Flammability rating	UL94-V0	UL94-V0

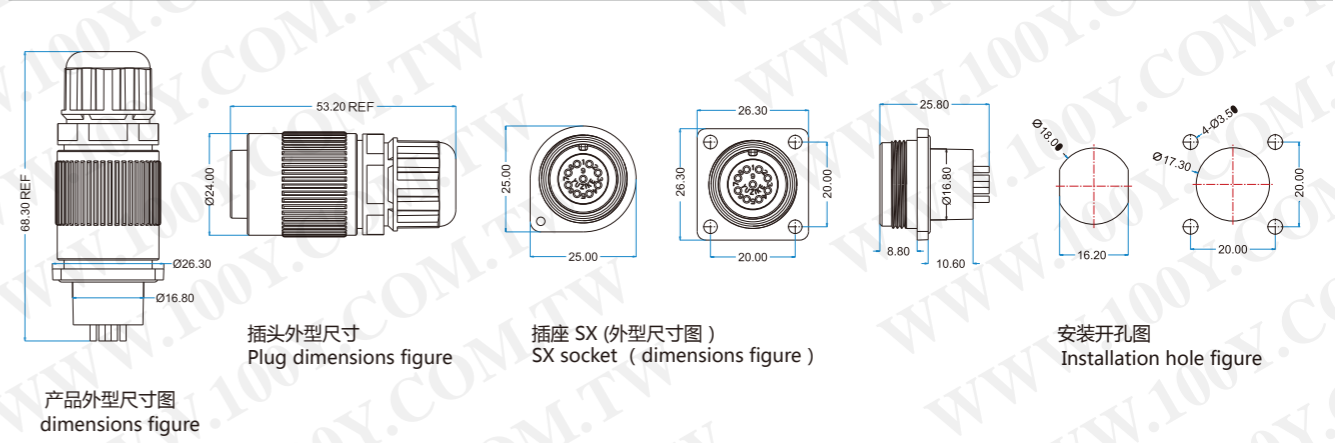
型号标志代号 MODEL CODE



连接方式 CONNECTION SCHEMES



外形尺寸图 DIMENSION FIGURE



YZ-20

防水连接器
WATERPROOF CONNECTOR

简介

INTRODUCTION

YZ-20连接器，满足不同的客户的工业需要，使用全锌合金金属的外壳结构及纯金电镀触电，符合高档的产品应用需求，使用旋转锁紧，安全牢固，3PIN电源及9PIN信号同时兼容，被广泛用于不同领域。

YZ-20 connectors, different industries to meet the needs of customers, using all-zinc alloy metal shell structure and the gold plating of electric shock, in line with the needs of high-end products and applications, using a rotary locking, security firm, 3PIN power and 9PIN compatible signal, is widely used in different fields.





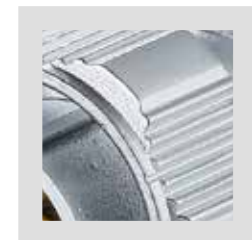
YZ-20-C03PE-01-001
公头 Male plug



YZ-20-J03SX-01-001
母座 Female socket

- 全锌合金外壳，具有完整的电磁及射频干扰保护，同时满足高档产品的匹配需求。
- 外圈螺旋锁紧装置，稳固安全。
- 20MM安装尺寸。
- 快速简便的螺母式设计锁定系统。
- 悬挂式防尘盖设计，有效的防止非工作状态的异物进入，安全性能高，操作方便。
- 2-12芯可选。
- 5~20A rms 的额定电流。
- 外圈防滑的人体化设计。
- 防护等级IP65/IP67。

- All zinc alloy shell, complete with electromagnetic and radio frequency interference protection, while meeting the needs of high-end products to match
- Outer screw locking device, a solid safety
- 20MM optional mounting dimensions
- Quickly and easy nut locking system design
- Hanging dust cover design avoid matters; high safe performance, easy to operate
- 2-12pins for choice
- 5-20A rms rated current
- Slip-resistant outer circle
- Protection level:IP65/IP68



符合人机工程学防滑设计
Ergonomics Slip-resistant



标准滑扣锁紧
Sliding buckle locking



五位定位柱
Orientation



电源线防水夹线圈
waterproof clamping circle



防水盖
Protective cover



硅胶垫片
Silicone gasket

YZ-20母头公座
YZ-20 Male Socket And Female Plug



YZ-20-J02PE-01-001



YZ-20-J03PE-01-001



YZ-20-J04PE-01-001



YZ-20-J05PE-01-001



YZ-20-J07PE-01-001



YZ-20-J09PE-01-001



YZ-20-J12PE-01-001

YZ-20公头母座
YZ-20 Male Plug And Female Socket



YZ-20-C02PE-01-001



YZ-20-C03PE-01-001



YZ-20-C04PE-01-001



YZ-20-C05PE-01-001



YZ-20-C07PE-01-001










YZ-20-C09PE-01-001



YZ-20-C12PE-01-001

YZ-20 系列产品规格参数表
YZ-20 SERIES SPECIFICATIONS SHEET

芯数 PINS	2芯 2PINS	3芯 3PINS	4芯 4PINS	5芯 5PINS	7芯 7PINS	9芯 9PINS	12芯 12PINS
产品图 PICTURE	正装 Male plug & Female socket  YZ-20-C02PE-01-001 公头 male plug YZ-20-J02SX-01-001 母座 female socket	 YZ-20-C03PE-01-001 公头 male plug YZ-20-J03SX-01-001 母座 female socket	 YZ-20-C04PE-01-001 公头 male plug YZ-20-J04SX-01-001 母座 female socket	 YZ-20-C05PE-01-001 公头 male plug YZ-20-J05SX-01-001 母座 female socket	 YZ-20-C07PE-01-001 公头 male plug YZ-20-J07SX-01-001 母座 female socket	 YZ-20-C09PE-01-001 公头 male plug YZ-20-J09SX-01-001 母座 female socket	 YZ-20-C12PE-01-001 公头 male plug YZ-20-J12SX-01-001 母座 female socket
	反装 Female plug & Male socket  YZ-20-J02PE-01-001 母头 female plug YZ-20-C02SX-01-001 公座 male socket	 YZ-20-J03PE-01-001 母头 female plug YZ-20-C03SX-01-001 公座 male socket	 YZ-20-J04PE-01-001 母头 female plug YZ-20-C04SX-01-001 公座 male socket	 YZ-20-J05PE-01-001 母头 female plug YZ-20-C05SX-01-001 公座 male socket	 YZ-20-J07PE-01-001 母头 female plug YZ-20-C07SX-01-001 公座 male socket	 YZ-20-J09PE-01-001 母头 female plug YZ-20-C09SX-01-001 公座 male socket	 YZ-20-J12PE-01-001 母头 female plug YZ-20-C12SX-01-001 公座 male socket

排列图							
线材规格	Cable specification 2.5mm ² ~ 4mm ² / 14 ~ 12 AWG			1.0mm ² ~ 1.5mm ² / 18 ~ 16 AWG		0.15mm ² ~ 0.2mm ² / 26-24 AWG	
线径范围	Diameter range Φ8mm ~ Φ12mm			Φ7mm ~ Φ9mm		Φ5.5mm ~ Φ7mm	
接触件直径×数量	Φ2.7×2	Φ2.7×3	Φ2.7×4	Φ2.0×5	Φ2.0×7	Φ1.0×9	Φ1.0×12
额定电流(A)	20A			12A		5A	
工作电压(AC.V.RMS)	500V			500V		400V	
接触电阻	<1mΩ			<2.5mΩ		<5mΩ	
温升	20A时温升在30℃以下 (20A contact temperature below 30℃), 25A.....40℃, 30A.....50℃.			12A.....30℃, 15A.....40℃, 20A.....50℃.		/	
耐电压(AC.V)1分钟	2500V			2500V		1500V	
绝缘电阻	> 500MΩ			> 500MΩ		> 500MΩ	
防护等级	IP65/IP67			IP65/IP67		IP65/IP67	
耐久次数	> 500次			> 500次		> 500次	
工作温度	-40℃ ~ 80℃			-40℃ ~ 80℃		-40℃ ~ 80℃	
连接方式	1/4快速卡口连接 1/4 bayonet connect			1/4快速卡口连接 1/4 bayonet connect		1/4快速卡口连接 1/4 bayonet connect	
接线方式	焊接式 Solder			焊接式 Solder		焊接式 Solder	

材料		高性能工程塑料	High-performance engineering plastics	高性能工程塑料	High-performance engineering plastics
外壳、绝缘部件	Housing, the insulating parts	高性能工程塑料	High-performance engineering plastics	高性能工程塑料	High-performance engineering plastics
五金	Hardware	锌合金(珍珠硬铬)	Zinc Alloy (pearl hard chrome)	锌合金(珍珠硬铬)	Zinc Alloy (pearl hard chrome)
铜针	Copper needles	铜合金(镀金4U)	Copper alloy (gold-plated 4U)	铜合金(镀金2U)	Copper alloy (gold-plated 2U)
防水圈	Waterproof circle	硅胶	Silica gel	硅胶	Silica gel
阻燃等级	Flammability rating	UL94-V0	UL94-V0	UL94-V0	UL94-V0

型号标志代号 MODEL CODE

产品系列 Product series YA YP YW YM YK YF LP YZ	铜针类别 Type of needle C-公针 male pin J-母针 female pin K-公母针 male&female pin R-RJ45 U-USB F-光纤 fibre optics	接线方式 Connecting of wire 0-焊接 solder 1-压接 pressure 2-锁线 lock 3-铆接 rivet 4-其他 others	特殊码颜色 special code 材料 material 颜色 color		
YZ	20	C03	PE	01	001
空位安装尺寸 Installation size 16 20 24 36	铜针的芯数 No.of pins 02-单芯 2 pin 03-3芯 3 pin 04-4芯 4 pin 05-5芯 5 pin 07-7芯 7 pin 09-9芯 9 pin 12-12芯 12 pin	类别 Gender PE-插头 plug SX-插座 socket PP-对接 connecting/dock	区分码 Generation 产品升级 for update		

YT-RJ45

防水连接器
WATERPROOF CONNECTOR

简介

INTRODUCTION

YT-RJ45为在苛刻的环境中进行信号的传输提供解决方案, 这些接插件, 对于以太网在音频, 商业, 娱乐, 现场的舞台设备, DMX照明, 工业和室外网络连接环境中的应用尤其适合。YT-RJ45系列提供电缆护套, 组装的母插头, 直通插头, 电缆耦合器和防护样式, IP65/IP67的防护等级对于安装箱体成最强保护。

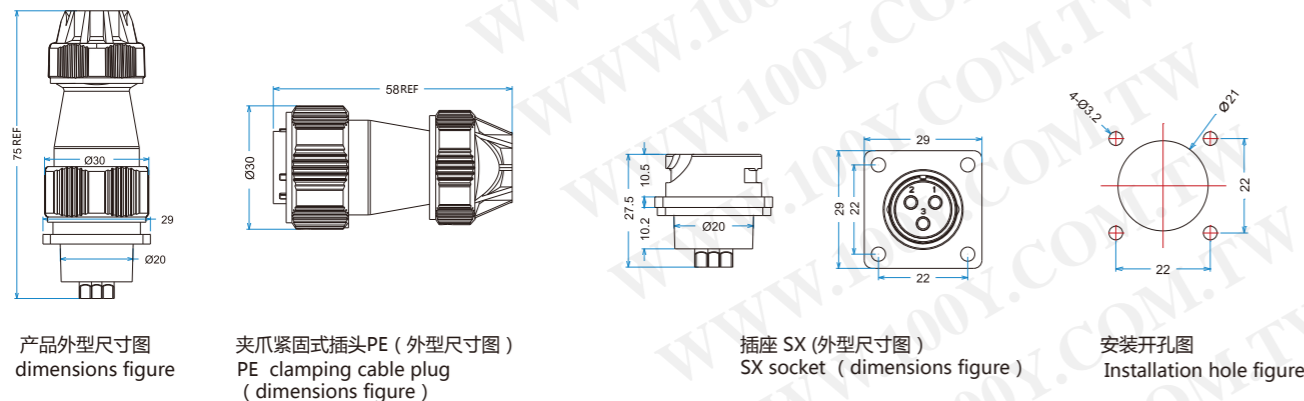
YT-RJ45 can provide the solutions for signal transmission in harsh environments. Specially these connectors can apply for industrial ethernet in audio, business, amusement, live stage action, DMX lighting, industrial and outdoor in network environments.

YT-RJ45 series can provide cable jacket, assembly female plug, straight plug, cable coupler, protective style, it is the strongest protection for installation of the box with the protection level of IP65/IP67.

连接方式 CONNECTION SCHEMES



外形尺寸图 DIMENSION FIGURE





YT-RJ45-JSX-01-001
RJ45-01插座 female socket



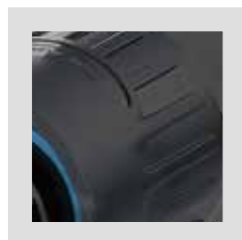
YT-RJ45-CPE-01-001
RJ45-01插头 male plug

- 根据EIA568B各ISO/IEC11801标准符合D等极或CAT3e,兼容CAT5e, 可实现10GBIT/S的数据传输率。
- 多款式的连接设计, 1/4快速卡口连接 (YT01), 快速插拔 (YT09/04)。
- RJ45系统, 用于粗糙的苛刻的环境。
- 电缆护套具有坚固的压铸外壳和独特的双夹式夹线套。
- 电缆连接器护套可用于最普通的RJ45插头。
- 防水及不防水设计, 防水产品在连接状态防水防尘等级达到IP65。
- 具有防风雨电镀外壳。
- 屏蔽系统---高频噪音免疫和电磁干扰保护。

- Compliance with D level or CAT 3e standard of EIA568B and ISO/IEC11801,RJ45 connectors compatible CAT5e, data transfer rate reach 10GBIT/S
- Multi-style connecting modes: 1/4 bayonet connect (YT01), quickly plug/unplug(YT09/04)
- Applicable for harsh environments
- Cable jacket with solid diecasted shell and unique dual-clip-clip wire saddle
- Sheath of cable applicable for common RJ45 plugs
- Waterproof and non-waterproof design, protection level IP65 if waterproof and dustproof
- Electroplated shell against wind and rain
- Shielding system with high frequency noise immunity and electromagnetic interference protection



RJ45直接网口
RJ45-01 direct ethernet port



防火PBT材质
fireproof PBT material



RJ45网口直接插拔
RJ45 straight connect



双网口PCB转接
PCB switch



YT-RJ45-JSX-04-001
RJ45-02插座(双网口金属)
female socket (dual metal ethernet ports)



YT-RJ45-CPE-03-001
RJ45-02插头(金属外壳)
Male Plug(metal shell)



防尘配件
dustproof cushion

- 根据EIA568B各ISO/IEC11801标准符合D等极或CAT3e,兼容CAT5e, 可实现10GBIT/S的数据传输率。
- 多款式的连接设计, 1/4快速卡口连接 (YT01), 快速插拔 (YT09/04)。
- RJ45系统, 用于粗糙的苛刻的环境。
- 电缆护套具有坚固的压铸外壳和独特的双夹式夹线套。
- 电缆连接器护套可用于最普通的RJ45插头。
- 防水及不防水设计, 防水产品在连接状态防水防尘等级达到IP65。
- 具有防风雨电镀外壳。
- 屏蔽系统---高频噪音免疫和电磁干扰保护。

- Compliance with D level or CAT 3e standard of EIA568B and ISO/IEC11801,RJ45 connectors compatible CAT5e, data transfer rate reach 10GBIT/S
- Multi-style connecting modes: 1/4 bayonet connect (YT01), quickly plug/unplug(YT09/04)
- Applicable for harsh environments
- Cable jacket with solid diecasted shell and unique dual-clip-clip wire saddle
- Sheath of cable applicable for common RJ45 plugs
- Waterproof and non-waterproof design, protection level IP65 if waterproof and dustproof
- Electroplated shell against wind and rain
- Shielding system with high frequency noise immunity and electromagnetic interference protection



背面图
back



防水夹线圈 Waterproof coil clip



专利性的网口设计
patent ethernet ports



独特的CNLINKO标志
unique CNLINKO logo



认证标识
CE certification



YT-RJ45-CPE-09-001
RJ45-09直通式插头
straight plug

YT-RJ45-JSX-09-001

RJ45-09直通式插座01(双网口IP65)
female socket 01(straight dual ethernet ports IP65)

- 根据EIA568B各ISO/IEC11801标准符合D等级或CAT3e,兼容CAT5e,可实现10GBIT/S的数据传输率。
- 多款式的连接设计, 1/4快速卡口连接(YT01), 快速插拔(YT09/04)。
- RJ45系统, 用于粗糙的苛刻的环境。
- 电缆护套具有坚固的压铸外壳和独特的双夹式夹线套。
- 电缆连接器护套可用于最普通的RJ45插头。
- 防水及不防水设计, 防水产品在连接状态防水防尘等级达到IP65。
- 具有防风雨电镀外壳。
- 屏蔽系统---高频噪音免疫和电磁干扰保护。

- Compliance with D level or CAT 3e standard of EIA568B and ISO/IEC11801,RJ45 connectors compatible CAT5e, data transfer rate reach 10GBIT/S
- Multi-style connecting modes: 1/4 bayonet connect (YT01), quickly plug/unplug(YT09/04)
- Applicable for harsh environments
- Cable jacket with solid diecasted shell and unique dual-clip-clip wire saddle
- Sheath of cable applicable for common RJ45 plugs
- Waterproof and non-waterproof design, protection level IP65 if waterproof and dustproof
- Electroplated shell against wind and rain
- Shielding system with high frequency noise immunity and electromagnetic interference protection



YT-RJ45-JSX-20-200
RJ45信号转换器
Signal converter



清晰的动作标识
clear push symbol



防水按扣
waterproof push button



PCB板网线转接
PCB switch



直通式连接
straight connect



IP65硅胶防水胶垫
IP65 waterproof silica gel



PCB焊接转换
PCB switch



YT-RJ45-CPE-04-001
RJ45-04按扣式插头
snap-fastener plug



YT-RJ45-JSX-19-001
按扣式插座(单网口IP44)
snap-fastener socket
(single ethernet port IP44)



YT-RJ45-JSX-18-001
按扣式插座(双网口IP44)
snap-fastener socket
(dual ethernet ports IP44)

- 根据EIA568B各ISO/IEC11801标准符合D等级或CAT3e,兼容CAT5e,可实现10GBIT/S的数据传输率。
- 提供D型面板连接器, 金属外壳及锁定系统。
- 屏蔽系统---高频噪音免疫和电磁干扰保护。
- 推拉设计, 提供安全锁系统, 直通或PCB转接, 提供可选择安装。
- 电缆护套具有坚固的压铸外壳和独特的卡套式夹线套。
- 防水及不防水设计, 防水产品在连接状态防水防尘等级达到IP65。
- 坚固的连接体系为恶劣的环境下进行宽带数据传输提供方案。
- 连接器不配网线及水晶头。

- Compliance with D level or CAT 3e standard of EIA568B and ISO/IEC11801,RJ45 connectors compatible CAT5e, data transfer rate reach 10GBIT/S
- D-panel connectors, metal shell and locking system
- Shielding system with high frequency noise immunity and electromagnetic interference protection
- Push-pull design with secure locking system, and optional installation of straight or PCB adapter
- Cable jacket with solid diecasted shell and unique dual-clip-clip wire saddle
- Waterproof and non-waterproof design, protection level IP65 if waterproof and dustproof
- Solid connections system can provide the solutions for data transmission in harsh environments
- Not included crystal head and cable



YT-RJ45-JSX-16-001
按扣式插座(双网口IP65)
snap-fastener socket
(dual ethernet ports IP65)



YT-RJ45-JSX-17-001
按扣式插座(单网口IP65)
snap-fastener socket
(single ethernet port IP65)

YT-RJ45 系列产品规格参数表
YT-RJ45 SERIES SPECIFICATIONS SHEET



排列图					
线材规格	Cable specification	0.15m ² ~ 0.2m ² /26-24 AWG		0.15m ² ~ 0.2m ² /26-24 AWG	
线径范围	Diameter range	Φ5.5mm ~ Φ7mm		Φ5.5mm ~ Φ7mm	
触点数量	Contact diameter × number	8		8	
额定电流(A)	Rated Current (A)	1.5A		1.5A	
耐电压(V/DC)	Operating voltage (AC.V.rms)	1000V		1000V	
接触电阻	Contact resistance	<30mΩ		<30mΩ	
绝缘电阻	Insulation resistance	> 500MΩ		> 500MΩ	
防护等级	Protection level	IP65/IP67		IP65/IP67	
耐久次数	Durability	> 500次		≥500次	
工作温度	Working temperature	-40°C ~ 80°C		-40°C ~ 80°C	
连接方式	Assembly Wire	1/4快速卡口连接	拔插式连接	1/4快速卡口连接	推拉式连接
		1/4 bayonet connect	Plug/unplug	1/4 bayonet connect	Pull/push

材料					
外壳、绝缘部件	Housing, the insulating parts	高性能工程塑料	High-performance engineering plastics	高性能工程塑料	High-performance engineering plastics
五金	Hardware	锌合金(珍珠硬铬)	Zinc Alloy (pearl hard chrome)	锌合金(珍珠硬铬)	Zinc Alloy (pearl hard chrome)
铜针	Copper needles	铜合金(镀金 4U)	Copper alloy (gold-plated 4U)	铜合金(镀金 2U)	Copper alloy (gold-plated 2U)
防水圈	Waterproof circle	硅胶	Silica gel	硅胶	Silica gel
阻燃等级	Flammability rating	UL94-V0	UL94-V0	UL94-V0	UL94-V0

YT-RJ45

产品系列

Product series
YA YP YW YM
YK YF LP YZ

铜针类别

Type of needle
C-公针 male pin
J-母针 female pin
K-公母针 male&female pin
R-RJ45
U-USB
F-光纤 fibre optics

接线方式

Connecting of wire
0-焊接 solder
1-压接 pressure
2-锁线 lock
3-铆接 rivet
4-其他 others

特殊码颜色

special code
材料 material
颜色 color

YT **20** **C03** **PE** **01** **001**

空位安装尺寸
Installation size
16 20 24 36

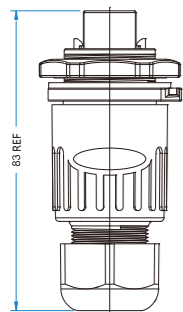
铜针的芯数
No. of pins
02-单芯 2 pin
03-3芯 3 pin
04-4芯 4 pin
05-5芯 5 pin
07-7芯 7 pin
09-9芯 9 pin
12-12芯 12 pin

类别
Gender
PE-插头 plug
SX-插座 socket
PP-对接 connecting/dock

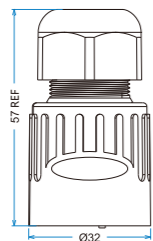
区分码
Generation
产品升级for update



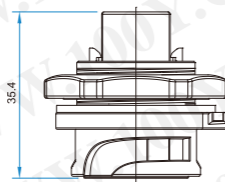
外形尺寸图 DIMENSION FIGURE



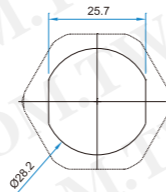
产品外形尺寸图
dimensions figure



夹爪紧固式插头PE (外形尺寸图)
PE clamping cable plug
(dimensions figure)

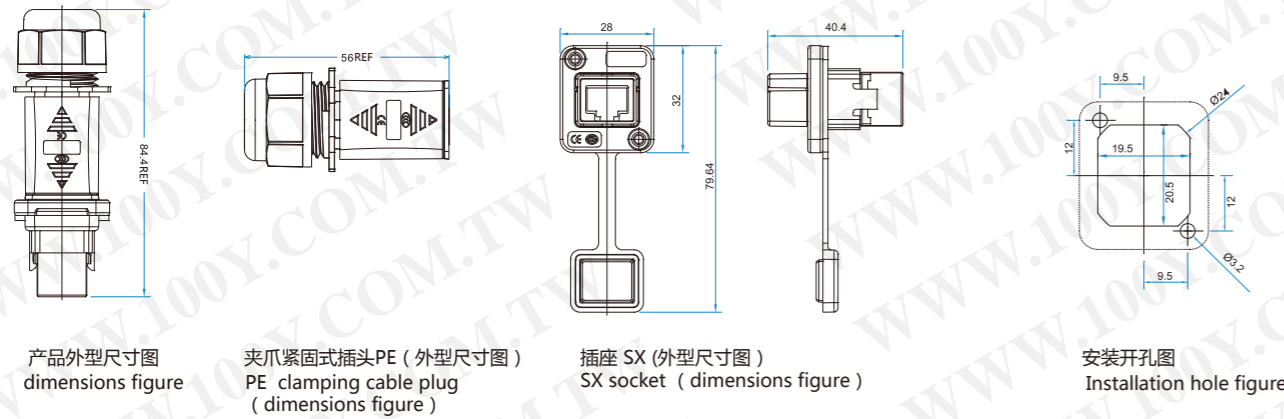


插座 SX (外形尺寸图)
SX socket (dimensions figure)



安装开孔图
Installation hole figure

外形尺寸图 DIMENSION FIGURE RJ45-02

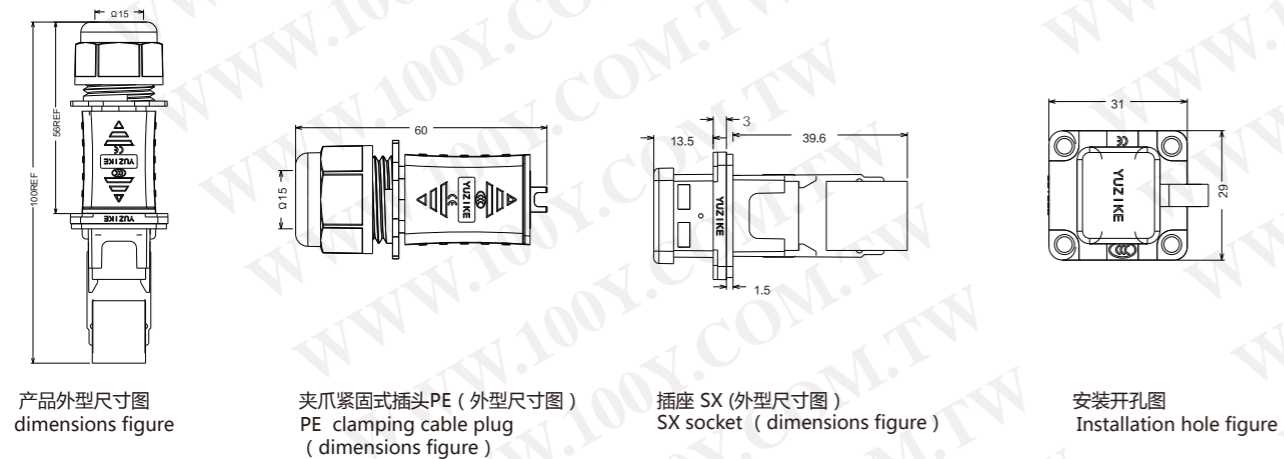


YU-USB 简介
INTRODUCTION

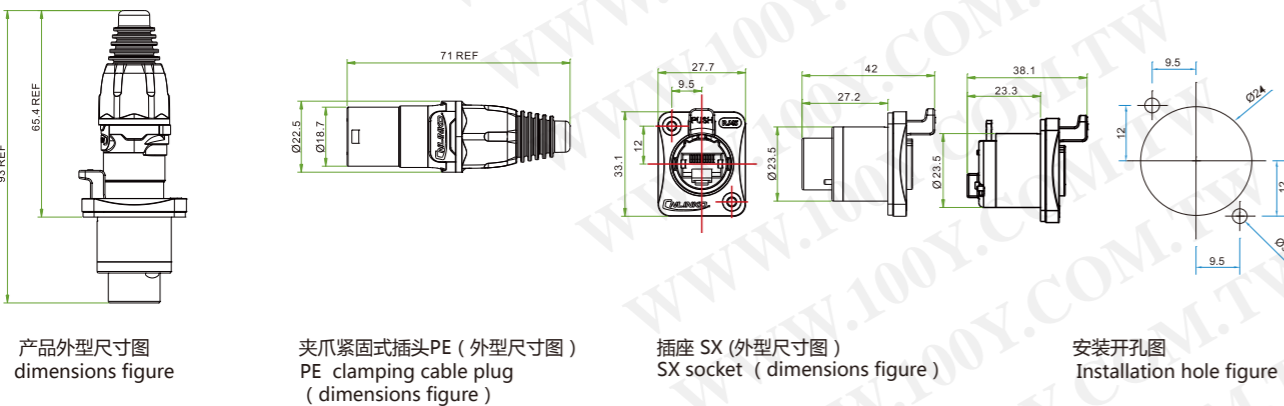
YU-USB插头及插座，使用于数据传输，因即插即用，传输速率快，可扩展性强，被广泛应用于计算机，数码相机，扫描仪及其它的数据传输设备，本系列产品多样，可实现公母转换对接，独立母座，公头带线等。

YU-USB plugs and sockets are applicable to data transmission with quickly plug, fast transfer rate and strongly extensibility .They are widely used in computers, digital cameras, scanner and other transmission equipment. Varies types, can achieve male and female conversion docking, independent female, male with cable and so on.

外形尺寸图 DIMENSION FIGURE RJ45-02



外形尺寸图 DIMENSION FIGURE RJ45-04 新款(new)



胜特力材料 886-3-5753170
胜特力电子(上海) 86-21-34970699
胜特力电子(深圳) 86-755-83298787
[Http://www.100y.com.tw](http://www.100y.com.tw)



YU-USB3-CPI-01-100
USB3.0插头带线(一头包胶)
USB3.0 male plug with cable (single rubber coating)



YU-USB3-JSX-01-001
USB3.0母座(不带线)
USB3.0 female socket(without cable)



YU-USB3-JSX-01-001

- 独立的USB3.0插座设计, 无需工具协助, 安装方便, 操作简易。
- 实现双头公母转接, 卡扣锁紧, 安全牢固。
- 可选线长订制。
- 兼容USB2.0, 连接状态防水防尘等级达IP67。
- 电缆护套设计, 有效保护电缆的出线。
- 坚固的连接体系为恶劣的环境下进行数据传输提供方案。

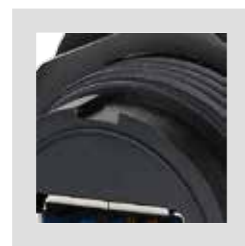
- Independent USB3.0 socket design, easy to install and operate
- Achieve double-headed male to female adapter, snap locking, ensure safe and stable
- Cable can be customized
- Compatible with USB2.0, protection level IP67
- Sheath of cable protect cable outlet well
- Solid connections system can provide the solutions for data transmission in harsh environments



YU-USB3-JSX-03-100
公头母座 标准线长1M
male plug+female socket with cable 1M



YU-USB2-JSX-01-001



1/2卡口锁紧
1/2 bayonet connect



6U镀金触点
6U gold-plated copper contact



产品图
PICTURE



YU-USB3-CPI-01-100
USB3.0插头带线(一头包胶)
USB3.0 male plug with cable
(single rubber coating)



YU-USB3-CPI-02-100
USB3.0插头带线(两头包胶)
USB3.0 male plug with cable
(Double rubber coating)



YU-USB3-JSX-01-001
USB3.0母座
USB3.0 female socket



YU-USB2-CPI-01-100
USB2.0插头带线(一头包胶)
USB2.0 male plug with cable
(single rubber coating)



YU-USB3-JSX-03-100
公头母座 标准线长1M
male plug + female socket with cable 1M



YU-USB2-JSX-01-001
USB2.0母座
USB2.0 female socket

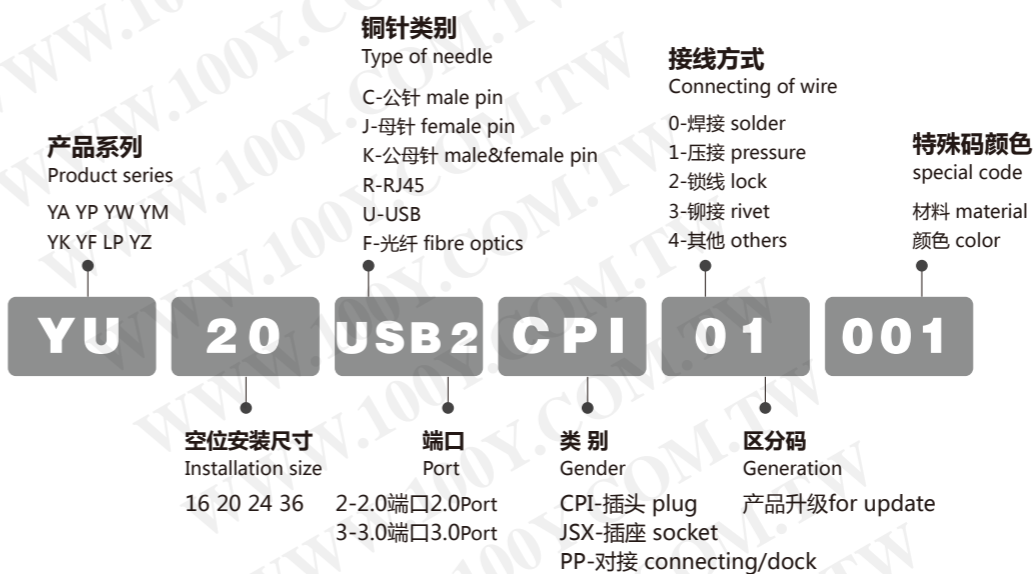
排列图

线材规格	Cable specification	0.15m ² ~ 0.2m ² /26-24 AWG
线径范围	Diameter range	Φ5.5mm ~ Φ7mm
接触数量	Contact diameter × number	9 4
额定电流(A)	Rated Current (A)	1.5A
接触电阻	Contact resistance	<30mΩ
耐电压(AC.V)1分钟	Withstanding Voltage (AC.V) 1 minute	1000V
绝缘电阻	Insulation resistance	> 500MΩ
防护等级	Protection level	IP67
耐久次数	Durability	> 500次
工作温度	Working temperature	-40°C ~ 80°C
连接方式	Connecting mode	快速卡口连接 Quickly bayonet connect

材料

外壳、绝缘部件	Housing, the insulating parts	高性能工程塑料	High-performance engineering plastics
五金	Hardware	锌合金(珍珠硬铬)	Zinc Alloy (pearl hard chrome)
铜针	Copper needles	铜材外壳	Copper Shell
防水圈	Waterproof circle	硅胶	Silica gel
阻燃等级	Flammability rating	UL94-V0	UL94-V0

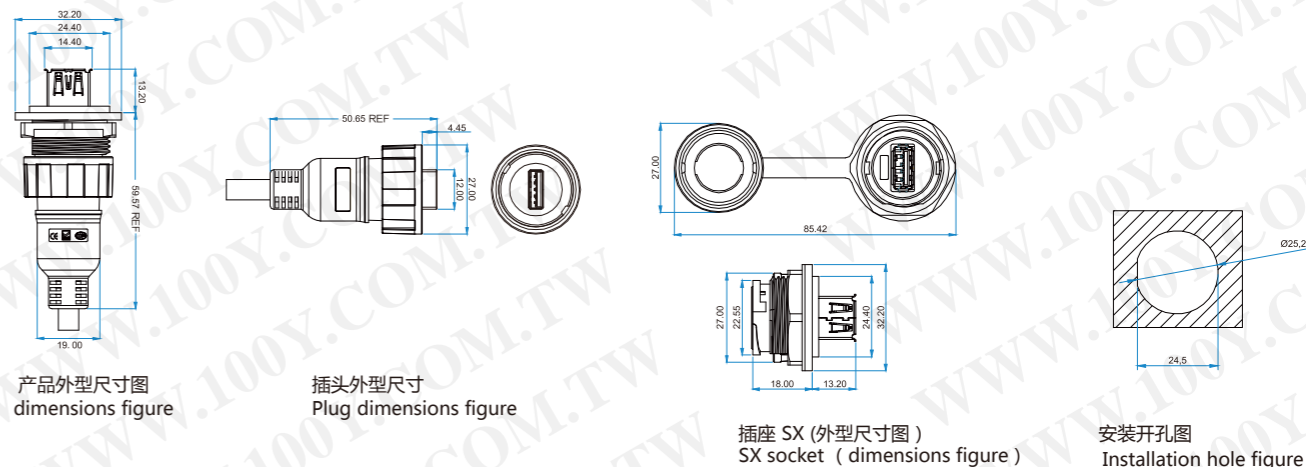
型号标志代号 MODEL CODE



连接方式 CONNECTION SCHEMES



外形尺寸图 DIMENSION FIGURE





- 1、使用标准的国标线材，2PIN、3PIN、4PIN、5PIN、9PIN电源线及网线可选，依客户的实际需求可作不同长度订制。
- 2、标准线长为1M。
- 3、使用线材及插头配套，提供不同的插头连接方案，解决不同环境下的连接器使用环境要求。
- 4、方便、简洁，无需附加加工工序。

1. We are using the international cable standardized . There are multi-pins for your options: 2PIN, 3PIN, 4PIN, 5PIN and 9PIN for power cord and network cable, while the cable can be customized.
- 2.Cable standard: 1M .
- 3.Using a set of wire and plug/ socket, providing different connection schemes, thus enabling our connectors to solve up environmental requirements under different circumstances.
4. Flexible and simple, without additional process.



Part No:LP-20-C03PE-03-100
LP20型3芯(公头+母头+线材)
LP-20 Series 3 pin (male plug and female plug with cable)



Part No:LP-24-C03PE-01-100
LP24型3芯 (公头+母头+线材)
LP24 Series 3 pin (male plug and female plug with cable)



Part No:LP-24-RJ45-P01-100
LP24 RJ45插头 (双头+线材)
LP24 RJ45 Plug(two plug with cable)



Part No:YP-20-C03PE-03-100
YP20型3芯 (公头+母头+线材)
YA20 Series 3 pin (male plug and female plug with cable)



Part No:YF-24-C03PE-06-100

YF二代插头 (黑IP65、双头+线材)
YF Generation 2 (Black IP65,Two plugs with cable)



Part No:YF-24-J03PE-04-100

YF二代插头 (橙黄IP65、双头+线材)
YF Generation 2 (Orange IP65,Two plugs with cable)



Part No:YW-20-C03PE-02-100

YW20二代3芯 (公头+母头+线材)
YW20 Series 3 pin (male plug and female plug with cable)



Part No:YW-20-C09PE-02-100

YW20二代9芯 (公头+母头+线材)
YW20 Series 9 pin (Male plug and Female plug with cable)



Part No:YF-24-C03PE-09-100

YF二代插头 (蓝IP44、双头+线材)
YF Generation 2 (Blue IP44,Two plugs with cable)



Part No:YF-24-J03PE-03-100

YF二代电源插头 (灰IP44、双头+线材)
YF Generation 2 (Grey IP44,Two plugs with cable)



Part No:YW-16-C09PE-02-100

YW16二代9芯 (公头+母头+线材)
YW16 series 9 pin (male plug and female plug with cable)



Part No:YZ-20-C03PE-03-100

YZ 20型3芯 (公头+母头+线材)
YZ20 Series 3 pin (male plug and female plug with cable)



Part No:YA-20-C03PE-03-001

YA20型3芯(公头+母头SR线材)
YA20 Series 3 pin (Male plug and female plug with SR cable)



Part No:YA-20-C09PE-05-100

YA20型9芯 (公头+母头+线材)
YA20 series 9 pin (male plug and female plug with cable)



Part No:YZ-20-C09PE-01-100

YZ 20型9芯 (公头+母头+线材)
YZ20 Series 9 pin (male plug and female plug with cable)



Part No:YT-RJ45-CPE-02-100

RJ45-09双头(带线材)
RJ45-09 Two plug with cable



Part No:YM-20-C03PE-01-100

YM20型3芯 (公头+母头+线材)
YM20 Series(Male plug and female plug with cable)



Part No:YM-20-C09PE-01-100

YM20型9芯 (公头+母头+线材)
YM20 series 9pin (male plug and female plug with cable)



Part No:YT-RJ45-CPE-04-100

RJ45按扣式防水插头 (双头带线材)
RJ45 snap fastener IP65 (two plugs with cable)



Part No:YT-RJ45-CPE-04-100

RJ45按扣式不防水插头 (双头+线材)
RJ45 snap fastener IP44 Plug (two plug with cable)

IEC-60309

防水连接器
WATERPROOF CONNECTOR

简介

INTRODUCTION

本产品符合国际IEC60309-2、IEC60309-1标准，同时符合GB/T11918-2001，GB/T11919-2001国家标准，并通过欧洲权威测试机构的CE认证，ROSH认证，采用便携式的安装设计，可在多种工程设备上安装配套使用，防尘，防潮，防腐和阻燃性，耐高温，抗老化，韧性大，抗冲击性好，光洁度高，以及大电流软接触的优点。使系列产品的质量与性能均与进口的一线品牌相媲美，被广泛运用于采矿，石油化工，建筑，码头，工厂，会展中心及市政工程。

This product complies with international standard IEC 60309-2, IEC60309-1 and also consistent with national standards GB/T11918, GB/T11919-2001 and also passed the authority of the European CE and RoHS, it use of portable installation design and used at supporting installation. our products are dust-proof, moisture, corrosion and flame retardant, high temperature resistant, anti-aging, toughness, impact resistance, as well as the advantages of larger current. Quality and performance is same with connector importing, they are widely used in mining, petrochemical construction, docks, factories, convention centers and municipal engineering.





- 便携式的安装方式，可在多种工程设备上安装配套使用，防尘，防潮，防腐和阻燃性，耐高温，抗老化，韧性大，抗冲击性好，光洁度高，以及大电流软接触的优点。使系列产品的质量与性能均与进口的一线品牌相媲美，被广泛运用于采矿，石油化工，建筑，码头，工厂，会展中心及市政工程。
- 产品符合国际IEC60309-2、IEC60309-1标准，同时符合GB/T11918-2001，GB/T11919-2001国家标准，并通过欧洲权威测试机构的CE认证，ROHS认证。
- 产品通过严格的震动模拟测试，测试频率10-500HZ，加速度10g，位移1.5MM，震动过程中产品0.1微秒内无瞬断现象。
- 可靠的防水、防退装置——面对各种实际应用的顶级方案，接线安全、螺丝防退装置——手动安装，简单、灵活、快捷没有比这更好的连接装置……。
- 接触端子采用高性能铍铜材质，冠簧接触结构，纯金电镀工艺，有效降低温升，并减少了在插、拔过程中的摩擦，同时还起着轻松插拔，自清洁作用。



- Portable installation, with dustproof ,moistureproof ,corrosionproof,flame retardant,high temperature resistant,anti-aging ,toughness,impact resistance and high current
- Have high quality and performance,they are widely used in mining,petrochemical construction,docks, factories,covention centers and municipal engineering
- Products comply with international standard IEC60309-2,IEC60309-1,and consistent with national standards GB/T11918-2001.GB/T11919-200,and also have passed CE&ROHS certification
- Products passed the rigorous testing,Test frequency 10-500HZ,acceleration of 10g,displacement 1.5mm,vibration free within the product off 0.1 microsecond transient process
- Waterproof ,wiring safety which face a varley of practical applications in the top programs wiring safety,screw preventing device,manually install,simple,flexible,and fast
- Using high quality of beryllium copper contact terminals , spring contacts and gold-plated technology to control temperature and reduce the friction during the push and plug.Also easy to plug and self-cleaning

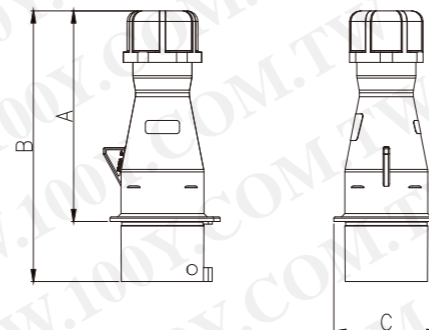
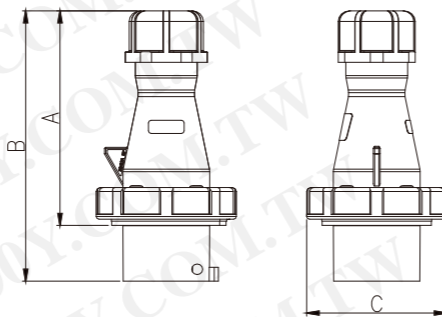




		3	4	5	110 V 50-60 Hz	230 V 50-60 Hz	400 V 50-60 Hz	500 V 50-60 Hz	>50 -500 V 300-500 Hz	>50 -500 V 100-300 Hz
		2P+E	3P+E	3P+N+E						
选型代号 Code	电流 Current rating	16	16	16	16	16	16	16	16	16
	极数 Pole	3	4	5	3	4	5	3	4	5
	IP 67 CEE / IEC 插头，带螺钉接线端子，一体外壳结构 Plug, screw wiring terminal									
		32	32	32	32	32	32	32	32	32
		277	280	286	278	281	287	283	284	285
		289	292	298	290	293	299	295	296	297
		279	282	288	281	284	290	283	284	285
		291	294	300	290	293	299	295	296	297

		3	4	5	110 V 50-60 Hz	230 V 50-60 Hz	400 V 50-60 Hz	500 V 50-60 Hz	>50 -500 V 300-500 Hz	>50 -500 V 100-300 Hz
		2P+E	3P+E	3P+N+E						
选型代号 Code	电流 Current rating	16	16	16	16	16	16	16	16	16
	极数 Pole	3	4	5	3	4	5	3	4	5
	IP 44 CEE / IEC 插头，带螺钉接线端子，一体外壳结构 Plug, screw wiring terminal									
		32	32	32	32	32	32	32	32	32
		247	250	256	248	251	257	253	2168	2271
		259	262	268	260	263	269	265	2189	2243
		249	252	258	248	251	257	253	2189	2243
		261	264	270	260	263	269	265	2195	2341
		266	271	277	266	269	275	266	2244	267
		268	273	279	268	271	277	268	2244	2178

电流(A) Current rating	16			32		
极数(P) Pole	3	4	5	3	4	5
A	107	107	127	156	156	156
B	141	141	146	205	205	205
C	72	72	88	95	95	102
线径范围 (mm ²) wire gauge	1.5~4	1.5~4	1.5~4	2.5~10	2.5~10	2.5~10



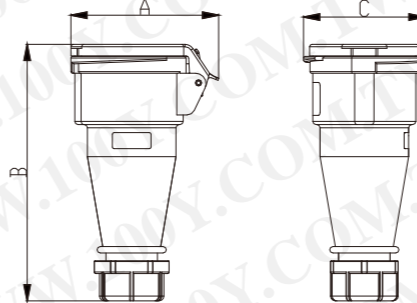
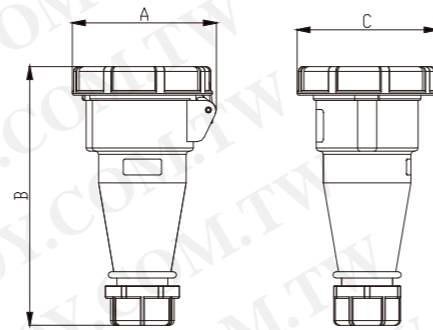
电流(A) Current rating	16			32		
极数(P) Pole	3	4	5	3	4	5
A	107	107	127	156	156	156
B	141	141	161	205	205	205
C	52	58	65	76	76	80
线径范围 (mm ²) wire gauge	1.5~4	1.5~4	1.5~4	2.5~10	2.5~10	2.5~10



3 2P+E	4 3P+E	5 3P+N+E	110 V 50-60 Hz			230 V 50-60 Hz			400 V 50-60 Hz			500 V 50-60 Hz			>50 -500 V 300-500 Hz			>50 -500 V 100-300 Hz		
			3P 4P 5P 4h 4h 4h	3P 4P 5P 6h 9h 9h	3P 4P 5P 9h 6h 6h	3P 4P 5P 7h 7h 7h	3P 4P 5P 10h 10h 10h	3P 4P 5P 2h 2h 2h												
IP 67 CEE / IEC 连接器, 带螺钉接线端子, 一体外壳结构 Plug, screw wiring terminal																				
选型代号 Code	16	3	539	540	541	545	546	547												
	16	4	542	543	544															
	16	5	548	549	550															
	32	3	551	552	553															
	32	4	554	555	556	557	558	559												
	32	5	560	561	562															

3 2P+E	4 3P+E	5 3P+N+E	110 V 50-60 Hz			230 V 50-60 Hz			400 V 50-60 Hz			500 V 50-60 Hz			>50 -500 V 300-500 Hz			>50 -500 V 100-300 Hz		
			3P 4P 5P 4h 4h 4h	3P 4P 5P 6h 9h 9h	3P 4P 5P 9h 6h 6h	3P 4P 5P 7h 7h 7h	3P 4P 5P 10h 10h 10h	3P 4P 5P 2h 2h 2h												
IP 44 CEE / IEC 连接器, 带螺钉接线端子, 一体外壳结构 Plug, screw wiring terminal																				
选型代号 Code	16	3	509	510	511	515	2441	2517												
	16	4	512	513	514		516	517												
	16	5	518	519	5	2026	2193	2495												
	32	3	521	522	523		2196	2674												
	32	4	524	525	526	527	528	529												
	32	5	530	531	6	2027	2245	2493												

电流(A) Current rating	16			32		
极数(P) Pole	3	4	5	3	4	5
A	76	83	90	99	99	106
B	157	157	163	196	196	200
C	72	80	88	98	98	102
线径范围 (mm ²) wire gauge	1.5~4	1.5~4	1.5~4	2.5~10	2.5~10	2.5~10



电流(A) Current rating	16			32		
极数(P) Pole	3	4	5	3	4	5
A	75	84	90	97	97	105
B	154	154	160	190	190	197
C	60	68	75	82	82	89
线径范围 (mm ²) wire gauge	1.5~4	1.5~4	1.5~4	2.5~10	2.5~10	2.5~10

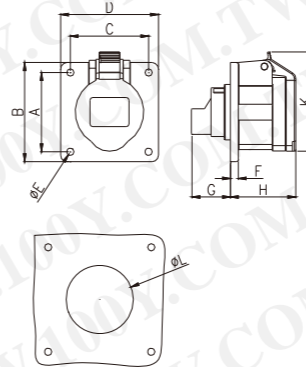
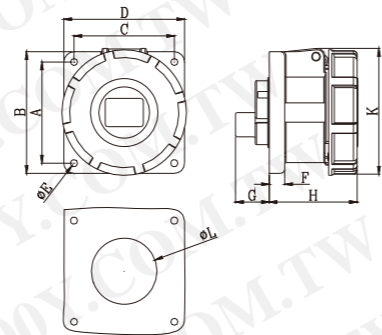
胜特力材料 886-3-5753170
胜特力电子(上海) 86-21-34970699
胜特力电子(深圳) 86-755-83298787
Http://www.100y.com.tw



3 2P+E	4 3P+E	5 3P+N+E	110 V 50-60 Hz			230 V 50-60 Hz			400 V 50-60 Hz			500 V 50-60 Hz			>50 -500 V 300-500 Hz			>50 -500 V 100-300 Hz		
			3P 4P 5P 4h 4h 4h	3P 4P 5P 6h 9h 9h	3P 4P 5P 9h 6h 6h	3P 4P 5P 7h 7h 7h	3P 4P 5P 10h 10h 10h	3P 4P 5P 2h 2h 2h	3P 4P 5P 4h 4h 4h	3P 4P 5P 6h 9h 9h	3P 4P 5P 9h 6h 6h	3P 4P 5P 7h 7h 7h	3P 4P 5P 10h 10h 10h	3P 4P 5P 2h 2h 2h						
IP 67 CEE / IEC 插头, 带螺钉接线端子, 一体外壳结构 Plug, screw wiring terminal																				
选型代号 Code	16	3	217	218	219	223	224	225												
	16	4	220	221	222															
	16	5	226	227	228															
	32	3	229	230	231															
	32	4	232	233	234	235	236	237												
	32	5	238	239	240															

3 2P+E	4 3P+E	5 3P+N+E	110 V 50-60 Hz			230 V 50-60 Hz			400 V 50-60 Hz			500 V 50-60 Hz			>50 -500 V 300-500 Hz			>50 -500 V 100-300 Hz		
			3P 4P 5P 4h 4h 4h	3P 4P 5P 6h 9h 9h	3P 4P 5P 9h 6h 6h	3P 4P 5P 7h 7h 7h	3P 4P 5P 10h 10h 10h	3P 4P 5P 2h 2h 2h	3P 4P 5P 4h 4h 4h	3P 4P 5P 6h 9h 9h	3P 4P 5P 9h 6h 6h	3P 4P 5P 7h 7h 7h	3P 4P 5P 10h 10h 10h	3P 4P 5P 2h 2h 2h						
IP 44 法兰尺寸75 x 75 毫米(16A)、85x75毫米(32A), 直插式, 附加插座 French size 75x75mm(16A),85x75mm(32A),straight connect with socket																				
选型代号 Code	16	3	1365	1366	1367	1391	3054	3055												
	16	4	1388	1389	1390	1391	1392	1393												
	16	5	1384	1386	1385	3057	3059	3060												
	32	3	1394	1395	1396															
	32	4	1397	1398	1399	1400	1401	1402												
	32	5	3449	3454	3451	3452	3455	3447												

电流(A) Current rating	16			32		
极数(P) Pole	3	4	5	3	4	5
A	60	60	60	80	80	90
B	75	75	75	95	95	110
C	60	60	60	80	80	90
D	75	75	75	95	95	110
E	5.5	5.5	5.5	5.5	5.5	5.5
F	9	9	9	12	12	12
G	27	27	27	26.5	26.5	26.5
H	56.3	56.3	56.3	69.3	69.3	69.3
K	72	80	88	98	98	105
L	42	50	53	55	55	60
线径范围 (mm ²)	1.5~4	1.5~4	1.5~4	2.5~10	2.5~10	2.5~10



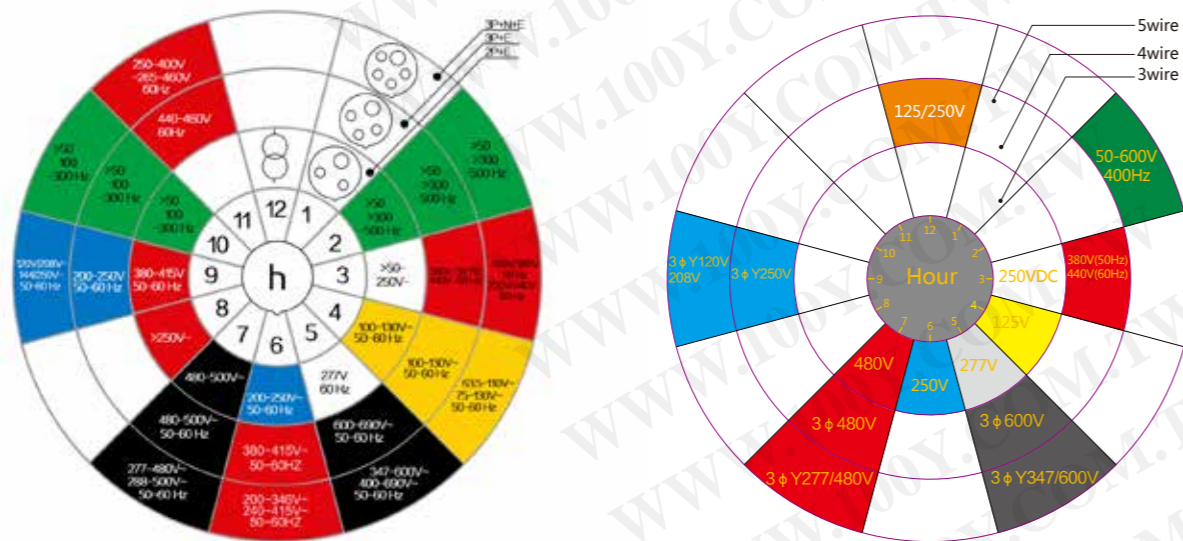
电流(A) Current rating	16			32		
极数(P) Pole	3	4	5	3	4	5
A	60	60	60	80	80	90
B	75	75	75	95	95	110
C	60	60	60	80	80	90
D	75	75	75	95	95	110
E	5.5	5.5	5.5	5.5	5.5	5.5
F	6	6	6	9	9	9
G	30	30	30	29	29	29
H	50	50	50	61	61	61
K	76	85	93	96	96	105
L	42	50	53	55	55	60
线径范围 (mm ²) wire gauge	1.5~4	1.5~4	1.5~4	2.5~10	2.5~10	2.5~10

胜特力材料 886-3-5753170
胜特力电子(上海) 86-21-34970699
胜特力电子(深圳) 86-755-83298787
Http://www.100y.com.tw

连接方式 CONNECTION SCHEMES IP67/IP44



时钟对应适应图 IEC 60309 CLOCK



International Rating
Voltage AC (Except where noted)

North American Rating
Voltage AC (Except where noted)



电源 Power

信号 signal

数据 data

紧固件 lock



Verification of Conformity

About the Low Voltage Directive 2014/35/EU

Verification No.: UK220809151

This inspected products have been tested by us with the listed standards and found in compliance with the European Low Voltage Directives 2014/35/EU .

The statement is based on a single evaluation of one sample of below mentioned products.

The CE mark below can be used under the responsibility of manufacturer after completion of an EC declaration of conformity and compliance with all relevant EC directives.

Applicant : SHENZHEN LINKO ELECTRIC CO., LTD.
1/2/3/4, 101 Building H, Hejing Industrial Park, Hi - tech Park
Zhancheng Community, Fuhai Street, Baoan District, Shenzhen

Manufacturer: SHENZHEN LINKO ELECTRIC CO., LTD.
1/2/3/4, 101 Building H, Hejing Industrial Park, Hi - tech Park
Zhancheng Community, Fuhai Street, Baoan District, Shenzhen

Product : Connector

Model No.: LP series, BD series , YM series, DH series, DZ series

Trademark: /

Standards applied: EN 61984:2009

Report No.: UK220809151

Date of Issue : 2022-10-14

Signature:

Eric Zhang [Section Manager]

