

STRAIN RELIEF CLAMP



勝特力電材超市-龍山店 886-3-5773766
勝特力電材超市-光復店 886-3-5729570
勝特力電子(上海) 86-21-34970699
勝特力電子(深圳) 86-755-83298787
<http://www.100y.com.tw>

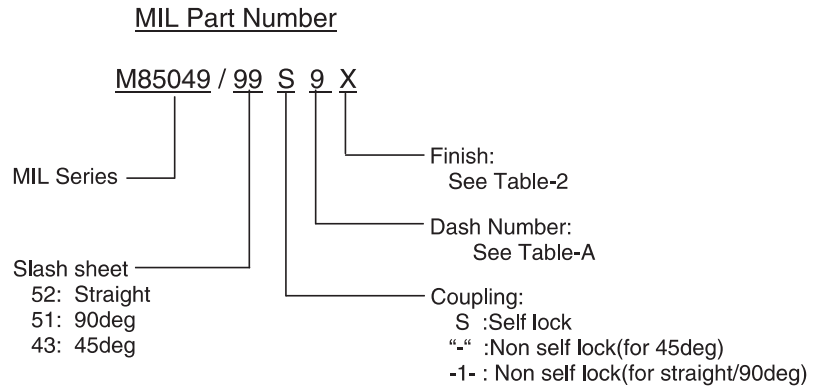
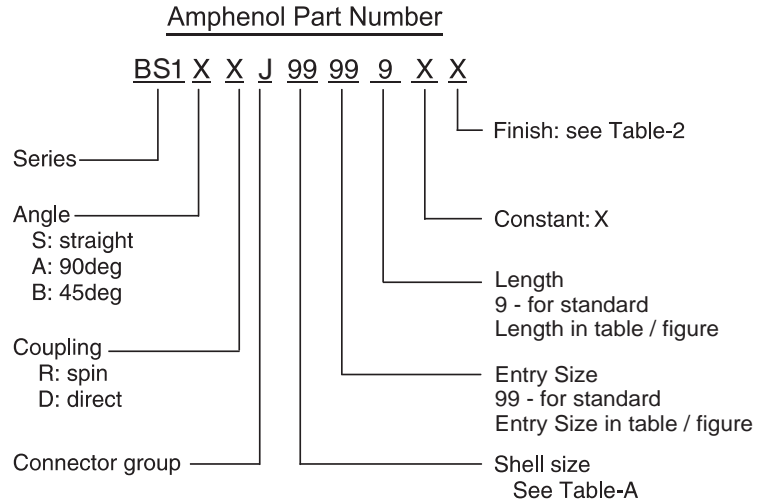
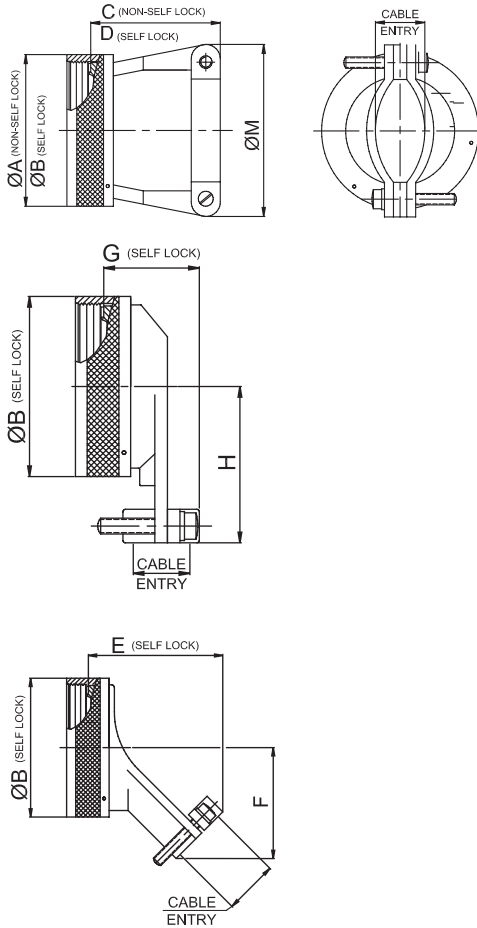
Amphenol Strain Reliefs not only tidy-up the cable after termination but provide good strain relief at the termination area. It is a cost effective cable holding option when environmental protection is not a concern, and weight saving is a major consideration

| For Connector Group | | Page No. |
|---------------------|---|--------------|
| J | → | XI-1 - XI-2 |
| K | → | XI-3 - XI-4 |
| L | → | XI-5 - XI-6 |
| M | → | XI-7 - XI-8 |
| N | → | XI-9 - XI-10 |

Note: For Connector group Identification refer Table 1 - A, B, C, D (Page 7-11) and for Material / Plating Finish, Refer Table-2 (Page 12)

Connector Group - J

Straight, 90°, 45°



NOTE: * For more cable entry and length options, contact factory

TABLE - A

| AMPHENOL PART NUMBER DESIGNATOR | MIL PART NUMBER DESIGNATOR | CONNECTOR SHELL SIZE | A DIA.(MAX) | | B DIA.(MAX) | | C (MAX) | | D (MAX) | | E (MAX) | | F (MAX) | |
|---------------------------------|----------------------------|----------------------|--------------|-------|--------------|-------|---------|-------|---------|-------|---------|-------|---------|-------|
| | | | INCH | MM | INCH | MM | INCH | MM | INCH | MM | INCH | MM | INCH | MM |
| 08 | 08 | 8 | 0.62 | 15.67 | 0.89 | 22.48 | 0.63 | 16.00 | 0.73 | 18.54 | 1.32 | 33.53 | 0.77 | 19.61 |
| 10 | 10 | 10 | 0.73 | 18.64 | 1.01 | 25.65 | 0.74 | 18.80 | 0.85 | 21.59 | 1.36 | 34.65 | 0.80 | 20.40 |
| 12 | 12 | 7/12 | 0.86 | 21.79 | 1.14 | 28.83 | 0.86 | 21.84 | 0.98 | 24.89 | 1.44 | 36.53 | 0.87 | 22.00 |
| 14 | 14 | 12/14 | 0.98 | 24.99 | 1.26 | 32.00 | 0.86 | 21.84 | 0.98 | 24.89 | 1.48 | 37.59 | 0.93 | 23.57 |
| 16 | 16 | 19/16 | 1.11 | 28.24 | 1.39 | 35.18 | 0.99 | 25.15 | 1.10 | 27.94 | 1.59 | 40.28 | 0.99 | 25.17 |
| 18 | 18 | 27/18 | 1.22 | 30.94 | 1.51 | 38.35 | 1.24 | 31.50 | 1.35 | 34.29 | 1.70 | 43.28 | 1.11 | 28.19 |
| 20 | 20 | 37/20 | 1.35 | 34.16 | 1.64 | 41.53 | 1.36 | 34.54 | 1.48 | 37.59 | 1.75 | 44.40 | 1.17 | 29.77 |
| 22 | 22 | 22 | 1.47 | 37.29 | 1.76 | 44.70 | 1.49 | 37.85 | 1.60 | 40.64 | 1.79 | 45.52 | 1.24 | 31.37 |
| 24 | 24 | 24 | 1.59 | 40.46 | 1.89 | 47.88 | 1.61 | 40.89 | 1.73 | 43.94 | 1.84 | 46.63 | 1.30 | 32.94 |
| 28 | 28 | 28 | 1.97 | 50.01 | 2.14 | 54.23 | 1.76 | 44.70 | 1.88 | 47.75 | 1.96 | 49.81 | 1.54 | 39.19 |
| 32 | 32 | 32 | 2.22 | 56.36 | 2.40 | 60.83 | 1.95 | 49.53 | 2.13 | 54.10 | 2.05 | 52.04 | 1.67 | 42.37 |
| 36 | 36 | 36 | 2.47 | 62.71 | 2.64 | 66.93 | 2.33 | 59.18 | 2.44 | 61.98 | 2.09 | 53.16 | 1.79 | 45.54 |
| 40 | 40 | 40 | 2.72 | 69.06 | 2.89 | 73.28 | 2.51 | 63.75 | 2.63 | 66.80 | 2.09 | 53.19 | 1.92 | 48.72 |
| 44 | 44 | 44 | 2.97 | 75.41 | 3.14 | 79.63 | 2.89 | 73.41 | 3.00 | 76.20 | 2.36 | 59.94 | 2.13 | 54.15 |
| 48 | 48 | 48 | 3.22 | 81.76 | 3.39 | 85.98 | 3.26 | 82.80 | 3.40 | 86.36 | 2.45 | 62.18 | 2.26 | 57.33 |

Table Continued

Connector Group - J

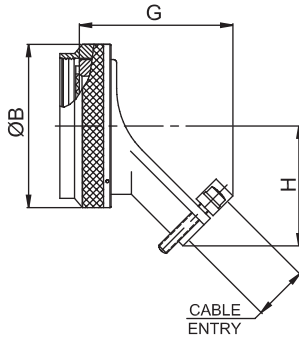
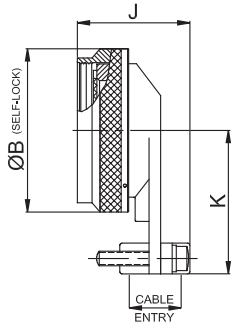
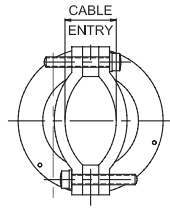
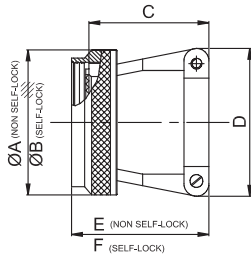
Straight, 90°, 45°

TABLE - A

| AMPHENOL PART NUMBER DESIGNATOR | MIL PART NUMBER DESIGNATOR | CONNECTOR SHELL SIZE SIZE | G (MAX) | | H (MAX) | | M (MAX) | | CABLE ENTRY | | | |
|---------------------------------------|----------------------------------|---------------------------------|---------|-------|---------|-------|---------|-------|-------------|-------|------|-------|
| | | | | | | | | | MAX | | MIN | |
| | | | INCH | MM | INCH | MM | INCH | MM | INCH | MM | INCH | MM |
| 08 | 08 | 8 | 0.93 | 23.62 | 0.75 | 18.95 | 0.78 | 19.86 | 0.20 | 5.18 | 0.13 | 3.18 |
| 10 | 10 | 10 | 1.02 | 25.91 | 0.81 | 20.45 | 0.86 | 21.89 | 0.29 | 7.26 | 0.19 | 4.75 |
| 12 | 12 | 7/12 | 1.21 | 30.73 | 0.87 | 22.02 | 1.00 | 25.48 | 0.42 | 10.57 | 0.29 | 7.39 |
| 14 | 14 | 12/14 | 1.27 | 32.26 | 0.93 | 23.62 | 1.06 | 26.95 | 0.48 | 12.09 | 0.35 | 8.92 |
| 16 | 16 | 19/16 | 1.42 | 36.07 | 0.99 | 25.25 | 1.33 | 33.88 | 0.63 | 15.90 | 0.50 | 12.73 |
| 18 | 18 | 27/18 | 1.53 | 38.86 | 1.17 | 29.74 | 1.47 | 37.24 | 0.71 | 17.93 | 0.52 | 13.16 |
| 20 | 20 | 37/20 | 1.65 | 41.91 | 1.23 | 31.34 | 1.57 | 39.93 | 0.83 | 21.11 | 0.58 | 14.76 |
| 22 | 22 | 22 | 1.78 | 45.21 | 1.30 | 32.92 | 1.69 | 42.88 | 0.96 | 24.28 | 0.64 | 16.36 |
| 24 | 24 | 24 | 1.90 | 48.26 | 1.36 | 34.49 | 1.79 | 45.47 | 1.08 | 27.46 | 0.71 | 17.93 |
| 28 | 28 | 28 | 2.20 | 55.88 | 1.57 | 39.93 | 2.04 | 51.69 | 1.19 | 30.15 | 0.75 | 19.05 |
| 32 | 32 | 32 | 2.27 | 57.66 | 1.80 | 45.64 | 2.39 | 60.60 | 1.25 | 31.75 | 0.88 | 22.23 |
| 36 | 36 | 36 | 2.39 | 60.71 | 1.92 | 48.82 | 2.50 | 63.40 | 1.38 | 34.93 | 0.94 | 23.83 |
| 40 | 40 | 40 | 2.52 | 64.01 | 2.05 | 51.99 | 2.57 | 65.18 | 1.50 | 38.10 | 0.94 | 23.83 |
| 44 | 44 | 44 | 2.77 | 70.36 | 2.30 | 58.32 | 2.86 | 72.64 | 1.75 | 44.45 | 1.19 | 30.18 |
| 48 | 48 | 48 | 2.89 | 73.41 | 2.42 | 61.49 | 3.34 | 84.94 | 1.88 | 47.63 | 1.31 | 33.32 |

Connector Group - K

Straight, 90°, 45°



Amphenol Part Number

BS1 X X K 99 99 9 X X

Series ——— BS1
 Angle ——— X X
 S: straight
 A: 90deg
 B: 45deg
 Coupling ——— K
 R: spin
 D: direct
 Connector group ——— 99 99
 9
 X X
 Finish: see Table-2
 Constant: X
 Length
 9 - for standard
 Length in table / figure
 Entry Size
 99 - for standard
 Entry Size in table / figure
 Shell size
 See Table-A

MIL Part Number

M85049 / 99 S 9 X

MIL Series ——— M85049 / 99
 Slash sheet ——— S
 49-2: Straight
 47 : 90deg
 Finish: See Table-2
 Dash Number: See Table-A
 Coupling:
 S :Self lock
 “-“ :Non self lock

NOTE: * For more cable entry and length options, contact factory

TABLE - A

| AMPHENOL PART NUMBER DESIGNATOR | MIL PART NUMBER DESIGNATOR | CONNECTOR SHELL SIZE SIZE | A DIA.(MAX) | | B DIA.(MAX) | | C (MAX) | | D (MAX) | | E (MAX) | | F (MAX) | |
|---------------------------------|----------------------------|---------------------------|--------------|-------|--------------|-------|---------|-------|---------|-------|---------|-------|---------|-------|
| | | | INCH | MM | INCH | MM | INCH | MM | INCH | MM | INCH | MM | INCH | MM |
| 08 | 08 | 8 | 0.62 | 15.67 | 0.89 | 22.48 | 0.63 | 16.00 | 0.73 | 18.54 | 1.32 | 33.53 | 0.77 | 19.61 |
| 10 | 10 | 10 | 0.73 | 18.64 | 1.01 | 25.65 | 0.74 | 18.80 | 0.85 | 21.59 | 1.36 | 34.65 | 0.80 | 20.40 |
| 12 | 12 | 7/12 | 0.86 | 21.79 | 1.14 | 28.83 | 0.86 | 21.84 | 0.98 | 24.89 | 1.44 | 36.53 | 0.87 | 22.00 |
| 14 | 14 | 12/14 | 0.98 | 24.99 | 1.26 | 32.00 | 0.86 | 21.84 | 0.98 | 24.89 | 1.48 | 37.59 | 0.93 | 23.57 |
| 16 | 16 | 19/16 | 1.11 | 28.24 | 1.39 | 35.18 | 0.99 | 25.15 | 1.10 | 27.94 | 1.59 | 40.28 | 0.99 | 25.17 |
| 18 | 18 | 27/18 | 1.22 | 30.94 | 1.51 | 38.35 | 1.24 | 31.50 | 1.35 | 34.29 | 1.70 | 43.28 | 1.11 | 28.19 |
| 20 | 20 | 37/20 | 1.35 | 34.16 | 1.64 | 41.53 | 1.36 | 34.54 | 1.48 | 37.59 | 1.75 | 44.40 | 1.17 | 29.77 |
| 22 | 22 | 22 | 1.47 | 37.29 | 1.76 | 44.70 | 1.49 | 37.85 | 1.60 | 40.64 | 1.79 | 45.52 | 1.24 | 31.37 |
| 24 | 24 | 24 | 1.59 | 40.46 | 1.89 | 47.88 | 1.61 | 40.89 | 1.73 | 43.94 | 1.84 | 46.63 | 1.30 | 32.94 |
| 28 | 28 | 28 | 1.97 | 50.01 | 2.14 | 54.23 | 1.76 | 44.70 | 1.88 | 47.75 | 1.96 | 49.81 | 1.54 | 39.19 |
| 32 | 32 | 32 | 2.22 | 56.36 | 2.40 | 60.83 | 1.95 | 49.53 | 2.13 | 54.10 | 2.05 | 52.04 | 1.67 | 42.37 |
| 36 | 36 | 36 | 2.47 | 62.71 | 2.64 | 66.93 | 2.33 | 59.18 | 2.44 | 61.98 | 2.09 | 53.16 | 1.79 | 45.54 |
| 40 | 40 | 40 | 2.72 | 69.06 | 2.89 | 73.28 | 2.51 | 63.75 | 2.63 | 66.80 | 2.09 | 53.19 | 1.92 | 48.72 |
| 44 | 44 | 44 | 2.97 | 75.41 | 3.14 | 79.63 | 2.89 | 73.41 | 3.00 | 76.20 | 2.36 | 59.94 | 2.13 | 54.15 |
| 48 | 48 | 48 | 3.22 | 81.76 | 3.39 | 85.98 | 3.26 | 82.80 | 3.40 | 86.36 | 2.45 | 62.18 | 2.26 | 57.33 |

Table Continued

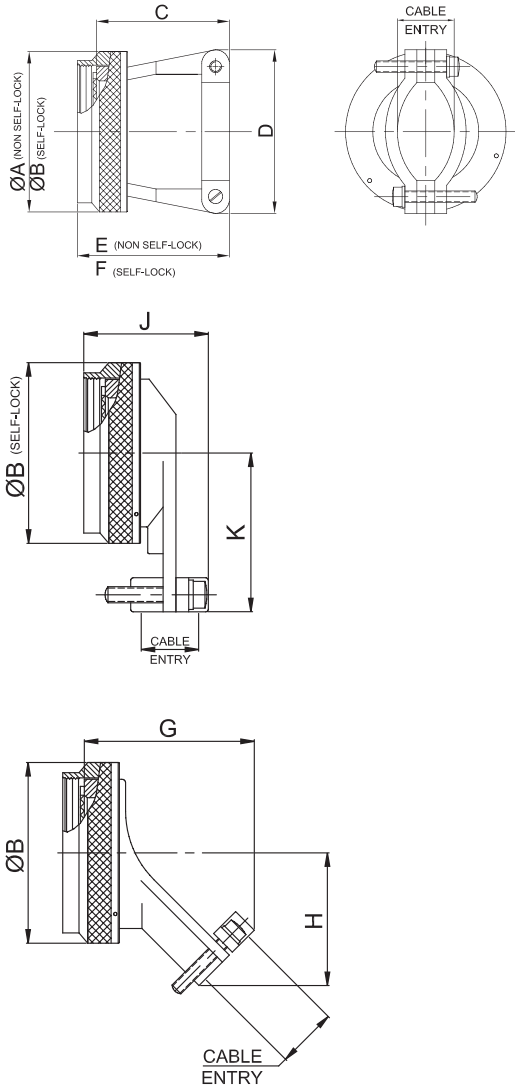
Connector Group - K

Straight, 90°, 45°

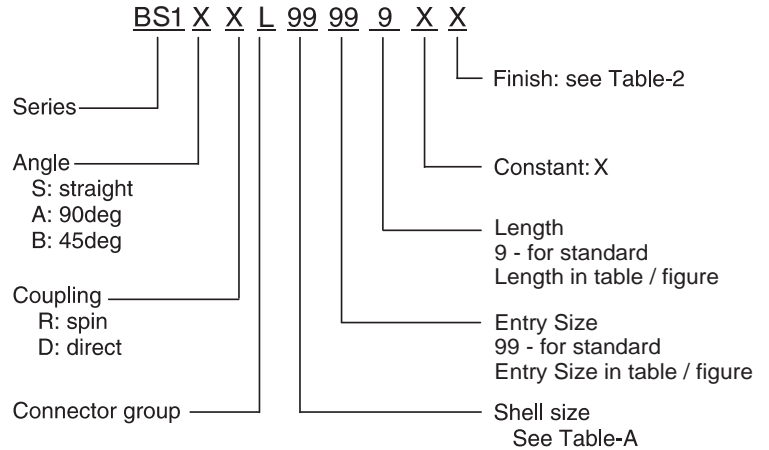
| TABLE - A | | | | | | | | | | | | |
|---------------------------------------|----------------------------------|---------------------------------|------------|---------|---------|-------|---------|-------|-------------|-------|------|-------|
| AMPHENOL PART NUMBER DESIGNATOR | MIL PART NUMBER DESIGNATOR | CONNECTOR SHELL SIZE SIZE | G (MAX) | | H (MAX) | | M (MAX) | | CABLE ENTRY | | | |
| | | | SHELL SIZE | DASH NO | INCH | MM | INCH | MM | INCH | MM | MAX | |
| INCH | MM | INCH | | | | | | | | | MM | INCH |
| 08 | 08 | 8 | 0.93 | 23.62 | 0.75 | 18.95 | 0.78 | 19.86 | 0.20 | 5.18 | 0.13 | 3.18 |
| 10 | 10 | 10 | 1.02 | 25.91 | 0.81 | 20.45 | 0.86 | 21.89 | 0.29 | 7.26 | 0.19 | 4.75 |
| 12 | 12 | 7/12 | 1.21 | 30.73 | 0.87 | 22.02 | 1.00 | 25.48 | 0.42 | 10.57 | 0.29 | 7.39 |
| 14 | 14 | 12/14 | 1.27 | 32.26 | 0.93 | 23.62 | 1.06 | 26.95 | 0.48 | 12.09 | 0.35 | 8.92 |
| 16 | 16 | 19/16 | 1.42 | 36.07 | 0.99 | 25.25 | 1.33 | 33.88 | 0.63 | 15.90 | 0.50 | 12.73 |
| 18 | 18 | 27/18 | 1.53 | 38.86 | 1.17 | 29.74 | 1.47 | 37.24 | 0.71 | 17.93 | 0.52 | 13.16 |
| 20 | 20 | 37/20 | 1.65 | 41.91 | 1.23 | 31.34 | 1.57 | 39.93 | 0.83 | 21.11 | 0.58 | 14.76 |
| 22 | 22 | 22 | 1.78 | 45.21 | 1.30 | 32.92 | 1.69 | 42.88 | 0.96 | 24.28 | 0.64 | 16.36 |
| 24 | 24 | 24 | 1.90 | 48.26 | 1.36 | 34.49 | 1.79 | 45.47 | 1.08 | 27.46 | 0.71 | 17.93 |
| 28 | 28 | 28 | 2.20 | 55.88 | 1.57 | 39.93 | 2.04 | 51.69 | 1.19 | 30.15 | 0.75 | 19.05 |
| 32 | 32 | 32 | 2.27 | 57.66 | 1.80 | 45.64 | 2.39 | 60.60 | 1.25 | 31.75 | 0.88 | 22.23 |
| 36 | 36 | 36 | 2.39 | 60.71 | 1.92 | 48.82 | 2.50 | 63.40 | 1.38 | 34.93 | 0.94 | 23.83 |
| 40 | 40 | 40 | 2.52 | 64.01 | 2.05 | 51.99 | 2.57 | 65.18 | 1.50 | 38.10 | 0.94 | 23.83 |
| 44 | 44 | 44 | 2.77 | 70.36 | 2.30 | 58.32 | 2.86 | 72.64 | 1.75 | 44.45 | 1.19 | 30.18 |
| 48 | 48 | 48 | 2.89 | 73.41 | 2.42 | 61.49 | 3.34 | 84.94 | 1.88 | 47.63 | 1.31 | 33.32 |

Connector Group - L

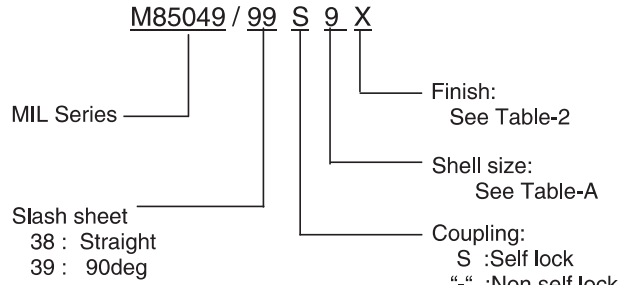
Straight, 90°, 45°



Amphenol Part Number



MIL Part Number



NOTE: * For more cable entry and length options, contact factory

| TABLE - A | | | | | | | | | | | | | | |
|---------------------------------|----------------------------|----------------------------------|--------------|-------|--------------|-------|---------|-------|---------|-------|---------|-------|---------|-------|
| AMPHENOL PART NUMBER DESIGNATOR | MIL PART NUMBER DESIGNATOR | CONNECTOR SHELL SIZE/CODE (REF.) | A DIA. (MAX) | | B DIA. (MAX) | | C (MAX) | | D (MAX) | | E (MAX) | | F (MAX) | |
| | | | INCH | MM | INCH | MM | INCH | MM | INCH | MM | INCH | MM | INCH | MM |
| 08 | 09 | 09 / A | 0.75 | 19.05 | 0.86 | 21.82 | 0.91 | 23.11 | 0.85 | 21.59 | 1.10 | 27.94 | 1.21 | 30.73 |
| 10 | 11 | 11 / B | 0.85 | 21.59 | 0.98 | 24.99 | 0.91 | 23.11 | 0.90 | 22.86 | 1.10 | 27.94 | 1.21 | 30.73 |
| 12 | 13 | 13 / C | 1.00 | 25.40 | 1.16 | 29.36 | 1.01 | 25.65 | 1.10 | 27.94 | 1.20 | 30.48 | 1.31 | 33.27 |
| 14 | 15 | 15 / D | 1.10 | 27.94 | 1.28 | 32.54 | 1.06 | 26.92 | 1.15 | 29.21 | 1.25 | 31.75 | 1.35 | 34.29 |
| 16 | 17 | 17 / E | 1.25 | 31.75 | 1.41 | 35.71 | 1.16 | 29.46 | 1.30 | 33.02 | 1.36 | 34.44 | 1.45 | 36.83 |
| 18 | 19 | 19 / F | 1.40 | 35.56 | 1.52 | 38.51 | 1.41 | 35.81 | 1.50 | 38.10 | 1.60 | 40.64 | 1.71 | 43.43 |
| 20 | 21 | 21 / G | 1.50 | 38.10 | 1.64 | 41.68 | 1.51 | 38.35 | 1.60 | 40.64 | 1.70 | 43.21 | 1.81 | 45.97 |
| 22 | 23 | 23 / H | 1.65 | 41.91 | 1.77 | 44.86 | 1.66 | 42.16 | 1.70 | 43.18 | 1.85 | 46.99 | 1.95 | 49.53 |
| 24 | 25 | 25 / J | 1.75 | 44.45 | 1.89 | 48.03 | 1.76 | 44.70 | 1.80 | 45.72 | 1.95 | 49.56 | 2.05 | 52.07 |

Table Continued

Connector Group - L

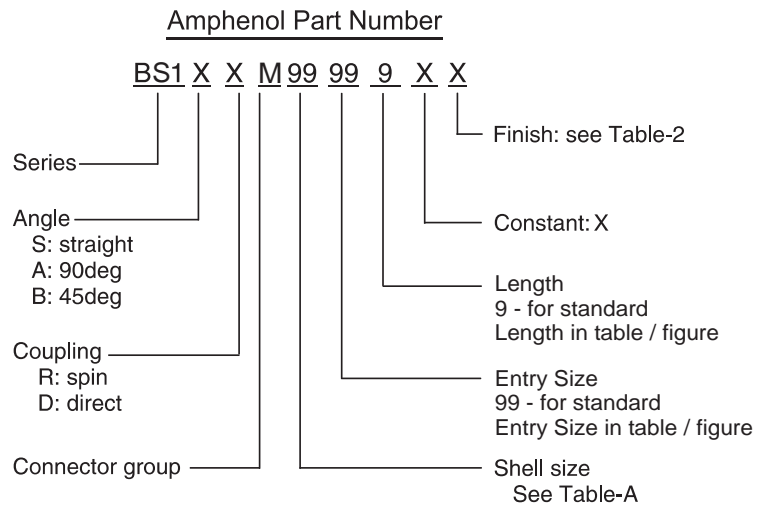
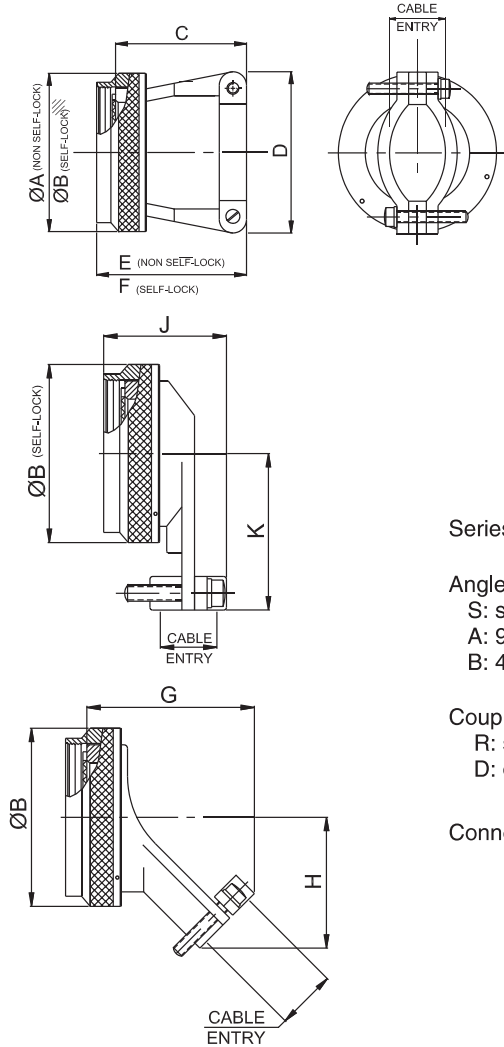
Straight, 90°, 45°

TABLE - A

| AMPHENOL PART NUMBER DESIGNATOR | MIL PART NUMBER DESIGNATOR | CONNECTOR SHELL SIZE/CODE (REF.) | G (MAX) | | H (MAX) | | J (MAX) | | K (MAX) | | CABLE ENTRY | | | |
|--|----------------------------------|---|---------|-------|---------|-------|---------|-------|---------|-------|-------------|-------|------|-------|
| | | | INCH | MM | INCH | MM | INCH | MM | INCH | MM | MIN | | MAX | |
| | | | | | | | | | | | INCH | MM | INCH | MM |
| 08 | 09 | 09 / A | 1.32 | 33.53 | 0.77 | 19.61 | 1.31 | 33.27 | 1.00 | 25.40 | 0.10 | 2.49 | 0.23 | 5.94 |
| 10 | 11 | 11 / B | 1.36 | 34.65 | 0.80 | 20.40 | 1.31 | 33.27 | 1.10 | 27.94 | 0.15 | 3.89 | 0.23 | 5.94 |
| 12 | 13 | 13 / C | 1.44 | 36.53 | 0.87 | 22.00 | 1.51 | 38.35 | 1.10 | 27.94 | 0.19 | 4.83 | 0.33 | 8.33 |
| 14 | 15 | 15 / D | 1.48 | 37.59 | 0.93 | 23.57 | 1.55 | 39.37 | 1.25 | 31.75 | 0.26 | 6.60 | 0.46 | 11.61 |
| 16 | 17 | 17 / E | 1.59 | 40.28 | 0.99 | 25.17 | 1.71 | 43.43 | 1.30 | 33.02 | 0.28 | 7.19 | 0.61 | 15.60 |
| 18 | 19 | 19 / F | 1.70 | 43.28 | 1.11 | 28.19 | 1.81 | 45.97 | 1.35 | 34.29 | 0.33 | 8.26 | 0.63 | 16.10 |
| 20 | 21 | 21 / G | 1.75 | 44.40 | 1.17 | 29.77 | 1.95 | 49.53 | 1.60 | 40.64 | 0.34 | 8.71 | 0.70 | 17.73 |
| 22 | 23 | 23 / H | 1.79 | 45.52 | 1.24 | 31.37 | 2.10 | 53.34 | 1.75 | 44.45 | 0.38 | 9.68 | 0.82 | 20.90 |
| 24 | 25 | 25 / J | 1.84 | 46.63 | 1.30 | 32.94 | 2.21 | 56.13 | 1.85 | 46.99 | 0.42 | 10.62 | 0.85 | 21.67 |

Connector Group - M

Straight, 90°, 45°



NOTE: * For more cable entry and length options, contact factory

| TABLE - A | | | | | | | | | | | | | |
|---------------------------------|----------------------|--------------|-------|--------------|-------|---------|-------|---------|-------|---------|-------|---------|-------|
| AMPHENOL PART NUMBER DESIGNATOR | CONNECTOR SHELL SIZE | A DIA. (MAX) | | B DIA. (MAX) | | C (MAX) | | D (MAX) | | E (MAX) | | F (MAX) | |
| | | INCH | MM | INCH | MM | INCH | MM | INCH | MM | INCH | MM | INCH | MM |
| 08 | 8 | 0.75 | 19.05 | 0.86 | 21.82 | 0.91 | 23.11 | 0.85 | 21.59 | 1.10 | 27.94 | 1.15 | 29.21 |
| 10 | 10 | 0.85 | 21.59 | 0.98 | 24.99 | 0.91 | 23.11 | 0.90 | 22.86 | 1.10 | 27.94 | 1.15 | 29.21 |
| 12 | 12 | 1.00 | 25.40 | 1.16 | 29.36 | 1.01 | 25.65 | 1.10 | 27.94 | 1.20 | 30.48 | 1.25 | 31.75 |
| 14 | 14 | 1.10 | 27.94 | 1.28 | 32.54 | 1.06 | 26.92 | 1.15 | 29.21 | 1.25 | 31.75 | 1.30 | 33.02 |
| 16 | 16 | 1.25 | 31.75 | 1.41 | 35.71 | 1.16 | 29.46 | 1.30 | 33.02 | 1.36 | 34.44 | 1.40 | 35.56 |
| 18 | 18 | 1.40 | 35.56 | 1.52 | 38.51 | 1.41 | 35.81 | 1.50 | 38.10 | 1.60 | 40.64 | 1.65 | 41.91 |
| 20 | 20 | 1.50 | 38.10 | 1.64 | 41.68 | 1.51 | 38.35 | 1.60 | 40.64 | 1.70 | 43.21 | 1.75 | 44.45 |
| 22 | 22 | 1.65 | 41.91 | 1.77 | 44.86 | 1.66 | 42.16 | 1.70 | 43.18 | 1.85 | 46.99 | 1.90 | 48.26 |
| 24 | 24 | 1.75 | 44.45 | 1.89 | 48.03 | 1.76 | 44.70 | 1.80 | 45.72 | 1.95 | 49.56 | 2.00 | 50.80 |

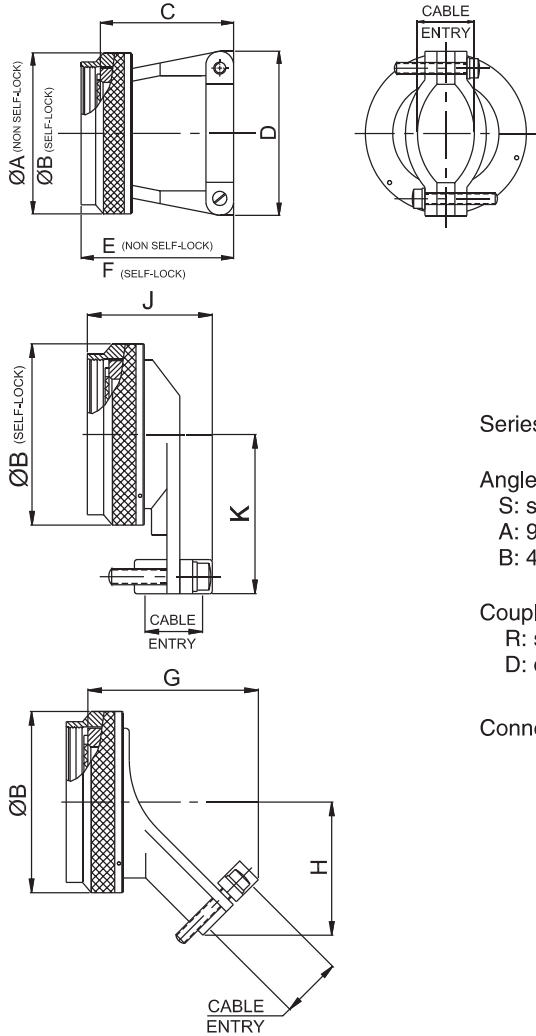
Table Continued

TABLE - A

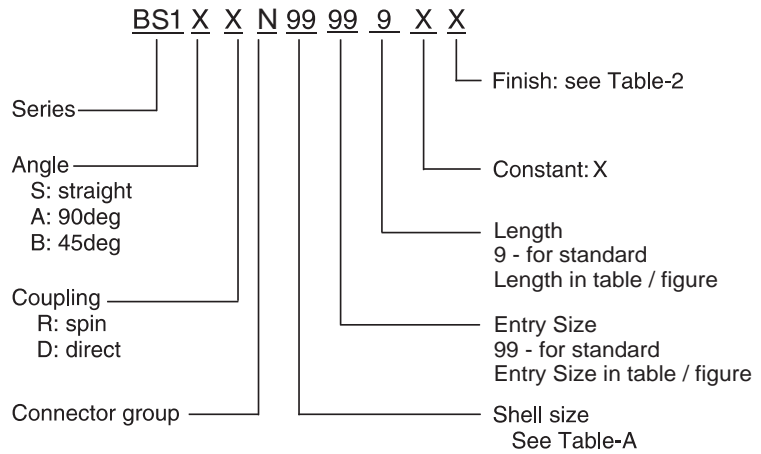
| AMPHENOL PART NUMBER DESIGNATOR | CONNECTOR SHELL SIZE | G (MAX) | | H (MAX) | | J (MAX) | | K (MAX) | | CABLE ENTRY | | | |
|--|-------------------------|---------|-------|---------|-------|---------|-------|---------|-------|-------------|-------|------|-------|
| | | NCH | MM | INCH | MM | INCH | MM | INCH | MM | MIN | | MAX | |
| | | | | | | | | | | INCH | MM | INCH | MM |
| 08 | 8 | 1.32 | 33.53 | 0.77 | 19.61 | 1.38 | 35.05 | 1.00 | 25.40 | 0.10 | 2.49 | 0.23 | 5.94 |
| 10 | 10 | 1.36 | 34.65 | 0.80 | 20.40 | 1.38 | 35.05 | 1.10 | 27.94 | 0.15 | 3.89 | 0.23 | 5.94 |
| 12 | 12 | 1.44 | 36.53 | 0.87 | 22.00 | 1.46 | 37.08 | 1.10 | 27.94 | 0.19 | 4.83 | 0.33 | 8.33 |
| 14 | 14 | 1.48 | 37.59 | 0.93 | 23.57 | 1.63 | 41.40 | 1.25 | 31.75 | 0.26 | 6.60 | 0.46 | 11.61 |
| 16 | 16 | 1.59 | 40.28 | 0.99 | 25.17 | 1.80 | 45.72 | 1.30 | 33.02 | 0.28 | 7.19 | 0.61 | 15.60 |
| 18 | 18 | 1.70 | 43.28 | 1.11 | 28.19 | 1.82 | 46.23 | 1.35 | 34.29 | 0.33 | 8.26 | 0.63 | 16.10 |
| 20 | 20 | 1.75 | 44.40 | 1.17 | 29.77 | 1.90 | 48.26 | 1.60 | 40.64 | 0.34 | 8.71 | 0.70 | 17.73 |
| 22 | 22 | 1.79 | 45.52 | 1.24 | 31.37 | 2.04 | 51.82 | 1.75 | 44.45 | 0.38 | 9.68 | 0.82 | 20.90 |
| 24 | 24 | 1.84 | 46.63 | 1.30 | 32.94 | 2.15 | 54.61 | 1.85 | 46.99 | 0.42 | 10.62 | 0.85 | 21.67 |

Connector Group - N

Straight, 90°, 45°



Amphenol Part Number



NOTE: * For more cable entry and length options, contact factory

| TABLE - A | | | | | | | | | | | | | | | |
|---------------------------------|----------------------|--------------|-------|--------------|-------|---------|-------|---------|-------|---------|-------|---------|-------|---------|-------|
| AMPHENOL PART NUMBER DESIGNATOR | CONNECTOR SHELL SIZE | A DIA. (MAX) | | B DIA. (MAX) | | C (MAX) | | D (MAX) | | E (MAX) | | F (MAX) | | G (MAX) | |
| | | INCH | MM | INCH | MM | INCH | MM | INCH | MM | INCH | MM | INCH | MM | INCH | MM |
| 08 | 8 | 0.75 | 19.05 | 0.86 | 21.82 | 0.91 | 23.11 | 0.85 | 21.59 | 1.10 | 27.94 | 1.15 | 29.21 | 1.32 | 33.53 |
| 10 | 10 | 0.85 | 21.59 | 0.98 | 24.99 | 0.91 | 23.11 | 0.90 | 22.86 | 1.10 | 27.94 | 1.15 | 29.21 | 1.36 | 34.65 |
| 12 | 12 | 1.00 | 25.40 | 1.16 | 29.36 | 1.01 | 25.65 | 1.10 | 27.94 | 1.20 | 30.48 | 1.25 | 31.75 | 1.44 | 36.53 |
| 14 | 14 | 1.10 | 27.94 | 1.28 | 32.54 | 1.06 | 26.92 | 1.15 | 29.21 | 1.25 | 31.75 | 1.30 | 33.02 | 1.48 | 37.59 |
| 16 | 16 | 1.25 | 31.75 | 1.41 | 35.71 | 1.16 | 29.46 | 1.30 | 33.02 | 1.36 | 34.44 | 1.40 | 35.56 | 1.59 | 40.28 |
| 18 | 18 | 1.40 | 35.56 | 1.52 | 38.51 | 1.41 | 35.81 | 1.50 | 38.10 | 1.60 | 40.64 | 1.65 | 41.91 | 1.70 | 43.28 |
| 20 | 20 | 1.50 | 38.10 | 1.64 | 41.68 | 1.51 | 38.35 | 1.60 | 40.64 | 1.70 | 43.21 | 1.75 | 44.45 | 1.75 | 44.40 |
| 22 | 22 | 1.65 | 41.91 | 1.77 | 44.86 | 1.66 | 42.16 | 1.70 | 43.18 | 1.85 | 46.99 | 1.90 | 48.26 | 1.79 | 45.52 |
| 24 | 24 | 1.75 | 44.45 | 1.89 | 48.03 | 1.76 | 44.70 | 1.80 | 45.72 | 1.95 | 49.56 | 2.00 | 50.80 | 1.84 | 46.63 |

Table Continued

Connector Group - N

Straight, 90°, 45°

| TABLE - A | | | | | | | | | | | |
|--|-------------------------|------------|-------|---------|-------|---------|-------|-------------|-------|------|-------|
| AMPHENOL PART NUMBER DESIGNATOR | CONNECTOR SHELL SIZE | H (MAX) | | J (MAX) | | K (MAX) | | CABLE ENTRY | | | |
| | | SHELL SIZE | INCH | MM | INCH | MM | INCH | MM | MIN | | MAX |
| INCH | MM | | | | | | | | INCH | MM | INCH |
| 08 | 8 | 0.77 | 19.61 | 1.38 | 35.05 | 1.00 | 25.40 | 0.10 | 2.49 | 0.23 | 5.94 |
| 10 | 10 | 0.80 | 20.40 | 1.38 | 35.05 | 1.10 | 27.94 | 0.15 | 3.89 | 0.23 | 5.94 |
| 12 | 12 | 0.87 | 22.00 | 1.46 | 37.08 | 1.10 | 27.94 | 0.19 | 4.83 | 0.33 | 8.33 |
| 14 | 14 | 0.93 | 23.57 | 1.63 | 41.40 | 1.25 | 31.75 | 0.26 | 6.60 | 0.46 | 11.61 |
| 16 | 16 | 0.99 | 25.17 | 1.80 | 45.72 | 1.30 | 33.02 | 0.28 | 7.19 | 0.61 | 15.60 |
| 18 | 18 | 1.11 | 28.19 | 1.82 | 46.23 | 1.35 | 34.29 | 0.33 | 8.26 | 0.63 | 16.10 |
| 20 | 20 | 1.17 | 29.77 | 1.90 | 48.26 | 1.60 | 40.64 | 0.34 | 8.71 | 0.70 | 17.73 |
| 22 | 22 | 1.24 | 31.37 | 2.04 | 51.82 | 1.75 | 44.45 | 0.38 | 9.68 | 0.82 | 20.90 |
| 24 | 24 | 1.30 | 32.94 | 2.15 | 54.61 | 1.85 | 46.99 | 0.42 | 10.62 | 0.85 | 21.67 |

Mouser Electronics

Authorized Distributor

Click to View Pricing, Inventory, Delivery & Lifecycle Information:

Amphenol:

[M85049/39-23W](#) [M85049/39S25W](#) [M85049/39S9N](#) [M85049/39S11W](#) [M85049/38-21A](#) [M85049/38S9W](#)
[M85049/38S21A](#) [M85049/39S19A](#) [M85049/39-23N](#) [M85049/38S17W](#) [M85049/38-25W](#) [M85049/39-15A](#)
[M85049/38S13A](#) [M85049/39S13N](#) [M85049/39S9A](#) [M85049/39-25N](#) [M85049/38-11W](#) [M85049/38-23N](#) [M85049/38-](#)
[15A](#) [M85049/39-17A](#) [M85049/38-9W](#) [M85049/39S25N](#) [M85049/38S17N](#) [M85049/39-19A](#) [M85049/39S21A](#)
[M85049/39-11W](#) [M85049/38S15A](#) [M85049/38S11N](#) [M85049/39S13W](#) [M85049/38S15N](#) [M85049/39-21N](#)
[M85049/38-11N](#) [M85049/38S9N](#) [M85049/39S17W](#) [M85049/39S19W](#) [M85049/38S21N](#) [M85049/38-17N](#) [M85049/39-](#)
[23A](#) [M85049/39-15W](#) [M85049/39S23A](#) [M85049/39-15N](#) [M85049/38-13N](#) [M85049/38-25N](#) [M85049/39S21W](#)
[M85049/39-11N](#) [M85049/38-9N](#) [M85049/38S19A](#) [M85049/39-21A](#) [M85049/38S9A](#) [M85049/38S15W](#) [M85049/38-](#)
[15N](#) [M85049/39S11N](#) [M85049/38-23A](#) [M85049/39S15W](#) [M85049/39-13W](#) [M85049/38-19W](#) [M85049/38-13W](#)
[M85049/39S25A](#) [M85049/39-9N](#) [M85049/38-13A](#) [M85049/39S11A](#) [M85049/38S25W](#) [M85049/38-9A](#)
[M85049/38S23N](#) [M85049/38-17W](#) [M85049/38S13W](#) [M85049/38S23W](#) [M85049/39S17N](#) [M85049/38S25A](#)
[M85049/38S23A](#) [M85049/38S17A](#) [M85049/39-21W](#) [M85049/39S23W](#) [M85049/39-9A](#) [M85049/38-21N](#)
[M85049/39S15N](#) [M85049/39S15A](#) [M85049/38S19N](#) [M85049/38S13N](#) [M85049/38-17A](#) [M85049/38S21W](#)
[M85049/39-19N](#) [M85049/39S19N](#) [M85049/39-13N](#) [M85049/39-25A](#) [M85049/38S19W](#) [M85049/39-13A](#)
[M85049/38S25N](#) [M85049/39-17N](#) [M85049/38-25A](#) [M85049/39S13A](#) [M85049/39-17W](#) [M85049/38-21W](#)
[M85049/38S11A](#) [M85049/39S17A](#) [M85049/39S9W](#) [M85049/39S23N](#) [M85049/38S11W](#) [M85049/39-25W](#)
[M85049/39-9W](#)