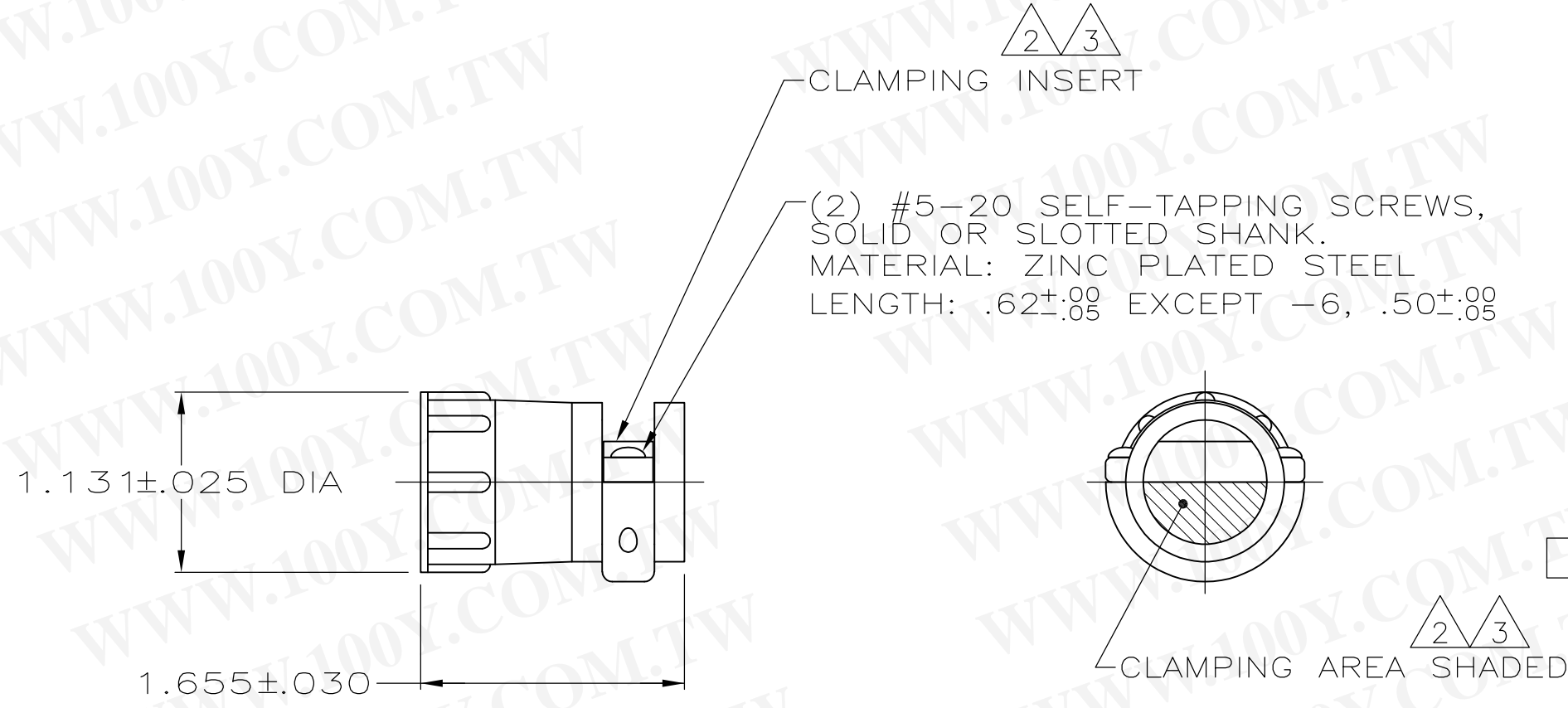


THIS DRAWING IS UNPUBLISHED. RELEASED FOR PUBLICATION
 © COPYRIGHT BY TYCO ELECTRONICS CORPORATION. ALL INTERNATIONAL RIGHTS RESERVED.

LOC FT	DIST 0	REVISIONS		
P	LTR	DESCRIPTION	DATE	DWN
	P	REVISED PER ECO-08-029128	22NOV08	HMR
				APVD MS

- 1 PARTS PACKAGED UNASSEMBLED.
- 2 CABLE CLAMPING AREA ADJUSTABLE FROM .100 TO .410 SQ IN BY REVERSING CLAMPING INSERTS. (2 INSERTS SUPPLIED, -1 AND -2 ONLY)
- 3 CABLE CLAMPING AREA ADJUSTABLE FROM .100 TO .410 SQ IN BY CHANGING CLAMPING INSERTS. (4 INSERTS SUPPLIED, -4 ONLY)
- 4 .703 MAXIMUM CABLE OUTSIDE DIAMETER.
- 5 BULK PACKAGED KITS TO BE ORDERED IN MULTIPLES OF 100 ONLY.
- 6 NON-HEXAVALENT CHROMATE FINISH.

勝特力材料 886-3-5753170
 勝特力电子(上海) 86-21-34970699
 勝特力电子(深圳) 86-755-83298787
[Http://www.100y.com.tw](http://www.100y.com.tw)



6	INDIVIDUAL	1-206322-1
6	5 BULK	1-206322-0
6	INDIVIDUAL	206322-9
6	SMALL PACK	206322-8
6	INDIVIDUAL	206322-7
6	5 BULK	206322-6
6	SMALL PACK	206322-5
6	OBSOLETE INDIVIDUAL	206322-4
6	5 BULK	206322-2
6	INDIVIDUAL	206322-1

PACKAGING	PART NUMBER
-----------	-------------

THIS DRAWING IS A CONTROLLED DOCUMENT.		DWN A GRAFF 4/23/91	Tyco Electronics Corporation Harrisburg, PA 17105-3608	
DIMENSIONS: INCHES		CHK W.G.LENKER 7-22-92	NAME CABLE CLAMP KIT, LARGE, SHELL SIZE 17, CPC	
TOLERANCES UNLESS OTHERWISE SPECIFIED:		APVD -	PRODUCT SPEC 108-10024	
0 PLC ± -		PRODUCT SPEC	APPLICATION SPEC	
1 PLC ± -		APVD	-	
2 PLC ± -		WEIGHT	-	
3 PLC ± -		SIZE CAGE CODE DRAWING NO RESTRICTED TO		
4 PLC ± -		A3 00779 C-206322		
ANGLES ± -		SCALE NTS SHEET 1 OF 1 REV P		
FINISH -		CUSTOMER DRAWING		