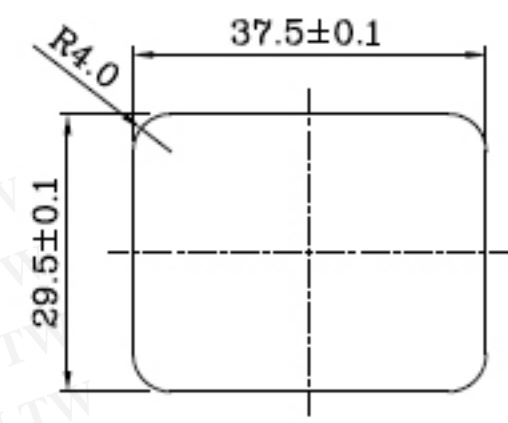
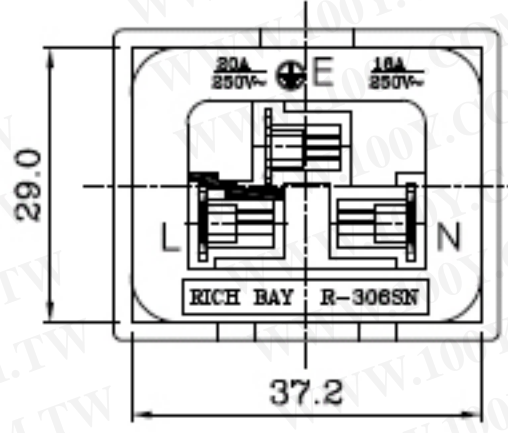
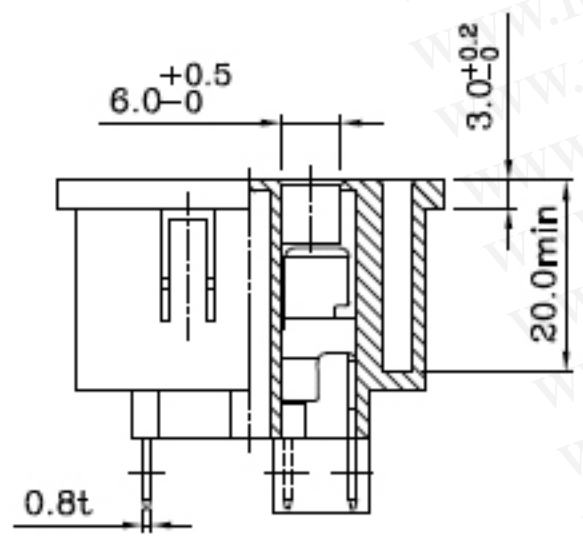


代碼	間隙	
A	12	1.2
	15	1.5
	17	1.7
	20	2.0
	25	2.5



**PANEL CUT-OUT**



**SPECIFICATION:**  
 1. INSULATION RESISTANCE: OVER 100MΩ 500V DC.  
 2. DIELECTRIC STRENGTH: 2000V AC ONE MINUTE.  
 3. Body Material: Black Glass-Fiber Thermoplastic . UL 94V-2~0  
 備註:用世楊插頭,插拔力40N~60N

勝特力材料 886-3-5753170  
 勝特力电子(上海) 86-21-34970699  
 勝特力电子(深圳) 86-755-83298787  
[Http://www.100y.com.tw](http://www.100y.com.tw)

Rating:AC 20A 250V	
Mark	Safety Regulation
cULus	cULus
Rating:AC 16A 250V	
Mark	Safety Regulation
	VDE
	CCC

IMPORTANT THIS DRAWING FOR REFERENCE ONLY 注意:此圖只供參考用

UNIT	UNIT QTY	SCALE	TOLERANCE		PRODUCT NO.	R-306SN(B204)	REV
			X.XX±0.1	XX.XX±0.2			
mm	1	1:1	XXX.XX±0.3				
ID NO			09091801Q	INTERIM NO.		A	
DESCRIPTION			NEW NO.				