

## AC 電源線組(Plug&Connector)



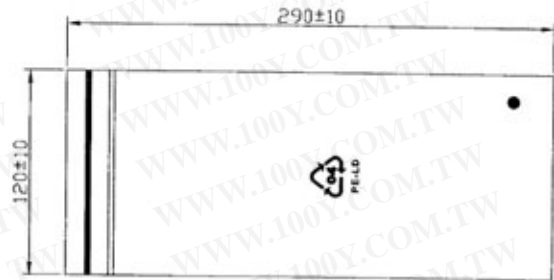
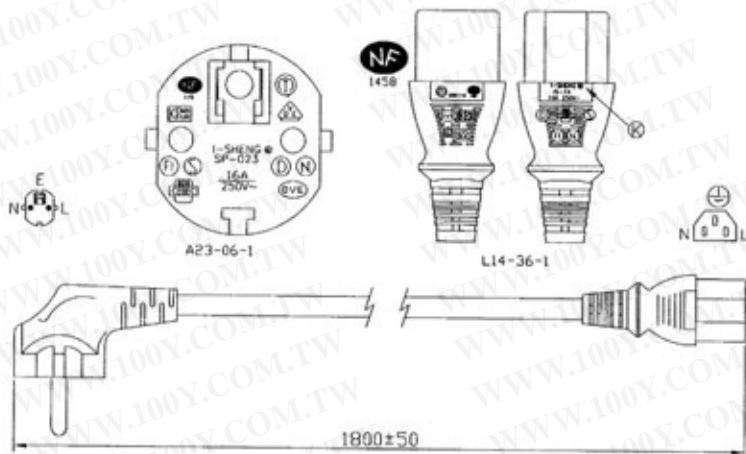
勝特力材料 886-3-5753170  
勝特力电子(上海) 86-21-54151736  
勝特力电子(深圳) 86-755-83298787  
[Http://www.100y.com.tw](http://www.100y.com.tw)

型號: SP-023

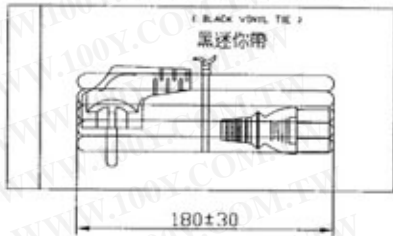
適用線材:  
H03VV-F 3G 0.75mm<sup>2</sup>  
H05VV-F 3G 0.75~1.5mm<sup>2</sup>  
H05RR-F 3G 0.75~1.5mm<sup>2</sup>  
H05RN-F 3G 0.75~1.0mm<sup>2</sup>  
05VA5V-F 3G 0.75~1.0mm<sup>2</sup>

證書: 

NO.	BOM ITEM	QUANTITY	PART NO.
1	SP-023 固定座	1 PCS	MB023012
2	PVC 50P (SP-023) CT-12	43.75 g	RPP05012
3	KPR-14 銅片	3 PCS	BBB14000
4	IS-14 內模套	1 PCS	MIL14000
5	PVC 50P (IS-14) CT-12	20 g	RPP05012



環保袋 ( PE BAG )



WIRING COLOR:

- E: Yellow/Green 黃/綠
- N: Blue 藍
- L: Brown 棕

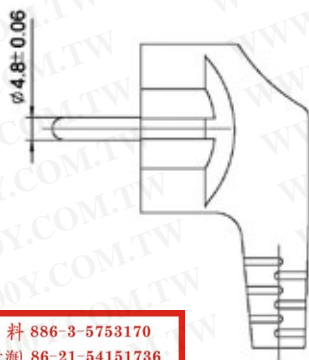
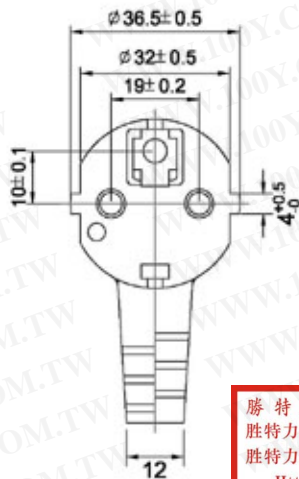
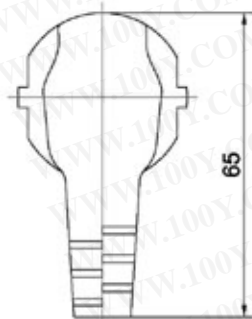
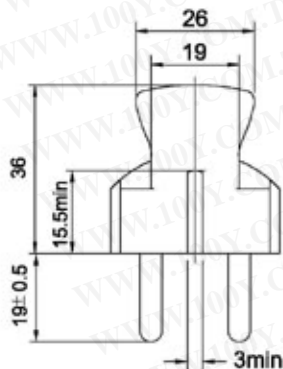
線材印字:

I-SHENG KSI5 <VDE> KEMA-KBUR 400V <VDE> △CEBEC 809 ○○○○  
 NF-USE 1353 IEMBOU H05VV-F 3G 0.75mm<sup>2</sup> 60227 IEC 53 RVV 300/500V ○  
 AD1481 3ASL75 4V-75 V-75 (75°C) 250/440V ORDINARY DUTY Q88228 -LP- CC

MANUFACTURER	<input type="checkbox"/> TWIS	<input type="checkbox"/> SGIS	<input type="checkbox"/> KSI5
CORD	H05VV-F 3G 0.75 3P CT-12(BLACK)		
PLUG	SP-023 + IS-14	WIRE LENGTH	1800
NAME		UNIT	mm
REV.			
PART NO.		DWG. NO.	S980105
			A

DESIGN BY: 王靜瑩 2009.7.1  
 REVIEW BY:  
 APPROVE BY: 謝人傑

Y34 6B3016 12 180 01

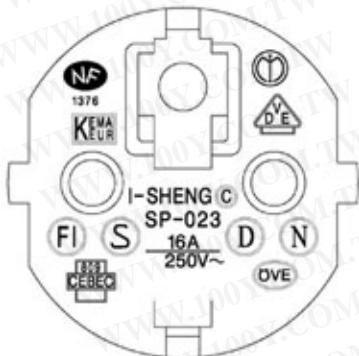


勝特力材料 886-3-5753170  
 勝特力电子(上海) 86-21-54151736  
 勝特力电子(深圳) 86-755-83298787  
[Http://www.100y.com.tw](http://www.100y.com.tw)

DWG. NAME		TYPE AND DIMENSIONS		TOLERANCE	
APPLY TO STANDARD	EUROPE APPROVAL POWER SUPPLY CORD				
ISSUE DATE	2000/07/19	REV.	E	< 1.0	±0.3
REVISE DATE	2008/03/27	UNIT	mm		
TYPE	SP-023	DWG NO.	A23-01	< 10.0	±0.5
WIRE	H05VV-F (0.75-1.0/3),H03VV-F (0.75/3)				
		DESIGN BY	FANNY WANG	< 20.0	±1.0
		REVIEW BY	GERRY LAI		
		APPROVE BY	RYAN LAI	> 20.0	±2.0

# MARKING

發行 2008.03.27	ISSUE 標準名稱 STD. NAME	EUROPE APPROVAL POWER SUPPLY CORD	編號 FILE NO. A23-1
修訂 C	REVISED CAT NO.	SP-023 成品標識示意圖	頁次 PAGE 1

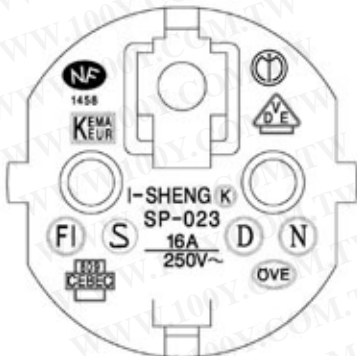


勝特力材料 886-3-5753170  
 勝特力电子(上海) 86-21-54151736  
 勝特力电子(深圳) 86-755-83298787  
[Http://www.100y.com.tw](http://www.100y.com.tw)

I-SHENG (SONGGANG)	製圖	張偉	審查	朱煥強	核准	秦協理
--------------------	----	----	----	-----	----	-----

# MARKING

發行 2008.03.27	ISSUE 標準名稱 STD. NAME	EUROPE APPROVAL POWER SUPPLY CORD	編號 FILE NO. A23-1
修訂 C	REVISED CAT NO.	SP-023 成品標識示意圖	頁次 PAGE 1



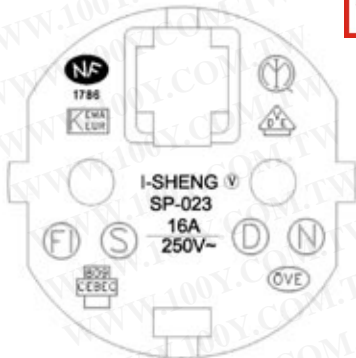
勝特力材料 886-3-5753170  
 勝特力电子(上海) 86-21-54151736  
 勝特力电子(深圳) 86-755-83298787  
[Http://www.100y.com.tw](http://www.100y.com.tw)

I-SHENG (KUNSHAN)	製圖	霍愛琴	審查	陳金華	核准	劉宗科
-------------------	----	-----	----	-----	----	-----

# MARKING

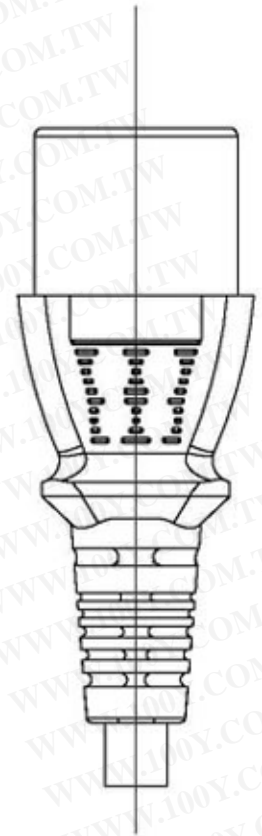
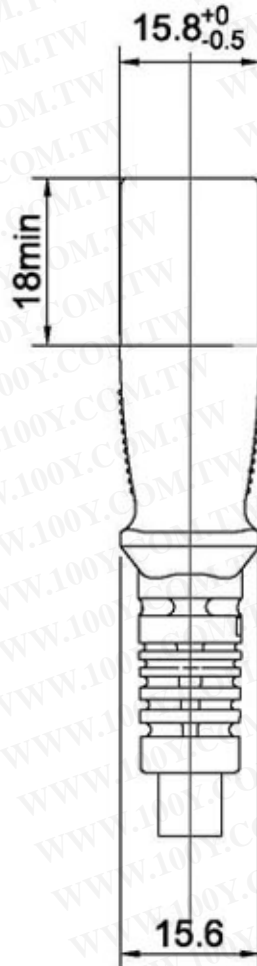
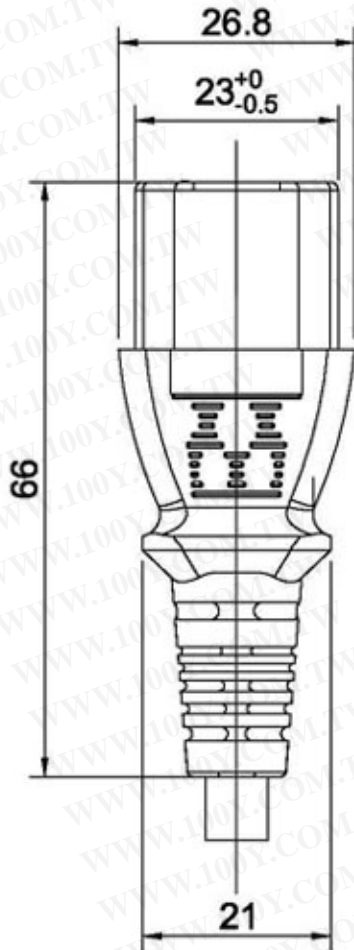
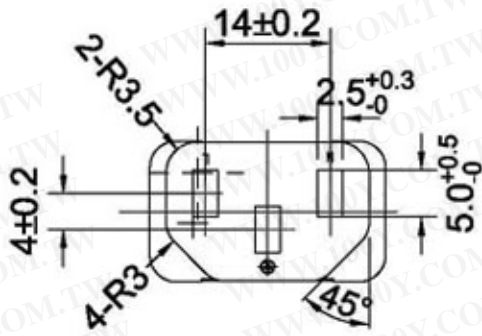
發行 ISSUE 2009.06.04	標準名稱 STD. NAME	EUROPE APPROVAL POWER SUPPLY CORD	編號 FILE NO. A23-1
修訂 REVISED A	品名 CAT NO.	SP-023 成品標識示意圖	頁次 PAGE 1

勝特力材料 886-3-5753170  
 勝特力电子(上海) 86-21-54151736  
 勝特力电子(深圳) 86-755-83298787  
[Http://www.100y.com.tw](http://www.100y.com.tw)



I-SHENG (VIETNAM)	製圖	曾鍾造	審查	胡丕權	核准	江福海
-------------------	----	-----	----	-----	----	-----

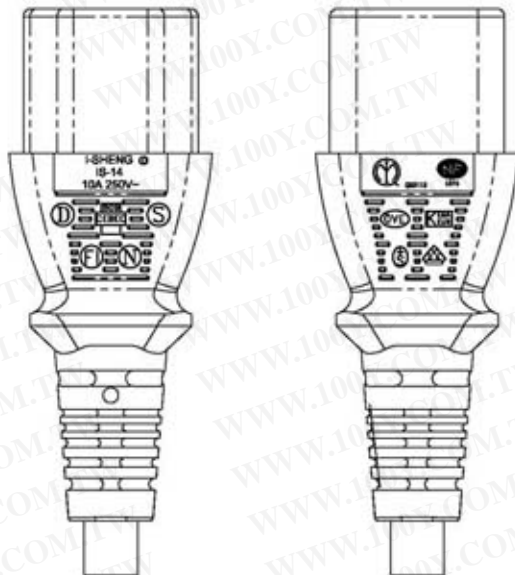
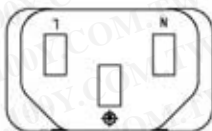
勝特力材料 886-3-5753170  
 勝特力电子(上海) 86-21-54151736  
 勝特力电子(深圳) 86-755-83298787  
[Http://www.100y.com.tw](http://www.100y.com.tw)



DWG. NAME	TYPE AND DIMENSIONS			<b>TOLERANCE</b>	
APPLY TO STANDARD	EUROPE APPROVAL POWER SUPPLY CORD				
ISSUE DATE	2000/09/19	REV.	E	≤ 1.0	±0.3
REVISE DATE	2005/06/29	UNIT	mm		
TYPE	IS-14	DWG. NO.	L14-01	≤ 10.0	±0.5
WIRE	H05VV-F (0.75~1.0/3),H03VV-F (0.75/3)				
	DESIGN BY	FANNY WANG		≤ 20.0	±1.0
	REVIEW BY	GERRY LAI			
	APPROVE BY	RYAN LAI		> 20.0	±2.0

# MARKING

發行 ISSUE 2008.03.27	標準名稱 STD. NAME	EUROPE APPROVAL POWER SUPPLY CORD	編號 FILE NO. L 14-1
修訂 REVISED C	品名 CAT NO.	IS-14 成品標識示意圖	頁次 PAGE 1



勝特力材料 886-3-5753170  
 勝特力电子(上海) 86-21-54151736  
 勝特力电子(深圳) 86-755-83298787  
[Http://www.100y.com.tw](http://www.100y.com.tw)

I-SHENG (SONGGANG)

製圖

張偉

審查

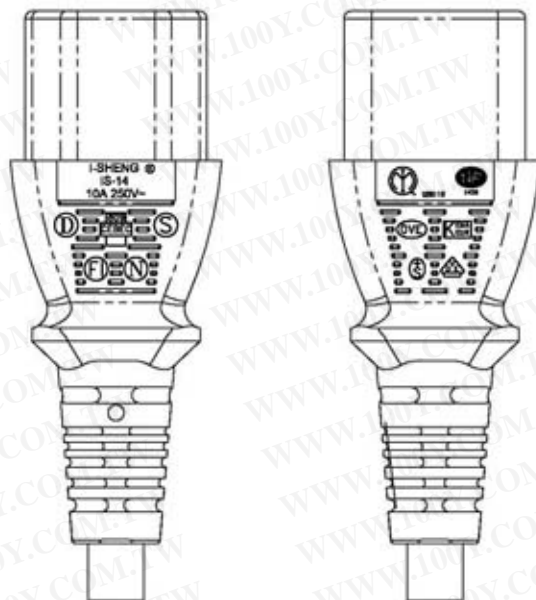
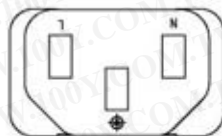
朱煥強

核准

秦協理

# MARKING

發行 ISSUDED 2008.03.27	標準名稱 STD. NAME	EUROPE APPROVAL POWER SUPPLY CORD	編號 FILE NO. L 14-1
修訂 REVISED C	品名 CAT. NO.	IS-14 成品標識示意圖	頁次 PAGE 1



勝特力材料 886-3-5753170  
 勝特力电子(上海) 86-21-54151736  
 勝特力电子(深圳) 86-755-83298787  
[Http://www.100y.com.tw](http://www.100y.com.tw)

I-SHENG (KUNSHAN)

製圖

翟愛琴

審查

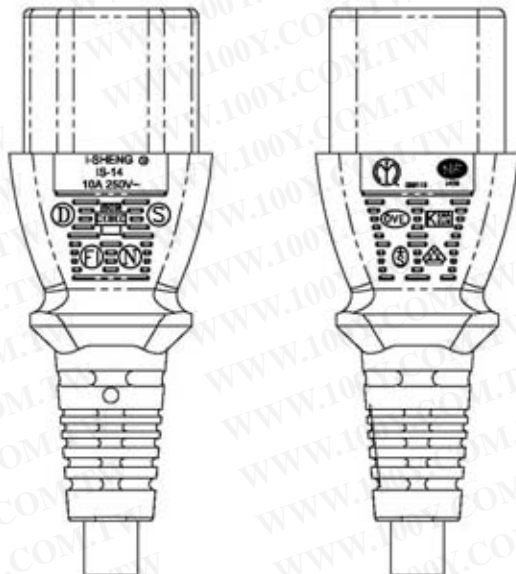
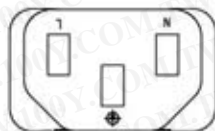
陳金華

核准

劉宗科

# MARKING

發行 ISSUE 2009.06.04	標準名稱 STD. NAME	EUROPE APPROVAL POWER SUPPLY CORD	編號 FILE NO. L 1 4 - 1
修訂 REVISED A	品名 CAT NO.	IS-14 成品標識示意圖	頁次 PAGE 1



勝特力材料 886-3-5753170  
 勝特力电子(上海) 86-21-54151736  
 勝特力电子(深圳) 86-755-83298787  
[Http://www.100y.com.tw](http://www.100y.com.tw)

I-SHENG (VIETNAM)

製圖

曾耀進

審查

胡丕權

核准

江福海

## SPECIFICATION

發行 ISSUED APR 16, 1998	標準名稱 STD. NAME	EUROPEAN APPROVAL POWER SUPPLY CORD	編號 FILE NO. Y34 6B3016
修定 REVISED May 13, 2009	品名 CAT NO.	SP-023+IS-14 H05VV-F 3G 0.75mm <sup>2</sup>	頁次 PAGE 1/2

### 1. SCOPE :

THIS SPECIFICATION IS APPLIED TO EUROPEAN POWER SUPPLY CORD  
 CONFORMING TO:

IEC 60227 IEC 60884-1 IEC 60083  
 IEC 60320 EN 60320

### 2. CONSTRUCTION AND DIMENSIONS :

IN ACCORDANCE WITH THE FOLLOWING TABLES AND ATTACHED DRAWINGS.

TABLE 1.

ITEM	CAT. NO.	RATING		APPROVED NO.
		A	V	
PLUG	SP-023	16	250	AS ATTACHMENT
CONNECTOR	IS-14	10	250	AS ATTACHMENT

TABLE 2.

FLEXIBLE CORD		H05VV-F 0.75/3G
APPROVED NO.		AS ATTACHMENT
RATING		300/500V 70°C
NO. OF CORE (COLOR OF CORE)		3 (BLUE, BROWN, GREEN/YELLOW)
CONDUCTOR	NOMINAL (mm <sup>2</sup> )	0.75mm <sup>2</sup>
	CONSTRUCTION (pcs/mm)	24/±0.20+0,-0.015
	CONDUCTOR RESISTANCE	Max 26Ω/km at 20°C
	IN CASE OF DISPUTE, CONDUCTOR RESISTANCE SHALL BE THE REFEREE METHOD.	
INSULATION	MEAN VALUE OF THICKNESS (mm)	0.6
	MIN. THICKNESS AT ANY POINT (mm)	0.44
	NOMINAL OVERALL DIAMETER (mm)	±2.35±0.1
SHEATH	MEAN VALUE OF THICKNESS (mm)	0.8
	MIN. THICKNESS AT ANY POINT (mm)	0.58
	NOMINAL OVERALL DIAMETER (mm)	±6.7±0.2



# SPECIFICATION

發行ISSUED APR 16,1998	標準名稱 STD. NAME EUROPEAN APPROVAL POWER SUPPLY CORD	編號 FILE NO. Y34 6B3016
修定 REVISED May 13,2009	品名 CAT NO. SP-023+IS-14 H05VV-F 3G 0.75mm <sup>2</sup>	頁次 PAGE 2/2

### 3. WIRE MARKING : PRINTING ON THE SHEATH

#### SHENZHEN:

I-SHENG SGIS <VDE> KEMA-KEUR +03 +03 +03 <B>VE ΔCEBEC 809 ⑤ ⑥ ⑧ ⑨ NF-USE 1346  
IEMMEQU H05VV-F 3G 0.75mm<sup>2</sup> 60227 IEC 53 RVV 300/500V Ⓢ A003083 3ASL/75  
4V-75 V-75(75°C) 250/440V ORDINARY DUTY Q88228 -LF- CE

#### KUNSHAN:

I-SHENG K SIS <VDE> KEMA-KEUR +03 +03 +03 <B>VE ΔCEBEC 809 ⑤ ⑥ ⑧ ⑨ NF-USE 1353  
IEMMEQU H05VV-F 3G 0.75mm<sup>2</sup> 60227 IEC 53 RVV 300/500V Ⓢ A041481 3ASL/75  
4V-75 V-75(75°C) 250/440V ORDINARY DUTY Q88228 -LF- CE

**勝特力材料 886-3-5753170**  
**勝特力电子(上海) 86-21-54151736**  
**勝特力电子(深圳) 86-755-83298787**  
[Http://www.100y.com.tw](http://www.100y.com.tw)

發行 ISSUED 2000.03.05	標準名稱 STD.NAME	SPECIFICATION	檔案編號 FILE NO
修訂 REVISED 2005.09.28	題目 TITLE	THE CHARACTERISTIC OF POWER SUPPLY CORD FOR EUROPE	SPEC-EU

Items 項目	Conditions 條件	Specification 規格
1 Insulation resistance 絕緣抵抗	Apply a voltage of 500 (+250,-0) V DC for 1 min. at an ambient temperature of 20°C, after which measurement shall be made.	Between two conductors 導體相互間
		Between a conductor and ground 導體大地間
		100MΩ or more 100MΩ以上
2 Electric strength 耐電壓	Testing transformer capacity (耐壓計容量) :500 VA or more Trip current (遮斷電流) :2mA frequency (周波數) :50/60 Hz	Between two Conductors 2800V/1min. 導體相互間,1分
		Between conductor and ground 2800V/1min. 導體大地間,1分
		Between conductors And outside body 4000 V/1 min. 導體表面間, 1分
		Without breakdown or flashover shall occur 沒有損壞
<div style="border: 2px solid red; padding: 5px; text-align: center;"> <p>勝特力材料 886-3-5753170            胜特力电子(上海) 86-21-54151736            胜特力电子(深圳) 86-755-83298787  <a href="http://www.100y.com.tw">Http://www.100y.com.tw</a></p> </div>		

發行 ISSUED 2000.03.05	標準名稱 STD.NAME	SPECIFICATION	檔案編號 FILE NO
修訂 REVISED 2005.09.28	題目 TITLE	THE CHARACTERISTIC OF POWER SUPPLY CORD FOR EUROPE	SPEC-EU

Items 項目	Conditions 條件	Specification 規格																					
3 Flexing test 屈曲強度	This test shall be made at an ambient temperature of $25 \pm 5^{\circ}\text{C}$ to examine the strength of protectors of the attachment plug and the cord connector.																						
	<table border="1"> <thead> <tr> <th></th> <th>Load Weight (g)</th> <th>Angle <math>\theta</math> (<math>^{\circ}</math>)</th> <th>Minor axis direction (turns)</th> <th>Optional direction (turns)</th> <th>Furthermore <math>90^{\circ}</math>rotational direction (turns)</th> <th>Rate of flexing per min (turns)</th> </tr> </thead> <tbody> <tr> <td>plug</td> <td>0.75mm<sup>2</sup> ↓ 1020(10N) 1.0mm<sup>2</sup> ↑ 2040(20N)</td> <td>45</td> <td></td> <td>10000</td> <td>5000</td> <td>60</td> </tr> <tr> <td>connector</td> <td>0.75mm<sup>2</sup> ↓ 1020(10N) 1.0mm<sup>2</sup> ↑ 2040(20N)</td> <td>45</td> <td></td> <td>20000</td> <td>10000</td> <td>60</td> </tr> </tbody> </table>		Load Weight (g)	Angle $\theta$ ( $^{\circ}$ )	Minor axis direction (turns)	Optional direction (turns)	Furthermore $90^{\circ}$ rotational direction (turns)	Rate of flexing per min (turns)	plug	0.75mm <sup>2</sup> ↓ 1020(10N) 1.0mm <sup>2</sup> ↑ 2040(20N)	45		10000	5000	60	connector	0.75mm <sup>2</sup> ↓ 1020(10N) 1.0mm <sup>2</sup> ↑ 2040(20N)	45		20000	10000	60	After the test the sample shall show no damage except that breakage of no more than 10% of the total number of conductor strands in any core is ignored provided they have not pierced the insulation.
		Load Weight (g)	Angle $\theta$ ( $^{\circ}$ )	Minor axis direction (turns)	Optional direction (turns)	Furthermore $90^{\circ}$ rotational direction (turns)	Rate of flexing per min (turns)																
plug	0.75mm <sup>2</sup> ↓ 1020(10N) 1.0mm <sup>2</sup> ↑ 2040(20N)	45		10000	5000	60																	
connector	0.75mm <sup>2</sup> ↓ 1020(10N) 1.0mm <sup>2</sup> ↑ 2040(20N)	45		20000	10000	60																	
<p>A sample of flexing cord shall be fixed in the apparatus as shown in the above. The sample shall be bent backwards and forwards on a direction perpendicular to the plan of the axis of the conductors, the two extreme positions marking the specified angle on both side of the vertical. The attachment plug end or cord connector end shall be placed in the center of the swinging board. The specified weight shall be suspended from the cord and the board shall swing be specified times at the specified rate, making a one way bending one cycle.</p>																							

勝特力材料 886-3-5753170  
 勝特力电子(上海) 86-21-54151736  
 勝特力电子(深圳) 86-755-83298787

[Http://www.100y.com.tw](http://www.100y.com.tw)

發行 ISSUED 2000.03.05	標準名稱 STD.NAME	SPECIFICATION	檔案編號 FILE NO
修訂 REVISED 2005.09.28	題目 TITLE	THE CHARACTERISTIC OF POWER SUPPLY CORD FOR EUROPE	SPEC-EU

Items 項目	Conditions 條件	Specification 規格																	
4	<p>Withdrawal force 引拔力</p> <p>Withdraw the cord connector straight into (or form) the standard gauge. Verification of the maximum withdrawal force The connector is inserted to the full depth into and withdrawn from the appropriate appliance inlet 10 times. It is then again inserted for a principal mass is such that it exerts a force equal to one-tenth of the maximum withdrawal force specified in the table and it shall be made one piece and a supplementary Verification of the minimum withdrawal force Is applied to each individual connector contact with the contact axes vertical and the gauge hanging vertically downwards. The total mass of the gauge shall be such as to exert the applicable force as show in table.</p> <table border="1" data-bbox="339 649 698 882"> <thead> <tr> <th rowspan="3">Type of connector</th> <th colspan="3">Withdrawal force N (kg)</th> </tr> <tr> <th colspan="2">Multi pin gauge</th> <th rowspan="2">Single pin gauge minimum</th> </tr> <tr> <th>max</th> <th>Min</th> </tr> </thead> <tbody> <tr> <td>0.2A 2.5A 6A 10A</td> <td>50 (5.1)</td> <td>10 (1.0)</td> <td>1.5 (0.15)</td> </tr> <tr> <td>16A</td> <td>60 (6.1)</td> <td>15 (1.5)</td> <td>2 (0.2)</td> </tr> </tbody> </table>	Type of connector	Withdrawal force N (kg)			Multi pin gauge		Single pin gauge minimum	max	Min	0.2A 2.5A 6A 10A	50 (5.1)	10 (1.0)	1.5 (0.15)	16A	60 (6.1)	15 (1.5)	2 (0.2)	<p>After Verification of the maximum withdrawal force test. The principal mass is hung on the connector without jolting and the supplementary mass is allowed to fall from a height of 5 cm on to the principal mass. The connector shall not remain in the appliance inlet. After Verification of the minimum withdrawal force test. The test pin gauge is applied gently, and care is taken not to knock the assembly when checking the minimum withdrawal force. The gauge shall not fall from the contact assembly within 3 sec.</p>
Type of connector	Withdrawal force N (kg)																		
	Multi pin gauge		Single pin gauge minimum																
	max	Min																	
0.2A 2.5A 6A 10A	50 (5.1)	10 (1.0)	1.5 (0.15)																
16A	60 (6.1)	15 (1.5)	2 (0.2)																

勝特力材料 886-3-5753170  
 勝特力电子(上海) 86-21-54151736  
 勝特力电子(深圳) 86-755-83298787  
[Http://www.100y.com.tw](http://www.100y.com.tw)

發行 ISSUED 2000.03.05	標準名稱 STD.NAME	SPECIFICATION	檔案編號 FILE NO
修訂 REVISED 2005.09.28	題目 TITLE	THE CHARACTERISTIC OF POWER SUPPLY CORD FOR EUROPE	SPEC-EU

Items 項目	Conditions 條件	Specification 規格
5 Temperature rise 溫昇	An alternating current of 1.25 times rated current is passed through the current-carrying contacts for 1h For connectors with earthing contact, the current is then passed through one current-carrying contact and the earthing contact for 1h  <div style="border: 2px solid red; padding: 5px; width: fit-content; margin: 10px auto;">           勝特力材料 886-3-5753170            勝特力电子(上海) 86-21-54151736            勝特力电子(深圳) 86-755-83298787            Http://www.100y.com.tw         </div>	The temperature rise of terminals and contacts shall not exceed 45k
6 Breaking capacity 啓斷容量	The connector and appliance inlet are connected and disconnected 50 times (100 strokes) at a rate of 30 strokes per minute. The length of a stroke of the test apparatus is between 50mm and 60mm The periods during which the test current is passed from the connection to the subsequent disconnection of the accessories are 1.5(+0.5,-0)s The test voltage is 275V, the test current is 1.25 times rated current and the power factor is at least 0.95 for 10A and 16A connectors and 0.6±0.05 for other connectors	The specimen shall show no damage impairing its further use and the entry holes for the pin shall not show any serious damage.
7 Resistance to heat 耐熱試驗	Test being made in a heating cabinet at a temperature of 100 ±2°C The specimen is clamped between steel jaws, having a cylindrical face of 25mm radius, a width of 15mm and a length of 50mm. The corners are rounded with a radius of 2.5mm. The specimen is clamped in such a way that the jaws press against it in the area where it is gripped in normal use, the centre line of the jaws coinciding as nearly as possible with the centre of this area. The force applied through the jaws is 20N	After 1h, the jaws are removed and the specimen shall show no damage within the meaning of this standard.

發行 ISSUED 2000.03.05	標準名稱 STD.NAME	SPECIFICATION	檔案編號 FILE NO
修訂 REVISED 2005.09.28	題目 TITLE	THE CHARACTERISTIC OF POWER SUPPLY CORD FOR EUROPE	SPEC-EU

Items 項目	Conditions 條件	Specification 規格
8 Resistance to Aging 老化試驗	<p>The specimens are suspended freely in a heating cabinet, ventilated by natural circulation. They are kept in the cabinet, which is maintained at a temperature of <math>80 \pm 2^{\circ}\text{C}</math>, for 168h (7 days).</p> <p>After the test are allowed to attain approximately ambient temperature and are examined. They shall show no crack visible to the naked eye, nor shall the material have become sticky or greasy, this being judged as follows</p> <p>A forefinger wrapped in a dry piece of rough cloth is pressed on the specimen with a force of 5N.</p> <p>No traces of the cloth shall remain on the specimen and the material of the specimen shall not stick to the cloth</p>	<p>After this test, the specimen shall show no damage which would lead to non-compliance with this standard.</p>
9 Moisture resistance 耐濕性	<p>The humidity treatment is carried out in a humidity cabinet containing air with a relative humidity maintained between 91% and 95% The temperature of the air, at all places where specimens can be located, is maintained within <math>\pm 1^{\circ}\text{C}</math> of any convenient value <math>t^{\circ}\text{C}</math> between <math>20^{\circ}\text{C}</math> and <math>30^{\circ}\text{C}</math></p> <p>Before being placed in the humidity cabinet, the specimens are brought to a temperature between <math>t^{\circ}\text{C}</math> and <math>(t+4)^{\circ}\text{C}</math></p> <p>The specimens are kept in the cabinet for</p> <ul style="list-style-type: none"> <li>- 168h (7 days) for connector with earthing contact and for appliance inlets with earthing contact, which are submitted as individual accessories, not incorporated in other equipment.</li> <li>- 48h (2 day) in all other cases.</li> </ul>	<p>After this treatment, the specimen shall show no damage.</p>

勝特力材料 886-3-5753170  
 勝特力电子(上海) 86-21-54151736  
 勝特力电子(深圳) 86-755-83298787  
[Http://www.100y.com.tw](http://www.100y.com.tw)

發行 ISSUED 2000.03.05	標準名稱 STD.NAME	SPECIFICATION	檔案編號 FILE NO
修訂 REVISED 2005.09.28	題目 TITLE	THE CHARACTERISTIC OF POWER SUPPLY CORD FOR EUROPE	SPEC-EU

Items 項目	Conditions 條件	Specification 規格										
10 Mechanical strength of connector body	<p>After the connector's point is fixed as shown in the figure below. A lateral pull, as specified in table, is applied to the cord first in a direction perpendicular to the plane containing the axes of the current-carrying pin, and shall be applied vertically and slowly for 60 sec. This sequence of operation is made 1 time in one direction and then 1 time in the opposite direction.</p> <table border="1"> <thead> <tr> <th>Rated current of connector A</th> <th>Pull N (Kg)</th> </tr> </thead> <tbody> <tr> <td>2.5</td> <td>6 (0.61)</td> </tr> <tr> <td>6</td> <td>35 (3.57)</td> </tr> <tr> <td>10</td> <td>35 (3.57)</td> </tr> <tr> <td>16</td> <td>50 (5.1)</td> </tr> </tbody> </table> <p style="text-align: center;">UNIT:mm</p>	Rated current of connector A	Pull N (Kg)	2.5	6 (0.61)	6	35 (3.57)	10	35 (3.57)	16	50 (5.1)	After the test, the connector shall show no damage.
Rated current of connector A	Pull N (Kg)											
2.5	6 (0.61)											
6	35 (3.57)											
10	35 (3.57)											
16	50 (5.1)											
11 Polarity/Continuity	Line and neutral shall be test at 24V; shall be instantaneous	Without breakdown										

勝特力材料 886-3-5753170  
 勝特力电子(上海) 86-21-54151736  
 勝特力电子(深圳) 86-755-83298787  
[Http://www.100y.com.tw](http://www.100y.com.tw)