

# P 17 Tempra IP 44 and IP 55 - LV 16 and 32 A

sockets, plugs, mobile sockets, appliance inlets and interlocked switched sockets

勝特力材料 886-3-5753170  
 勝特力电子(上海) 86-21-34970699  
 勝特力电子(深圳) 86-755-83298787  
 Http://www.100y.com.tw



Technical characteristics p. 353

Pack	Cat.Nos	Surface mounting sockets
		Closing without screws
10	16 A IP 44 32 A 0 555 50	<b>100/130 V</b> ~ 2P+E
10	0 555 53   0 555 73	<b>200/250 V</b> ~ 2P+E
10	0 555 57   0 555 77	<b>380/415 V</b> ~ 3P+E
10	0 555 58   0 555 78	3P+N+E

Pack	Cat.Nos	Mobile sockets
		Cable clamping and closing without screws
10	16 A IP 44 32 A 0 575 11	<b>100/130 V</b> ~ 2P+E
10	0 575 14   0 582 14	<b>200/250 V</b> ~ 2P+E
10	0 575 18   0 582 18	<b>380/415 V</b> ~ 3P+E
10	0 575 19   0 582 19	3P+N+E

Pack	Cat.Nos	Panel mounting sockets inclined outlet
		Can be fixed on plain faceplates or pre-drilled (p. 358) and on flush mounting boxes (p. 351)
10	16 A IP 44 32 A 0 576 10	<b>100/130 V</b> ~ 2P+E
10	0 576 11   0 576 12	<b>200/250 V</b> ~ 2P+E
10	<b>0 576 17</b>   0 576 18	<b>380/415 V</b> ~ 3P+E
10	0 576 23   0 576 24	3P+N+E

Pack	Cat.Nos	Appliance inlets
5	16 A IP 44 32 A 0 575 84   0 582 84	<b>200/250 V</b> ~ 2P+E
5	0 575 88   0 582 88	<b>380/415 V</b> ~ 3P+E
5	0 575 89   0 582 89	3P+N+E

Pack	Cat.Nos	Panel mounting sockets straight outlet small flange
		Can be fixed only on plain faceplates Cat.Nos 0 577 15/16 (p. 358)
5	IP 44 16 A 0 573 54	<b>200/250 V</b> ~ 2P+E

Pack	Cat.Nos	Interlocked switched sockets with small flange
		Conform to EN/IEC 60529 Plastic Dimensions: 125 x 105 mm Can be fixed only on faceplate Cat.No 577 23 (p. 358)
1	IP 44 16 A IP 55 <b>0 573 00</b>   <b>0 573 20</b>	<b>200/250 V</b> ~ 2P+E
1	<b>0 573 01</b>   <b>0 573 21</b>	<b>380/415 V</b> ~ 3P+E
1	<b>0 573 02</b>   <b>0 573 22</b>	3P+N+E

Pack	Cat.Nos	Phase inverter plugs
		Straight plugs for changing rotation direction of a 3-phase electric motor
5	16 A IP 44 32 A 0 574 40   0 581 40	<b>380/415 V</b> ~ 3P+E
5	0 574 41   0 581 41	3P+N+E

**Combined units with interlocked switched sockets** (p. 357)

Pack	Cat.Nos	Straight plugs
		Cable clamping and closing without screws
10	16 A IP 44 32 A 0 574 31	<b>100/130 V</b> ~ 2P+E
10	0 574 34   0 581 34	<b>200/250 V</b> ~ 2P+E
10	0 574 38   0 581 38	<b>380/415 V</b> ~ 3P+E
10	0 574 39   0 581 39	3P+N+E



For dimensions of straight plugs and mobile sockets, **see e-catalogue**

## P 17 Tempra IP 44 - LV 16 and 32 A

### ■ Characteristics

Terminal connection:

- Panel and surface mounting sockets

16 A: max. 1 x 4 mm<sup>2</sup> rigid

32 A: max. 1 x 10 mm<sup>2</sup> rigid

- Appliance inlets:

16 A: max. 1 x 2.5 mm<sup>2</sup> rigid

32 A: max. 1 x 6 mm<sup>2</sup> rigid

- Plugs and mobile sockets:

16 A: max. 1 x 2.5 mm<sup>2</sup> flexible

32 A: max. 1 x 6 mm<sup>2</sup> flexible

IP 44 according to IEC and EN 60529

IK 08 according to EN 50102 for interlocked switched sockets with small flange

IK 09 according to IEC 62262 and EN 62262

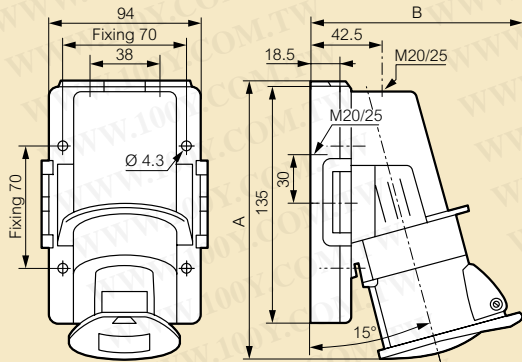
Material: plastic

Self-extinguishing: 850 °C (support of active parts) / 650 °C (plastic housing)

- 25 °C to + 40 °C according to IEC 60309-1

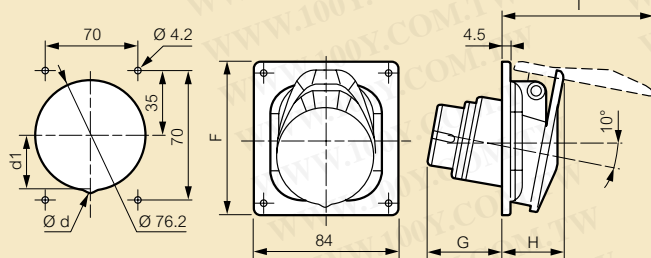
### ■ Dimensions

#### Surface mounting sockets (p. 350)



	LV 16 A			LV 32 A		
	2P+E	3P+E	3P+N+E	2P+E	3P+E	3P+N+E
<b>A</b>	158	158	171	181	181	192
<b>B</b>	121	123	130	135	135	140

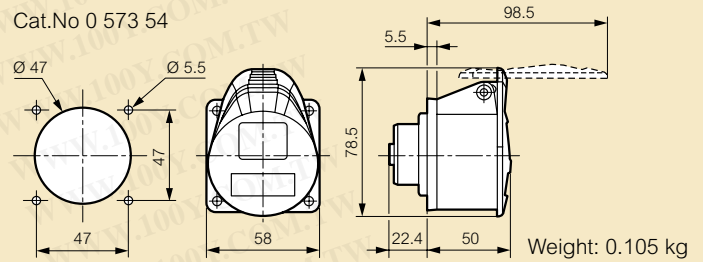
#### Panel mounting sockets inclined outlet (p. 350)



	Weight (kg)	Ø d	d1	F	G	H	I
<b>LV 16 A</b>							
2P+E	0.110	-	-	84	42	33	83.5
3P+E	0.140	-	-	84	43	34.5	91.3
3P+N+E	0.165	-	-	84	43	36.5	100
<b>LV 32 A</b>							
2P+E	0.220	-	-	94	54	44	112
3P+E							
3P+N+E	0.255	8	36	94	54	45	120

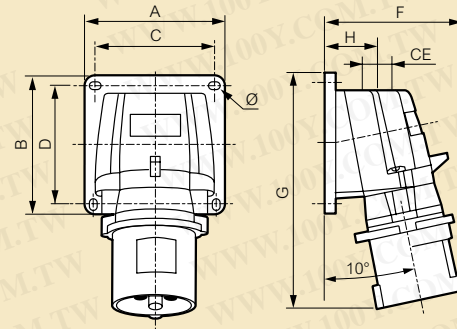
#### Panel mounting socket straight outlet small flange (p. 350)

Cat.No 0 573 54



#### Appliance inlets (p. 350)

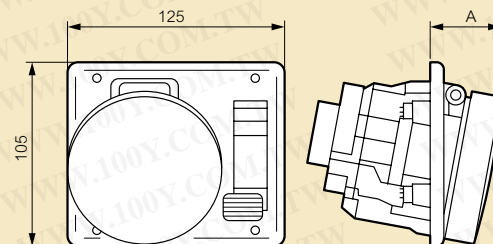
Cat.Nos 0 575 84/88/89 and 0 582 84/88/89



	Weight (kg)	A	B	C	D	F	G	H	CE	Ø
<b>LV 16 A</b>										
2P+E	0.168	84	84	72	72	77	126	34	M20	4.3
3P+E	0.232	84	84	72	72	84	134	34	M20	4.3
3P+N+E	0.256	84	84	72	72	91	141	34	M20	4.3
<b>LV 32 A</b>										
2P+E	0.325	110	110	98	98	96	168	39	M25	5.3
3P+E										
3P+N+E	0.364	110	110	98	98	102	168	39	M25	5.3

#### Interlocked switched sockets with small flange (p. 350)

Cat.Nos 0 573 00/01/02 and 0 573 20/21/22



16 A	IP	A	IP	A
2P+E	44	38	55	45
3P+E	44	38	55	45
3P+N+E	44	38	55	45