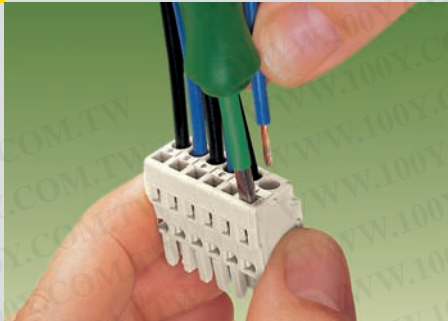


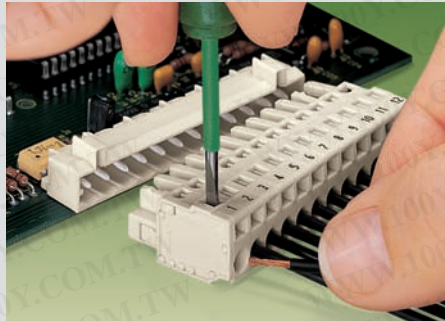
# MULTI CONNECTION SYSTEM MIDI – 100 % Protected against Mismatching

## Description and Handling

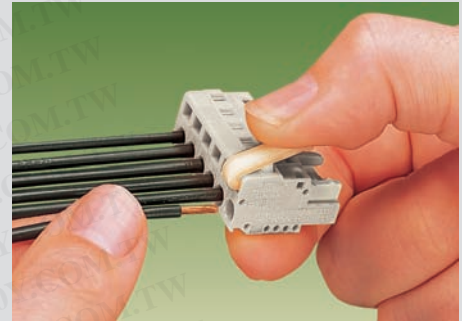
### CAGE CLAMP® connection



Connection of conductors – front-entry

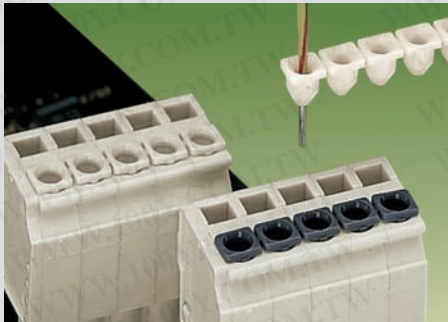


Connection of conductors – side-entry

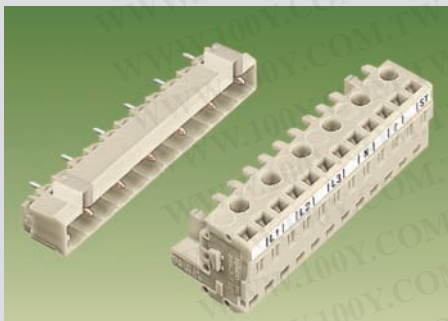


Connection of conductors – side-entry wiring with snap-on lever. Item No. 231-131

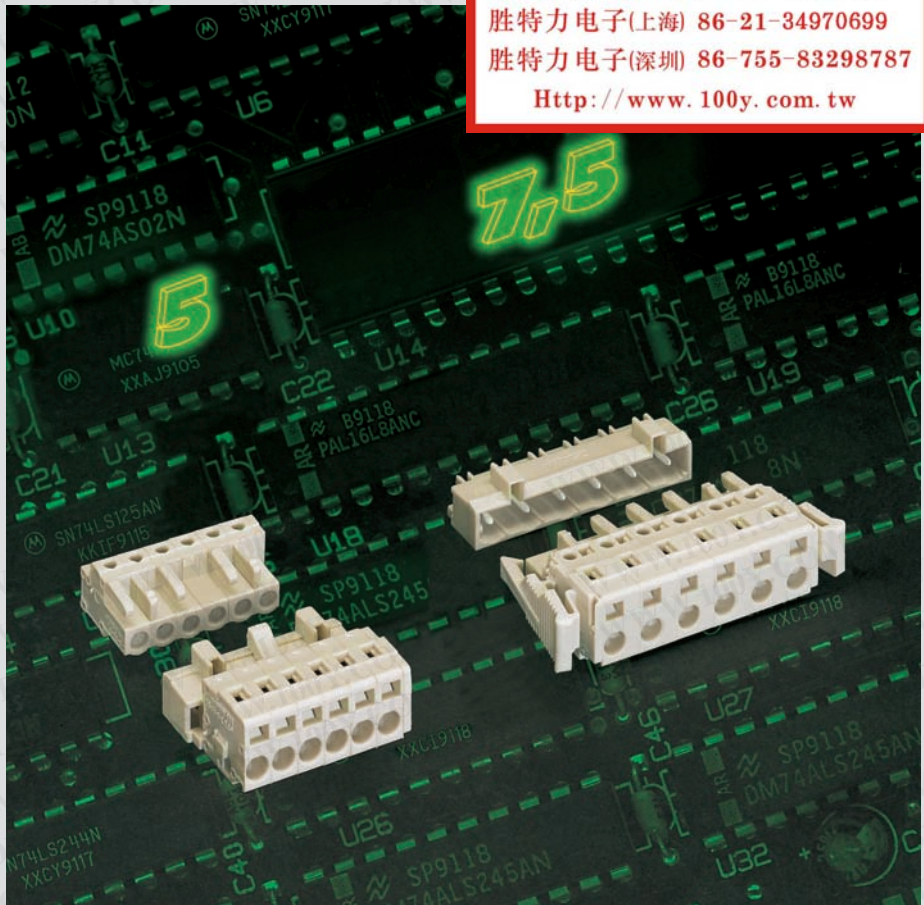
### Insulation stop



### Pin spacing 10 mm/0.394 in

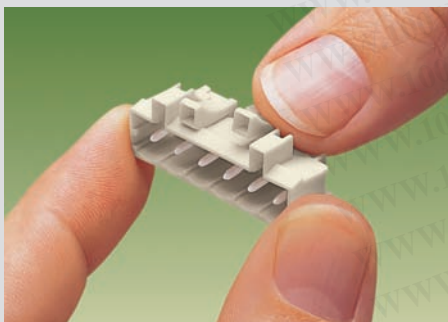


Pin spacing 10 mm/0.395 in on request



勝特力材料 886-3-5753170  
 勝特力电子(上海) 86-21-34970699  
 勝特力电子(深圳) 86-755-83298787  
[Http://www.100y.com.tw](http://www.100y.com.tw)

### Coding

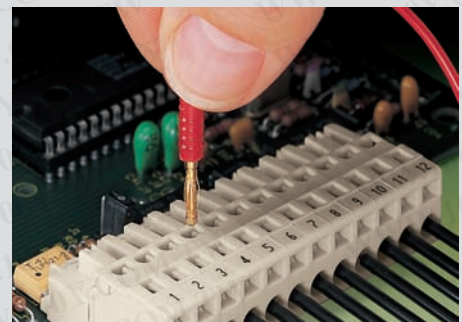


Coding of a header – fitting of coding key(s)



Coding of a female connector – removal of coding finger(s)

### Testing



Testing with test plug 2 mm Ø oder 2.3 mm Ø

CAGE CLAMP® clamps the following copper wires:



solid



stranded



fine-stranded



tip bonded



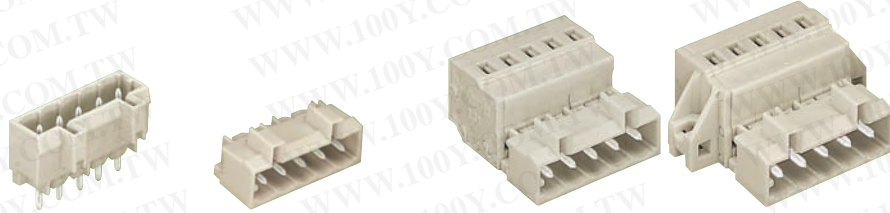
with crimped ferrule



with crimped pin terminal

# MULTI CONNECTION SYSTEM MIDI – 100 % Protected against Mismatching, Headers with Solder Pins; Male Connectors with CAGE CLAMP®, Pin Spacings 5 mm/0.197 in and 7.5 mm/0.295 in

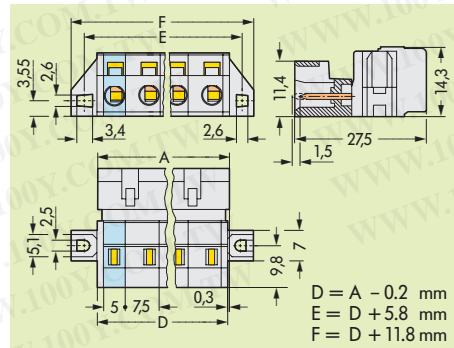
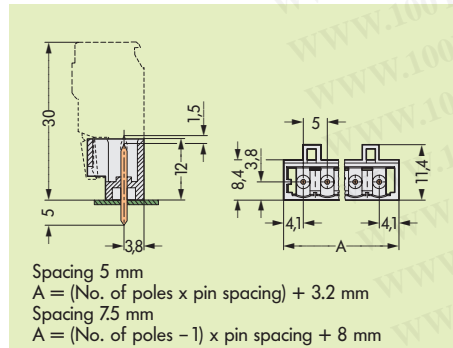
<b>Pin spacing 5 mm/0.197 in, light grey</b> 250 V/4 kV/3   300 V, 10 A 12 A   300 V, 15 A <b>Pin spacing 7.5 mm/0.295 in, light grey</b> 400 V/6 kV/3   300 V, 10 A 12 A   300 V, 15 A *	<b>Pin spacing 5 mm/0.197 in, light grey</b> 0.08 – 2.5 mm <sup>2</sup>   AWG 28 – 12** 250 V/4 kV/3   300 V, 15 A 12 A   300 V, 15 A <b>Pin spacing 7.5 mm/0.295 in, light grey</b> 400 V/6 kV/3   300 V, 15 A *	<b>Accessories</b>
---	---	--------------------



勝特力材料 886-3-5753170  
 勝特力电子(上海) 86-21-34970699  
 勝特力电子(深圳) 86-755-83298787  
[Http://www.100y.com.tw](http://www.100y.com.tw)

No. of poles	Item No.	Item No.	No. of poles	Item No.	Item No.	Accessories, Series 721 and 723	Item No.
<b>Closed end headers, 100% protected against mismatching, light grey solder pin 1 mm x 1 mm</b>			<b>Male connectors with CAGE CLAMP®, 100% protected against mismatching, light grey</b>			<b>Marker strips, self-adhesive</b>	
<b>Pin spacing 5 mm/0.197 in</b>			<b>Pin spacing 5 mm/0.197 in</b>			<b>Spacing 5 mm/0.197 in</b>	
	straight	angled			with fixing flanges	1-12 (300x) 210-331/0500-0103	
2	721-132/001-000	721-432/001-000	2	721-602	721-602/019-000	13-24 (300x) 210-331/0500-0104	
3	721-133/001-000	721-433/001-000	3	721-603	721-603/019-000	<b>Spacing 7.5 mm/0.295 in</b>	
4	721-134/001-000	721-434/001-000	4	721-604	721-604/019-000	1-16 (100x) 210-331/0750-0202	
5	721-135/001-000	721-435/001-000	5	721-605	721-605/019-000	<b>Coding key, snap-on type,</b>	
6	721-136/001-000	721-436/001-000	6	721-606	721-606/019-000	<b>Spacing 5 mm/0.197 in</b>	
7	721-137/001-000	721-437/001-000	7	721-607	721-607/019-000	light grey 231-129	
8	721-138/001-000	721-438/001-000	8	721-608	721-608/019-000	<b>Spacing 7.5 mm/0.295 in</b>	
9	721-139/001-000	721-439/001-000	9	721-609	721-609/019-000	light grey 231-130	
10	721-140/001-000	721-440/001-000	10	721-610	721-610/019-000	<b>Insulation stop, 5 pcs/strip</b>	
12	721-142/001-000	721-442/001-000	12	721-612	721-612/019-000	<b>Spacing 5 mm/0.197 in</b>	
14	721-144/001-000	721-444/001-000	14	721-614	721-614/019-000	0.08 - 0.2 mm <sup>2</sup> ①	
16	721-146/001-000	721-446/001-000	16	721-616	721-616/019-000	white 231-670	
20	721-150/001-000	721-450/001-000	20	721-620	721-620/019-000	0.25 - 0.5 mm <sup>2</sup>	
<b>Pin spacing 7.5 mm/0.295 in</b>			<b>Pin spacing 7.5 mm/0.295 in</b>			light grey 231-671	
	straight	angled			with fixing flanges	0.75 - 1 mm <sup>2</sup>	
2	721-232/001-000	721-832/001-000	2	723-602	723-602/019-000	dark grey 231-672	
3	721-233/001-000	721-833/001-000	3	723-603	723-603/019-000	<b>Spacing 7.5 mm/0.295 in</b>	
4	721-234/001-000	721-834/001-000	4	723-604	723-604/019-000	0.08 - 0.2 mm <sup>2</sup> ①	
5	721-235/001-000	721-835/001-000	5	723-605	723-605/019-000	white 231-673	
6	721-236/001-000	721-836/001-000	6	723-606	723-606/019-000	0.25 - 0.5 mm <sup>2</sup>	
7	721-237/001-000	721-837/001-000	7	723-607	723-607/019-000	light grey 231-674	
8	721-238/001-000	721-838/001-000	8	723-608	723-608/019-000	0.75 - 1 mm <sup>2</sup>	
9	721-239/001-000	721-839/001-000	9	723-609	723-609/019-000	dark grey 231-675	
10	721-240/001-000	721-840/001-000	10	723-610	723-610/019-000	① 0.2 mm <sup>2</sup> s" (0.14 mm <sup>2</sup> f-st")	
11	721-241/001-000	721-841/001-000	11	723-611	723-611/019-000	<b>Fixing element, horizontal,</b>	
12	721-242/001-000	721-842/001-000	12	723-612	723-612/019-000	grey 231-193	

**Dimensions (in mm)** Diameter of drilled hole: 1.4<sup>+0.1</sup> mm (solder pin 1 mm x 1 mm)



<b>Fixing element, horizontal,</b>	grey	231-193
<b>Tapping screw,</b>	B 2.2 x 13	231-194
	B 2.2 x 9.5	209-147
	Fixing hole Ø 1.8 mm	
<b>Screw M 2 x 12 with nut</b>		231-195
	for fixing element	
<b>Test plug, with cable 500 mm/1'7.7" long</b>	2 mm Ø	210-136 red
	2.3 mm Ø	210-137 yellow

\* You can find approvals on the Internet at [www.wago.com](http://www.wago.com). Technical explanations and abbreviations see page 10.2.



# MULTI CONNECTION SYSTEM MIDI – 100 % Protected against Mismatching, Female Connectors with Solder Pins, Pin Spacings 5 mm/0.197 in and 7.5 mm/0.295 in

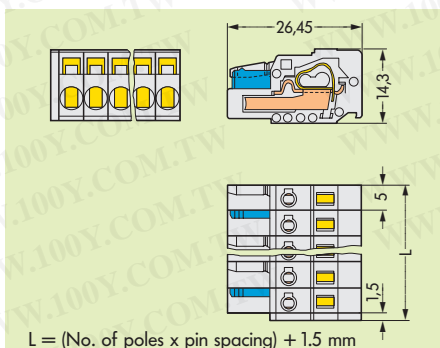
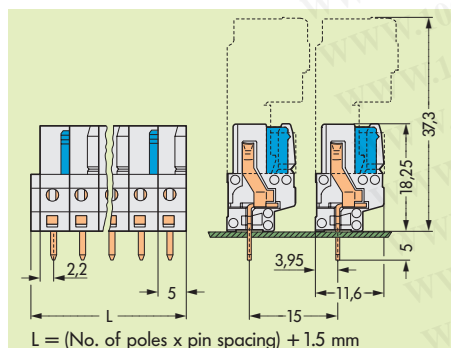
<b>Pin spacing 5 mm/0.197 in, light grey</b> 250 V/4 kV/3   300 V, 10 A 12 A   300 V, 15 A	<b>Pin spacing 5 mm/0.197 in, light grey</b> 0.08 – 2.5 mm <sup>2</sup>   AWG 28 – 12 250 V/4 kV/3   300 V, 15 A 16 A	<b>Accessories</b>
<b>Pin spacing 7.5 mm/0.295 in, light grey</b> 400 V/6 kV/3   300 V, 10 A *	<b>Pin spacing 7.5 mm/0.295 in, light grey</b> 400 V/6 kV/3   300 V, 10 A *	



勝特力材料 886-3-5753170  
 勝特力电子(上海) 86-21-34970699  
 勝特力电子(深圳) 86-755-83298787  
[Http://www.100y.com.tw](http://www.100y.com.tw)

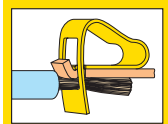
No. of poles	Item No.	Item No.	No. of poles	Item No.	Item No.	Accessories, Series 721 and 722	Item No.
<b>Female connectors with solder pins, 100 % protected against mismatching, with coding fingers, with two latches, light grey, solder pin 0.6 mm x 1 mm</b>			<b>Female connectors with CAGE CLAMP®, 100 % protected against mismatching, with coding fingers, with two latches, light grey,</b>			<b>Marker strips, 100 self-adhesive strips</b>	
<b>Pin spacing 5 mm/0.197 in</b>			<b>Pin spacing 5 mm/0.197 in</b>			<b>Spacing 5 mm/0.197 in</b>	
	straight	angled		with locking device		1-12 (300x) <b>210-331/0500-0103</b> 13-24 (300x) <b>210-331/0500-0104</b>	
2**	<b>722-132</b>	<b>722-232</b>	2**	<b>721-102/026-000</b>	<b>721-102/037-000</b>	<b>Spacing 7.5 mm/0.295 in</b> 1-16 (100x) <b>210-331/0750-0202</b>	
3	<b>722-133</b>	<b>722-233</b>	3	<b>721-103/026-000</b>	<b>721-103/037-000</b>	<b>Insulation stop, 5 pcs/strip</b>	
4	<b>722-134</b>	<b>722-234</b>	4	<b>721-104/026-000</b>	<b>721-104/037-000</b>	<b>Spacing 5 mm/0.197 in</b> 0.08 - 0.2 mm <sup>2</sup> <b>1</b> white <b>231-670</b>	
5	<b>722-135</b>	<b>722-235</b>	5	<b>721-105/026-000</b>	<b>721-105/037-000</b>	0.25 - 0.5 mm <sup>2</sup> light grey <b>231-671</b>	
6	<b>722-136</b>	<b>722-236</b>	6	<b>721-106/026-000</b>	<b>721-106/037-000</b>	0.75 - 1 mm <sup>2</sup> dark grey <b>231-672</b>	
:	:	:	:	:	:	<b>Spacing 7.5 mm/0.295 in</b> 0.08 - 0.2 mm <sup>2</sup> <b>1</b> white <b>231-673</b>	
10	<b>722-140</b>	<b>722-240</b>	10	<b>721-110/026-000</b>	<b>721-110/037-000</b>	0.25 - 0.5 mm <sup>2</sup> light grey <b>231-674</b>	
12	<b>722-142</b>	<b>722-242</b>	12	<b>721-112/026-000</b>	<b>721-112/037-000</b>	0.75 - 1 mm <sup>2</sup> dark grey <b>231-675</b>	
14	<b>722-144</b>	<b>722-244</b>	14	<b>721-114/026-000</b>	<b>721-114/037-000</b>	<b>1</b> 0.2 mm <sup>2</sup> "s" (0.14 mm <sup>2</sup> "f-st")	
16	<b>722-146</b>	<b>722-246</b>	16	<b>721-116/026-000</b>	<b>721-116/037-000</b>	<b>Test plug for female connectors,</b>	
20	<b>722-150</b>	<b>722-250</b>	20	<b>721-120/026-000</b>	<b>721-120/037-000</b>	with CAGE CLAMP® pin spacings 5 mm and 5.08 mm <b>231-661</b>	
<b>Pin spacing 7.5 mm/0.295 in</b>			<b>Pin spacing 7.5 mm/0.295 in</b>			pin spacings 7.5 mm and 7.62 mm <b>231-662</b>	
	straight	angled		with locking device		<b>Test plug, with cable 500 mm/1'7.7" long</b> 2 mm Ø <b>210-136</b> red 2.3 mm Ø <b>210-137</b> yellow	
2**	<b>722-732</b>	<b>722-832</b>	2**	<b>721-202/026-000</b>	<b>721-202/037-000</b>	<b>Operating tool, for female connectors and male connectors with CAGE CLAMP®</b> <b>210-250</b>	
3	<b>722-733</b>	<b>722-833</b>	3	<b>721-203/026-000</b>	<b>721-203/037-000</b>	<b>Operating lever, loose,</b> for female connectors and male connectors with CAGE CLAMP® <b>231-131</b>	
4	<b>722-734</b>	<b>722-834</b>	4	<b>721-204/026-000</b>	<b>721-204/037-000</b>		
5	<b>722-735</b>	<b>722-835</b>	5	<b>721-205/026-000</b>	<b>721-205/037-000</b>		
6	<b>722-736</b>	<b>722-836</b>	6	<b>721-206/026-000</b>	<b>721-206/037-000</b>		
7	<b>722-737</b>	<b>722-837</b>	7	<b>721-207/026-000</b>	<b>721-207/037-000</b>		
8	<b>722-738</b>	<b>722-838</b>	8	<b>721-208/026-000</b>	<b>721-208/037-000</b>		
9	<b>722-739</b>	<b>722-839</b>	9	<b>721-209/026-000</b>	<b>721-209/037-000</b>		
10	<b>722-740</b>	<b>722-840</b>	10	<b>721-210/026-000</b>	<b>721-210/037-000</b>		
11	<b>722-741</b>	<b>722-841</b>	11	<b>721-211/026-000</b>	<b>721-211/037-000</b>		
12	<b>722-742</b>	<b>722-842</b>	12	<b>721-212/026-000</b>	<b>721-212/037-000</b>		

**Dimensions (in mm) Diameter of drilled hole: 1.3<sup>+0.1</sup>mm**



\* You can find approvals on the Internet at [www.wago.com](http://www.wago.com). Technical explanations and abbreviations see page 10.2.

# MULTI CONNECTION SYSTEM MIDI – 100% Protected against Mismatching, Female Connectors with CAGE CLAMP®, Pin Spacing 5 mm/0.197 in and 7.5 mm/0.295 in



6  
9

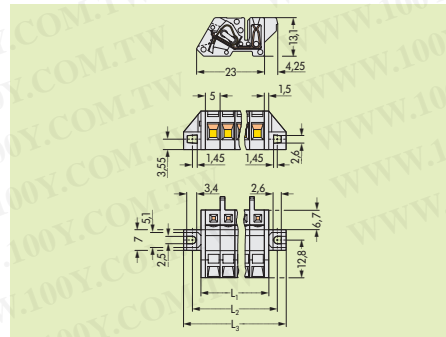
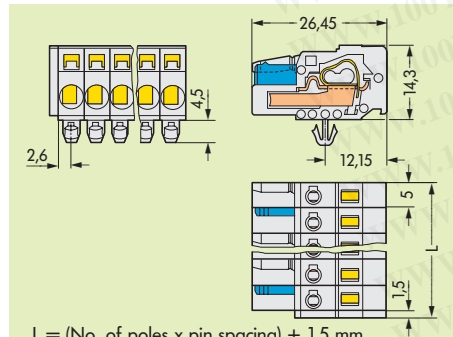
<b>Pin spacing 5 mm/0.197 in, light grey</b> 0.08 – 2.5 mm <sup>2</sup>   AWG 28 – 12 250 V/4 kV/3   300 V, 15 A 12 A   300 V, 15 A	<b>Pin spacing 5 mm/0.197 in, light grey</b> 0.08 – 2.5 mm <sup>2</sup>   AWG 28 – 12 250 V/4 kV/3   300 V, 15 A 12 A   300 V, 15 A	<b>Accessories</b>
<b>Pin spacing 7.5 mm/0.295 in, light grey</b> 400 V/6 kV/3   300 V, 15 A *	<b>Pin spacing 7.5 mm/0.295 in, light grey</b> 400 V/6 kV/3   300 V, 15 A *	



勝特力材料 886-3-5753170  
 勝特力电子(上海) 86-21-34970699  
 勝特力电子(深圳) 86-755-83298787  
[Http://www.100y.com.tw](http://www.100y.com.tw)

No. of poles	Item No.	Item No.	No. of poles	Item No.	Item No.	Accessories, Series 721	Item No.
<b>Female connectors with CAGE CLAMP® and fixing flanges for panel mounting, 100% protected against mismatching, with coding fingers, with two latches, for screw or similar methods of fixing, light grey</b> <b>and snap-in mounting feet, for plate thickness 0.6 mm – 1.2 mm, fixing hole Ø 3.5 mm, (or with mounting adapter 209-137 for DIN 35 rail)</b>			<b>Angled female connectors with CAGE CLAMP® and fixing flanges for panel mounting, 100% protected against mismatching, with two latches, for screw or similar methods of fixing, light grey</b> <b>and snap-in mounting feet, for plate thickness 0.6 mm – 1.2 mm, fixing hole Ø 3.5 mm</b>			<b>Marker strips, 100 self-adhesive strips</b> <b>Spacing 5 mm/0.197 in</b> 1–12 (300x) <b>210-331/0500-0103</b> 13–24 (300x) <b>210-331/0500-0104</b> <b>Spacing 7.5 mm/0.295 in</b> 1–16 (100x) <b>210-331/0750-0202</b>	
<b>Pin spacing 5 mm/0.197 in</b> with fixing flanges      with mounting feet		<b>Pin spacing 5 mm/0.197 in</b> with fixing flanges      with mounting feet				<b>Insulation stop, 5 pcs/strip</b> <b>Spacing 5 mm/0.197 in</b> 0.08–0.2 mm <sup>2</sup> <b>231-670</b> white 0.25–0.5 mm <sup>2</sup> light grey <b>231-671</b> 0.75–1 mm <sup>2</sup> dark grey <b>231-672</b>	
2**	<b>721-102/031-000</b>	<b>721-102/008-000</b>	2	<b>721-302/031-000</b>	<b>721-302/008-000</b>	<b>Spacing 7.5 mm/0.295 in</b> 0.08–0.2 mm <sup>2</sup> <b>231-673</b> white 0.25–0.5 mm <sup>2</sup> light grey <b>231-674</b> 0.75–1 mm <sup>2</sup> dark grey <b>231-675</b>	
3	<b>721-103/031-000</b>	<b>721-103/008-000</b>	3	<b>721-303/031-000</b>	<b>721-303/008-000</b>	<b>① 0.2 mm<sup>2</sup> "s" (0.14 mm<sup>2</sup> "f-st")</b>	
4	<b>721-104/031-000</b>	<b>721-104/008-000</b>	4	<b>721-304/031-000</b>	<b>721-304/008-000</b>	<b>Mounting adapter, for DIN 35 rail,</b> <b>grey 209-137</b> 3 or more poles	
5	<b>721-105/031-000</b>	<b>721-105/008-000</b>	5	<b>721-305/031-000</b>	<b>721-305/008-000</b>	<b>Tapping screw,</b> <b>B 2.2 x 9.5 209-147</b> fixing hole Ø 1.8 mm	
6	<b>721-106/031-000</b>	<b>721-106/008-000</b>	6	<b>721-306/031-000</b>	<b>721-306/008-000</b>	<b>Test plug, with cable 500 mm/1'7.7" long</b> <b>2 mm Ø 210-136 red</b> <b>2.3 mm Ø 210-137 yellow</b>	
:	:	:	:	:	:	<b>Countersunk screw, M 2 x 12</b> not offered by WAGO	
10	<b>721-110/031-000</b>	<b>721-110/008-000</b>	10	<b>721-310/031-000</b>	<b>721-310/008-000</b>	<b>Screwdriver, with partially insulated shaft (3.5 x 0.5) mm</b> <b>210-620</b>	
12	<b>721-112/031-000</b>	<b>721-112/008-000</b>	12	<b>721-312/031-000</b>	<b>721-312/008-000</b>		
14	<b>721-114/031-000</b>	<b>721-114/008-000</b>	14	<b>721-314/031-000</b>	<b>721-314/008-000</b>		
16	<b>721-116/031-000</b>	<b>721-116/008-000</b>	16	<b>721-316/031-000</b>	<b>721-316/008-000</b>		
20	<b>721-120/031-000</b>	<b>721-120/008-000</b>	20	<b>721-320/031-000</b>	<b>721-320/008-000</b>		
<b>Pin spacing 7.5 mm/0.295 in</b> with fixing flanges      with mounting feet		<b>Pin spacing 7.5 mm/0.295 in</b> with fixing flanges      with mounting feet					
2**	<b>721-202/031-000</b>	<b>721-202/008-000</b>	2	<b>721-332/031-000</b>	<b>721-332/008-000</b>		
3	<b>721-203/031-000</b>	<b>721-203/008-000</b>	3	<b>721-333/031-000</b>	<b>721-333/008-000</b>		
4	<b>721-204/031-000</b>	<b>721-204/008-000</b>	4	<b>721-334/031-000</b>	<b>721-334/008-000</b>		
5	<b>721-205/031-000</b>	<b>721-205/008-000</b>	5	<b>721-335/031-000</b>	<b>721-335/008-000</b>		
6	<b>721-206/031-000</b>	<b>721-206/008-000</b>	6	<b>721-336/031-000</b>	<b>721-336/008-000</b>		
:	:	:	:	:	:		
11	<b>721-211/031-000</b>	<b>721-211/008-000</b>	11	<b>721-341/031-000</b>	<b>721-341/008-000</b>		
12	<b>721-212/031-000</b>	<b>721-212/008-000</b>	12	<b>721-342/031-000</b>	<b>721-342/008-000</b>		

**Dimensions** L<sub>1</sub> = (No. of poles x pin spacing) + 3 mm    L<sub>2</sub> = (No. of poles x pin spacing) + 8.8 mm  
 L<sub>3</sub> = (No. of poles x pin spacing) + 14.8 mm



Please find the entire product range in our General Catalogue W4, Volume 2. More information at [www.wago.com](http://www.wago.com).



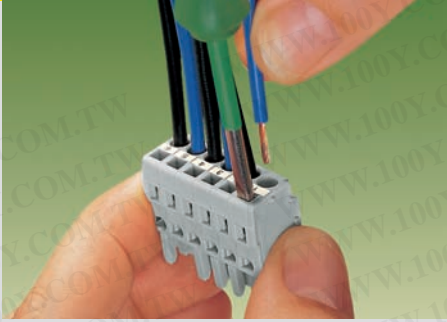
6

# MULTI CONNECTION SYSTEM MIDI

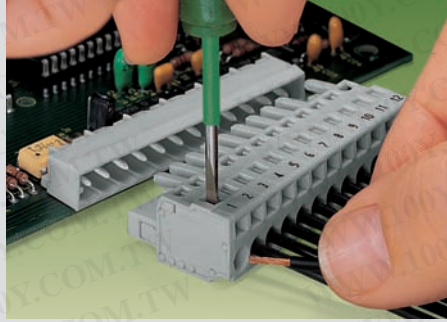
## Description and Handling

### CAGE CLAMP® connection

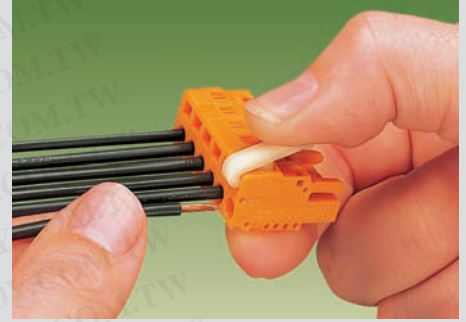
勝特力材料 886-3-5753170  
 勝特力电子(上海) 86-21-34970699  
 勝特力电子(深圳) 86-755-83298787  
[Http://www.100y.com.tw](http://www.100y.com.tw)



Connection of conductors – front-entry

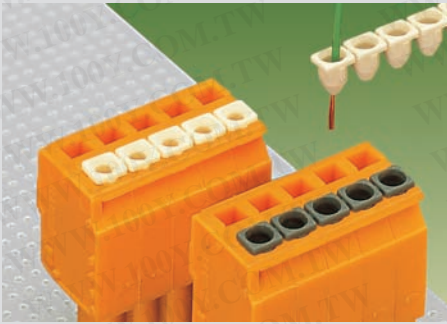


Connection of conductors – side-entry

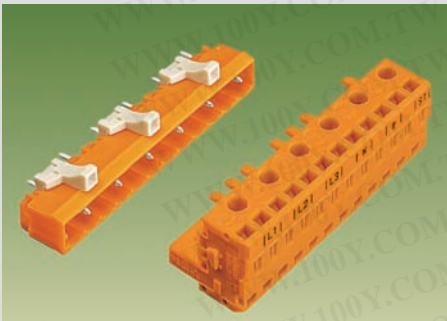


Connection of conductors – side-entry wiring with snap-on lever. Item No. 231-131

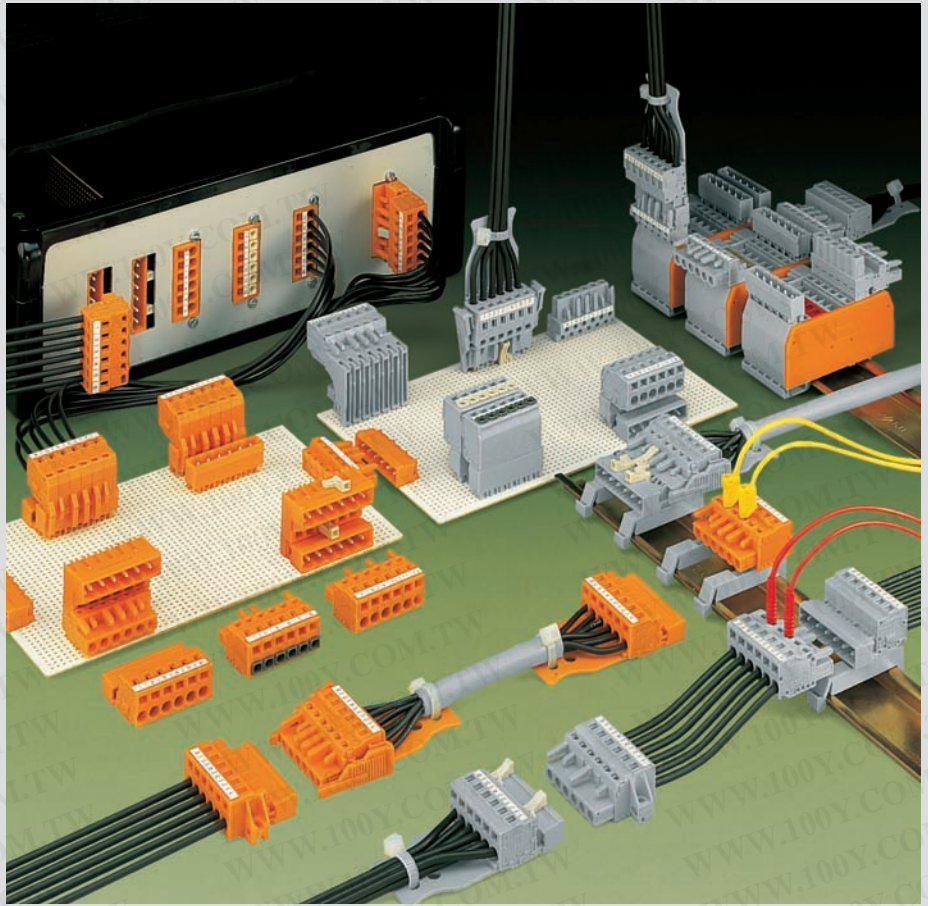
### Insulation stop



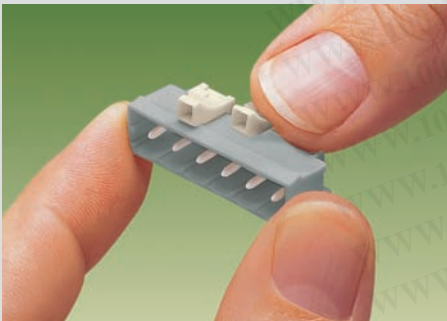
Pin spacings 10 mm/0.394 in and 10.16 mm/0.4 in



Here shown with 10.16 mm/0.4 in spacing, contact factory



### Coding

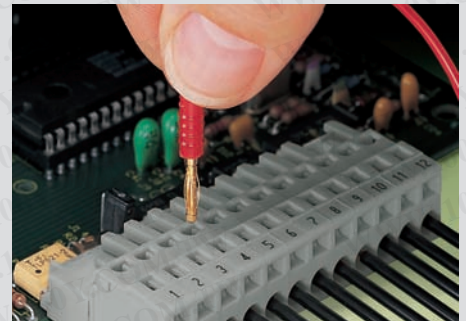


Coding of a header – fitting of coding key(s)



Coding of a female connector – removal of coding finger(s)

### Testing

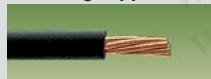


Testing with test plug 2 mm/0.079 in Ø or 2.3 mm/0.091 in Ø

CAGE CLAMP® clamps the following copper wires:



solid



stranded



fine-stranded



tip bonded



with crimped ferrule



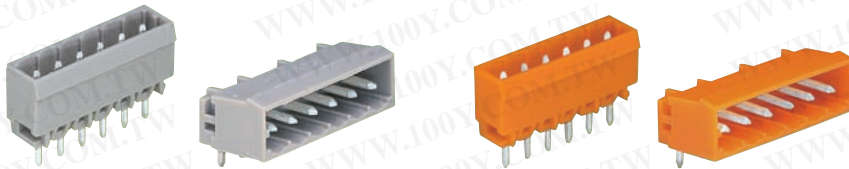
with crimped pin terminal

# MULTI CONNECTION SYSTEM **MIDI**

## Headers with Solder Pins,

Pin Spacings 5 mm/0.197 in; 5.08 mm/0.2 in; 7.5 mm/0.295 in and 7.62 mm/0.3 in

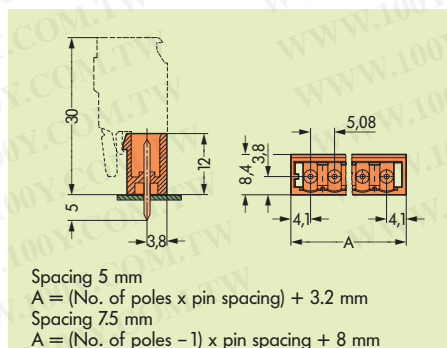
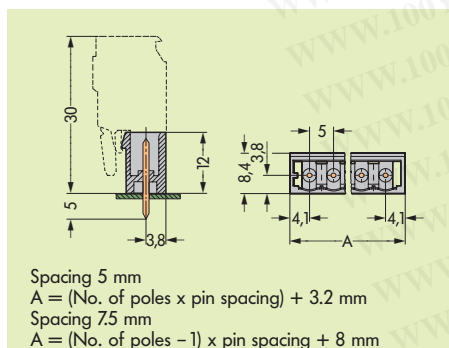
<b>Pin spacing 5 mm/0.197 in, grey</b> 250 V/4 kV/3   300 V, 10 A 12 A <b>Pin spacing 7.5 mm/0.295 in, grey</b> 400 V/6 kV/3   300 V, 10 A 12 A *	<b>Pin spacing 5.08 mm/0.2 in, orange</b> 250 V/4 kV/3   300 V, 10 A 12 A <b>Pin spacing 7.62 mm/0.3 in, orange</b> 400 V/6 kV/3   300 V, 10 A 12 A *	<b>Accessories</b>
---	---	--------------------



勝特力材料 886-3-5753170  
 勝特力电子(上海) 86-21-34970699  
 勝特力电子(深圳) 86-755-83298787  
[Http://www.100y.com.tw](http://www.100y.com.tw)

No. of poles	Item No.	Item No.	No. of poles	Item No.	Item No.	Accessories, Series 231	Item No.
Headers with solder pins, grey solder pin 1 mm x 1 mm			Headers with solder pins, orange, solder pin 1 mm x 1 mm			Coding key, snap-on type,	
<b>Pin spacing 5 mm</b> straight                      angled			<b>Pin spacing 5.08 mm</b> straight                      angled			<b>Spacings 5 mm and 5.08 mm</b> light grey <b>231-129</b>	
2	231-132/001-000	231-432/001-000	2	231-332/001-000	231-532/001-000	<b>Spacings 7.5 mm and 7.62 mm</b> light grey <b>231-130</b>	
3	231-133/001-000	231-433/001-000	3	231-333/001-000	231-533/001-000	Fixing element, horizontal	
4	231-134/001-000	231-434/001-000	4	231-334/001-000	231-534/001-000	<b>Spacings 5 mm and 7.5 mm</b> grey <b>231-193</b>	
:	:	:	:	:	:	Fixing element, horizontal	
12	231-142/001-000	231-442/001-000	12	231-342/001-000	231-542/001-000	<b>Spac. 5.08 mm and 7.62 mm</b> orange <b>231-393</b>	
:	:	:	:	:	:	Tapping screw,	
21	231-151/001-000	231-451/001-000	21	231-351/001-000	231-551/001-000	B 2.2 x 13 <b>231-194</b> fixing hole Ø 1.8 mm	
22	231-152/001-000	231-452/001-000	22	231-352/001-000	231-552/001-000	Screw with nut,	
23	231-153/001-000	231-453/001-000	23	231-353/001-000	231-553/001-000	M 2 x 12 <b>231-195</b> for fixing element	
24	231-154/001-000	231-454/001-000	24	231-354/001-000	231-554/001-000	Separator, for formation of groups,	
<b>Pin spacing 7.5 mm</b> straight                      angled			<b>Pin spacing 7.62 mm</b> straight                      angled			light grey <b>231-500</b>	
2	231-232/001-000	231-832/001-000	2	231-732/001-000	231-932/001-000		
3	231-233/001-000	231-833/001-000	3	231-733/001-000	231-933/001-000		
4	231-234/001-000	231-834/001-000	4	231-734/001-000	231-934/001-000		
5	231-235/001-000	231-835/001-000	5	231-735/001-000	231-935/001-000		
6	231-236/001-000	231-836/001-000	6	231-736/001-000	231-936/001-000		
7	231-237/001-000	231-837/001-000	7	231-737/001-000	231-937/001-000		
8	231-238/001-000	231-838/001-000	8	231-738/001-000	231-938/001-000		
9	231-239/001-000	231-839/001-000	9	231-739/001-000	231-939/001-000		
10	231-240/001-000	231-840/001-000	10	231-740/001-000	231-940/001-000		
11	231-241/001-000	231-841/001-000	11	231-741/001-000	231-941/001-000		
12	231-242/001-000	231-842/001-000	12	231-742/001-000	231-942/001-000		
13	231-243/001-000	231-843/001-000					
16	231-246/001-000	231-846/001-000					

**Dimensions (in mm)** Diameter of drilled hole: 1.4<sup>+0.1</sup> mm (solder pin 1 mm x 1 mm)







\* You can find approvals on the Internet at [www.wago.com](http://www.wago.com).

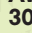
Technical explanations and abbreviations see page 10.2.

MULTI CONNECTION SYSTEM **MIDI**Male Connectors with **CAGE CLAMP®**,

Pin Spacings 5 mm/0.197 in; 5.08 mm/0.2 in; 7.5 mm/0.295 in; 7.62 mm/0.3 in

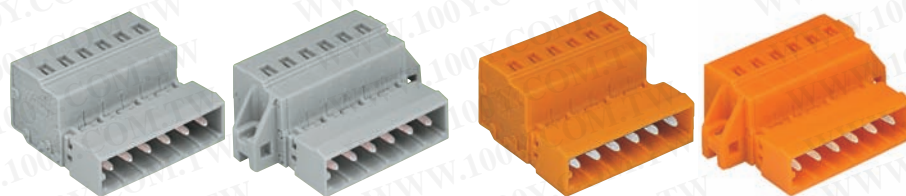
Pin spacing 5 mm/0.197 in, grey  
0.08 – 2.5 mm<sup>2</sup> | AWG 28 – 12  
250 V/4 kV/3 | 300 V, 15 A   
12 A

Pin spacing 7.5 mm/0.295 in, grey  
400 V/6 kV/3 | 300 V, 15 A   
\*  GL BV LR 

Pin spacing 5.08 mm/0.2 in, orange  
0.08 – 2.5 mm<sup>2</sup> | AWG 28 – 12  
250 V/4 kV/3 | 300 V, 15 A   
12 A

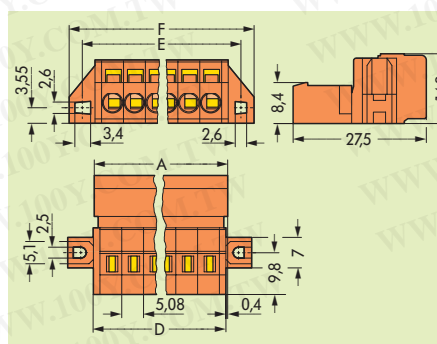
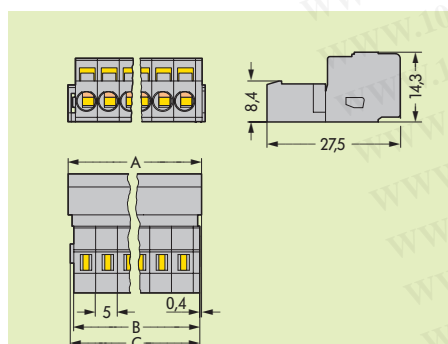
Pin spacing 7.62 mm/0.3 in, orange  
400 V/6 kV/3 | 300 V, 15 A   
\*  GL BV LR 

## Accessories



勝特力材料 886-3-5753170  
勝特力电子(上海) 86-21-34970699  
勝特力电子(深圳) 86-755-83298787  
[Http://www.100y.com.tw](http://www.100y.com.tw)

No. of poles	Item No.	Item No.	No. of poles	Item No.	Item No.	Accessories, Series 231 and 731	Item No.
Male connectors with CAGE CLAMP®, grey, and fixing flanges, for screw fixing or similar methods, for vertical or horizontal fixing			Male connectors with CAGE CLAMP®, orange, and fixing flanges, for screw fixing or similar methods, for vertical or horizontal fixing			Marker strips, 100 self-adhesive strips	
Pin spacing 5 mm with fixing flanges			Pin spacing 5.08 mm with fixing flanges			Spacing 5 mm	
2	231-602	231-602/019-000	2	231-632	231-632/019-000	1-12 (300x)	210-331/0500-0103
3	231-603	231-602/019-000	3	231-633	231-632/019-000	13-24 (300x)	210-331/0500-0104
4	231-604	231-602/019-000	4	231-634	231-632/019-000	Spacing 5.08 mm	
:	:	:	:	:	:	1-12 (200x)	210-331/0508-0103
12	231-612	231-602/019-000	12	231-642	231-642/019-000	13-24 (200x)	210-331/0508-0104
:	:	:	:	:	:	Spacing 7.5 mm	
21	231-621	231-602/019-000	21	231-651	231-651/019-000	1-16 (100x)	210-331/0750-0202
22	231-622	231-602/019-000	22	231-652	231-652/019-000	Spacing 7.62 mm	
23	231-623	231-602/019-000	23	231-653	231-653/019-000	1-16 (100x)	210-331/0762-0202
24	231-624	231-602/019-000	24	231-654	231-654/019-000	Coding key, snap-on type,	
Pin spacing 7.5 mm with fixing flanges			Pin spacing 7.62 mm with fixing flanges			Spacings 5 mm and 5.08 mm light grey 231-129	
2	731-602	731-602/019-000	2	731-632	731-632/019-000	Spacings 7.5 mm and 7.62 mm light grey 231-130	
3	731-603	731-603/019-000	3	731-633	731-633/019-000	Insulation stop, 5 pcs/strip	
4	731-604	731-604/019-000	4	731-634	731-634/019-000	Spacings 5 mm and 5.08 mm	
5	731-605	731-605/019-000	5	731-635	731-635/019-000	0.08-0.2 mm <sup>2</sup> ①	
6	731-606	731-606/019-000	6	731-636	731-636/019-000	white	231-670
7	731-607	731-607/019-000	7	731-637	731-637/019-000	0.25-0.5 mm <sup>2</sup>	
8	731-608	731-608/019-000	8	731-638	731-638/019-000	light grey	231-671
9	731-609	731-609/019-000	9	731-639	731-639/019-000	0.75-1 mm <sup>2</sup>	
10	731-610	731-610/019-000	10	731-640	731-640/019-000	dark grey	231-672
11	731-611	731-611/019-000	11	731-641	731-641/019-000	Spacings 7.5 mm and 7.62 mm	
12	731-612	731-612/019-000	12	731-642	731-642/019-000	0.08-0.2 mm <sup>2</sup> ①	
13	731-613	731-613/019-000				white	231-673
16	731-616	731-616/019-000				0.25-0.5 mm <sup>2</sup>	
Dimensions (in mm) A = (No. of poles x pin spacing) + 3.2 mm B = A - 1.7 mm C = A - 1.2 mm						light grey 231-674	
						0.75-1 mm <sup>2</sup>	
						dark grey 231-675	

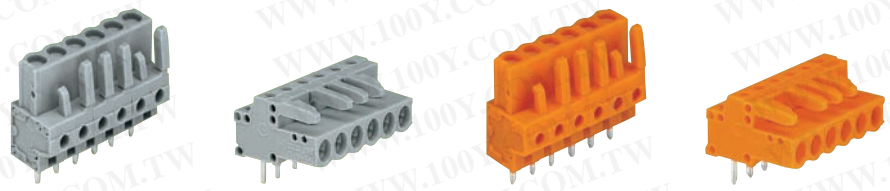


\* You can find approvals on the Internet at [www.wago.com](http://www.wago.com).  
Technical explanations and abbreviations see page 10.2.

# MULTI CONNECTION SYSTEM **MIDI**

## Female Connectors with Solder Pins, Pin Spacings 5 mm/0.197 in; 5.08 mm/0.2 in; 7.5 mm/0.295 in; 7.62 mm/0.3 in

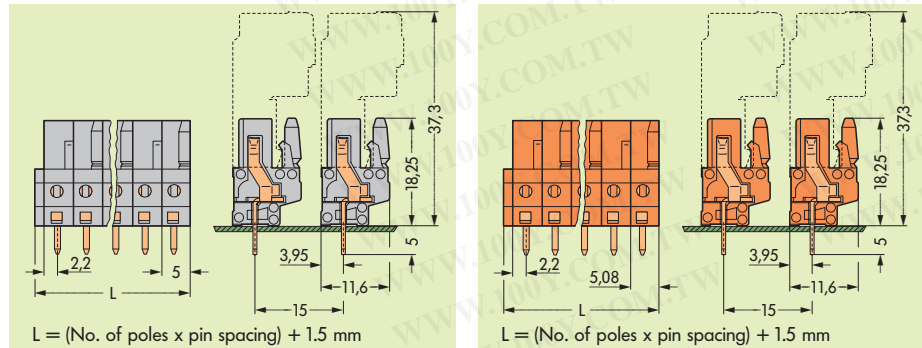
<b>Pin spacing 5 mm/0.197 in, grey</b> 250 V/4 kV/3   300 V, 15 A 12 A <b>Pin spacing 7.5 mm/0.295 in, grey</b> 400 V/6 kV/3   300 V, 15 A 12 A *	<b>Pin spacing 5.08 mm/0.2 in, orange</b> 250 V/4 kV/3   300 V, 15 A 12 A <b>Pin spacing 7.62 mm/0.3 in, orange</b> 400 V/6 kV/3   300 V, 15 A 12 A *	<b>Accessories</b>
---	---	--------------------



勝特力材料 886-3-5753170  
 勝特力电子(上海) 86-21-34970699  
 勝特力电子(深圳) 86-755-83298787  
[Http://www.100y.com.tw](http://www.100y.com.tw)

No. of poles	Item No.	Item No.	No. of poles	Item No.	Item No.	Accessories, Series 232	Item No.
Female connectors with solder pins, with coding fingers, with two latches, grey, solder pin 0.6 mm x 1 mm			Female connectors with solder pins, with coding fingers, with two latches, orange, solder pin 0.6 mm x 1 mm			Marker strips, 100 self-adhesive strips	
<b>Pin spacing 5 mm</b>			<b>Pin spacing 5.08 mm</b>			<b>Spacing 5 mm</b>	
	straight	angled		straight	angled	1-12 (300x) <b>210-331/0500-0103</b>	
2**	<b>232-132</b>	<b>232-232</b>	2**	<b>232-162</b>	<b>232-262</b>	13-24 (300x) <b>210-331/0500-0104</b>	
3**	<b>232-133</b>	<b>232-233</b>	3**	<b>232-1333</b>	<b>232-263</b>	<b>Spacing 5.08 mm</b>	
4	<b>232-134</b>	<b>232-234</b>	4	<b>232-164</b>	<b>232-264</b>	1-12 (200x) <b>210-331/0508-0103</b>	
5	<b>232-135</b>	<b>232-235</b>	5	<b>232-165</b>	<b>232-265</b>	13-24 (200x) <b>210-331/0508-0104</b>	
:	:	:	:	:	:	<b>Spacing 7.5 mm</b>	
12	<b>232-142</b>	<b>232-242</b>	12	<b>232-172</b>	<b>232-272</b>	1-16 (100x) <b>210-331/0750-0202</b>	
:	:	:	:	:	:	<b>Spacing 7.62 mm</b>	
21	<b>232-151</b>	<b>232-251</b>	21	<b>232-181</b>	<b>232-281</b>	1-16 (100x) <b>210-331/0762-0202</b>	
22	<b>232-152</b>	<b>232-252</b>	22	<b>232-182</b>	<b>232-282</b>	<b>Test plug, with cable 500 mm/1'7.7" long,</b>	
23	<b>232-153</b>	<b>232-253</b>	23	<b>232-183</b>	<b>232-283</b>	2 mm Ø <b>210-136</b> red	
24	<b>232-154</b>	<b>232-254</b>	24	<b>232-184</b>	<b>232-284</b>	2.3 mm Ø <b>210-137</b> yellow	
<b>Pin spacing 7.5 mm</b>			<b>Pin spacing 7.62 mm</b>				
	straight	angled		straight	angled		
2**	<b>232-732</b>	<b>232-832</b>	2**	<b>232-762</b>	<b>232-862</b>		
3**	<b>232-733</b>	<b>232-833</b>	3**	<b>232-763</b>	<b>232-863</b>		
4	<b>232-734</b>	<b>232-834</b>	4	<b>232-764</b>	<b>232-864</b>		
5	<b>232-735</b>	<b>232-835</b>	5	<b>232-765</b>	<b>232-865</b>		
6	<b>232-736</b>	<b>232-836</b>	6	<b>232-766</b>	<b>232-866</b>		
7	<b>232-737</b>	<b>232-837</b>	7	<b>232-767</b>	<b>232-867</b>		
8	<b>232-738</b>	<b>232-838</b>	8	<b>232-768</b>	<b>232-868</b>		
9	<b>232-739</b>	<b>232-839</b>	9	<b>232-769</b>	<b>232-869</b>		
10	<b>232-740</b>	<b>232-840</b>	10	<b>232-770</b>	<b>232-870</b>		
11	<b>232-741</b>	<b>232-841</b>	11	<b>232-711</b>	<b>232-871</b>		
12	<b>232-742</b>	<b>232-842</b>	12	<b>232-772</b>	<b>232-872</b>		
13	<b>232-743</b>	<b>232-843</b>					
16	<b>232-746</b>	<b>232-846</b>					
**one latch only			**one latch only				

**Dimensions (in mm)**



Please find the entire product range in our General Catalogue W4, Volume 2. More informations at [www.wago.com](http://www.wago.com).



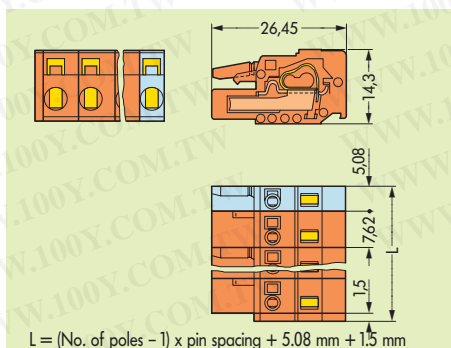
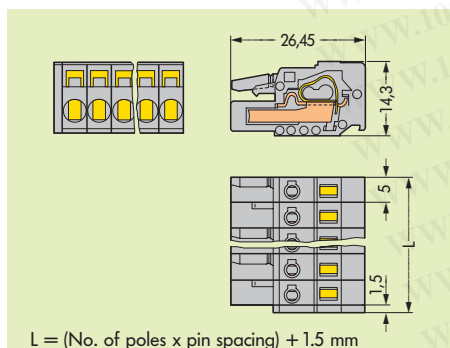
# MULTI CONNECTION SYSTEM **MIDI** Female Connectors with **CAGE CLAMP®**, Pin Spacings 5 mm/0.197 in; 5.08 mm/0.2 in; 7.5 mm/0.295 in; 7.62 mm/0.3 in

<p><b>Pin spacing 5 mm/0.197 in, grey</b> 0.08 – 2.5 mm<sup>2</sup>   AWG 28 – 12 250 V/4 kV/3   300 V, 15 A </p> <p><b>Pin spacing 7.5 mm/0.295 in, grey</b> 400 V/6 kV/3   300 V, 15 A </p>	<p><b>Pin spacing 5.08 mm/0.2 in, orange</b> 0.08 – 2.5 mm<sup>2</sup>   AWG 28 – 12 250 V/4 kV/3   300 V, 15 A </p> <p><b>Pin spacing 7.62 mm/0.3 in, orange</b> 400 V/6 kV/3   300 V, 15 A </p>	<p><b>Accessories</b></p>
---	---	---------------------------



勝特力材料 886-3-5753170  
勝特力电子(上海) 86-21-34970699  
勝特力电子(深圳) 86-755-83298787  
[Http://www.100y.com.tw](http://www.100y.com.tw)

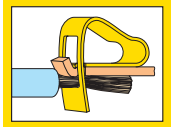
No. of poles	Item No.	Item No.	No. of poles	Item No.	Item No.	Accessories, Series 231	Item No.
Female connectors with <b>CAGE CLAMP®</b> , with coding fingers, with two latches, grey		Female connectors with <b>CAGE CLAMP®</b> , with coding fingers, with two latches, orange		Marker strips, 100 self-adhesive strips		Spacing 5 mm	
<b>Pin spacing 5 mm</b>		<b>Pin spacing 5.08 mm</b>				1-12 (300x) 210-331/0500-0103	
with locking device		with locking device				13-24 (300x) 210-331/0500-0104	
2**	231-102/026-000	231-102/037-000	2**	231-302/026-000	231-302/037-000	Spacing 5.08 mm	
3**	231-103/026-000	231-103/037-000	3**	231-303/026-000	231-303/037-000	1-12 (200x) 210-331/0508-0103	
4	231-104/026-000	231-104/037-000	4	231-304/026-000	231-304/037-000	13-24 (200x) 210-331/0508-0104	
5	231-105/026-000	231-105/037-000	5	231-305/026-000	231-305/037-000	Spacing 7.5 mm	
:	:	:	:	:	:	1-16 (100x) 210-331/0750-0202	
12	231-112/026-000	231-112/037-000	12	231-312/026-000	231-312/037-000	Spacing 7.62 mm	
:	:	:	:	:	:	1-16 (100x) 210-331/0762-0202	
21	231-121/026-000	231-121/037-000	21	231-321/026-000	231-321/037-000	Insulation stop, 5 pcs/strip	
22	231-122/026-000	231-122/037-000	22	231-322/026-000	231-322/037-000	Spacing 5 mm and 5.08 mm	
23	231-123/026-000	231-123/037-000	23	231-323/026-000	231-323/037-000	0.08 - 0.2 mm <sup>2</sup> ①	
24	231-124/026-000	231-124/037-000	24	231-324/026-000	231-324/037-000	white 231-670	
<b>Pin spacing 7.5 mm</b>		<b>Pin spacing 7.62 mm</b>				0.25 - 0.5 mm <sup>2</sup>	
with locking device		with locking device				light grey 231-671	
2**	231-202/026-000	231-202/037-000	2**	231-702/026-000	231-702/037-000	0.75 - 1 mm <sup>2</sup>	
3**	231-203/026-000	231-203/037-000	3**	231-703/026-000	231-703/037-000	dark grey 231-672	
4	231-204/026-000	231-204/037-000	4	231-704/026-000	231-704/037-000	Spacing 7.5 mm and 7.62 mm	
5	231-205/026-000	231-205/037-000	5	231-705/026-000	231-705/037-000	0.08 - 0.2 mm <sup>2</sup> ①	
6	231-206/026-000	231-206/037-000	6	231-706/026-000	231-706/037-000	white 231-673	
7	231-207/026-000	231-207/037-000	7	231-707/026-000	231-707/037-000	0.25 - 0.5 mm <sup>2</sup>	
8	231-208/026-000	231-208/037-000	8	231-708/026-000	231-708/037-000	light grey 231-674	
9	231-209/026-000	231-209/037-000	9	231-709/026-000	231-709/037-000	0.75 - 1 mm <sup>2</sup>	
10	231-210/026-000	231-210/037-000	10	231-710/026-000	231-710/037-000	dark grey 231-675	
11	231-211/026-000	231-211/037-000	11	231-711/026-000	231-711/037-000	① 0.2 mm <sup>2</sup> "s" (0.14 mm <sup>2</sup> "f-st")	
12	231-212/026-000	231-212/037-000	12	231-712/026-000	231-712/037-000	Test plug, with cable 500 mm/1.77" long,	
13	231-213/026-000	231-213/037-000				2 mm Ø 210-136 red	
16	231-216/026-000	231-216/037-000				2.3 mm Ø 210-137 yellow	
**one latch only		**one latch only				Screwdriver, with partially insulated shaft (3.5x0.5) mm 210-620	
<b>Dimensions (in mm)</b>						Operating tool, for female and male connectors with CAGE CLAMP® 210-250	



\* You can find approvals on the Internet at [www.wago.com](http://www.wago.com).  
Technical explanations and abbreviations see page 10.2.

# MULTI CONNECTION SYSTEM **MIDI**

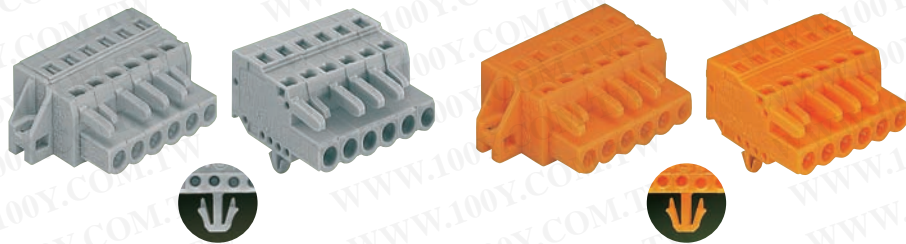
## Female Connectors with **CAGE CLAMP®** and Snap-In Mounting Feet Pin Spacings 5 mm/0.197 in; 5.08 mm/0.2 in; 7.5 mm/0.295 in; 7.62 mm/0.3 in



6

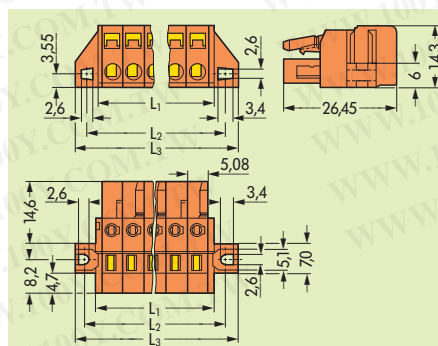
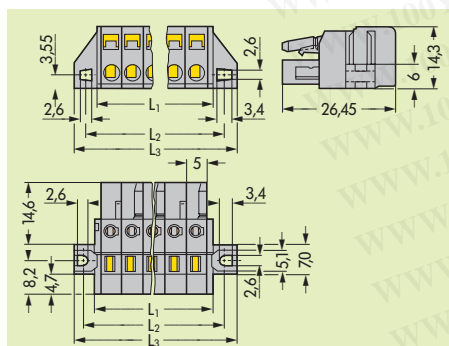
15

<p><b>Pin spacing 5 mm/0.197 in, grey</b> 0.08 – 2.5 mm<sup>2</sup>   AWG 28 – 12 250 V/4 kV/3   300 V, 15 A </p> <p><b>Pin spacing 7.5 mm/0.295 in, grey</b> 400 V/6 kV/3   300 V, 15 A </p> <p>* </p>	<p><b>Pin spacing 5.08 mm/0.2 in, orange</b> 0.08 – 2.5 mm<sup>2</sup>   AWG 28 – 12 250 V/4 kV/3   300 V, 15 A </p> <p><b>Pin spacing 7.62 mm/0.3 in, orange</b> 400 V/6 kV/3   300 V, 15 A </p> <p>* </p>	<p><b>Accessories</b></p>
---	---	---------------------------



勝特力材料 886-3-5753170  
勝特力电子(上海) 86-21-34970699  
勝特力电子(深圳) 86-755-83298787  
[Http://www.100y.com.tw](http://www.100y.com.tw)

No. of poles	Item No.	Item No.	No. of poles	Item No.	Item No.	Accessories, Series 231	Item No.
<b>Female connectors with CAGE CLAMP® and fixing flanges, for panel mounting, with coding fingers, with two latches, for screw fixing or similar methods, grey</b>			<b>Female connectors with CAGE CLAMP® and fixing flanges, for panel mounting, with coding fingers, with two latches, for screw fixing or similar methods, orange</b>			<b>Marker strips, 100 self-adhesive strips</b>	
<b>and snap-in mounting feet, for plate thickness 0.6 mm – 1.2 mm, fixing hole Ø 3.5 mm, (or with mounting adapter 209-137 for DIN 35 rail)</b>			<b>and snap-in mounting feet, for plate thickness 0.6 mm – 1.2 mm, fixing hole Ø 3.5 mm, (or with mounting adapter 209-137 for DIN 35 rail)</b>			<b>Spacing 5 mm</b> 1-12 (300x) <b>210-331/0500-0103</b> 13-24 (300x) <b>210-331/0500-0104</b>	
<b>Pin spacing 5 mm</b> with fixing flanges      with mounting feet		<b>Pin spacing 5.08 mm</b> with fixing flanges      with mounting feet		<b>Pin spacing 7.5 mm</b> with fixing flanges      with mounting feet		<b>Spacing 5.08 mm</b> 1-12 (200x) <b>210-331/0508-0103</b> 13-24 (200x) <b>210-331/0508-0104</b>	
2**	<b>231-102/031-000</b>	<b>231-102/008-000</b>	2**	<b>231-302/031-000</b>	<b>231-302/008-000</b>	1-16 (100x)	<b>210-331/0750-0202</b>
3**	<b>231-103/031-000</b>	<b>231-103/008-000</b>	3**	<b>231-303/031-000</b>	<b>231-303/008-000</b>	<b>Spacing 7.62 mm</b> 1-16 (100x) <b>210-331/0762-0202</b>	
4	<b>231-104/031-000</b>	<b>231-104/008-000</b>	4	<b>231-304/031-000</b>	<b>231-304/008-000</b>	<b>Insulation stop, 5 pcs/strip</b>	
5	<b>231-105/031-000</b>	<b>231-105/008-000</b>	5	<b>231-305/031-000</b>	<b>231-305/008-000</b>	<b>Spacing 5 mm and 5.08 mm</b> 0.08 - 0.2 mm <sup>2</sup> ① white <b>231-670</b> 0.25 - 0.5 mm <sup>2</sup> light grey <b>231-671</b> 0.75 - 1 mm <sup>2</sup> dark grey <b>231-672</b>	
:	:	:	:	:	:	<b>Spacing 7.5 mm and 7.62 mm</b> 0.08 - 0.2 mm <sup>2</sup> ① white <b>231-673</b> 0.25 - 0.5 mm <sup>2</sup> light grey <b>231-674</b> 0.75 - 1 mm <sup>2</sup> dark grey <b>231-675</b>	
12	<b>231-112/031-000</b>	<b>231-112/008-000</b>	12	<b>231-312/031-000</b>	<b>231-312/008-000</b>	<b>① 0.2 mm<sup>2</sup>"s" (0.14 mm<sup>2</sup>"f-st")</b>	
:	:	:	:	:	:	<b>Test plug, with cable 500 mm/1'7.7" long,</b> 2 mm Ø <b>210-136</b> red 2.3 mm Ø <b>210-137</b> yellow	
22	<b>231-122/031-000</b>	<b>231-122/008-000</b>	22	<b>231-322/031-000</b>	<b>231-322/008-000</b>	<b>Mounting adapter, for DIN 35 rail,</b> grey <b>209-137</b> 3 or more poles	
23	<b>231-123/031-000</b>	<b>231-123/008-000</b>	23	<b>231-323/031-000</b>	<b>231-323/008-000</b>	<b>Tapping screw,</b> B 2.2 x 9.5 <b>209-147</b> fixing hole Ø 1.8 mm	
24	<b>231-124/031-000</b>	<b>231-124/008-000</b>	24	<b>231-324/031-000</b>	<b>231-324/008-000</b>		
<b>Pin spacing 7.5 mm</b> with fixing flanges      with mounting feet		<b>Pin spacing 7.62 mm</b> with fixing flanges      with mounting feet					
2**		<b>231-202/008-000</b>	2**	<b>231-702/031-000</b>	<b>231-702/008-000</b>		
3**	<b>231-203/031-000</b>	<b>231-203/008-000</b>	3**	<b>231-703/031-000</b>	<b>231-703/008-000</b>		
4	<b>231-204/031-000</b>	<b>231-204/008-000</b>	4	<b>231-704/031-000</b>	<b>231-704/008-000</b>		
5	<b>231-205/031-000</b>	<b>231-205/008-000</b>	5	<b>231-705/031-000</b>	<b>231-705/008-000</b>		
6	<b>231-206/031-000</b>	<b>231-206/008-000</b>	6	<b>231-706/031-000</b>	<b>231-706/008-000</b>		
7	<b>231-207/031-000</b>	<b>231-207/008-000</b>	7	<b>231-707/031-000</b>	<b>231-707/008-000</b>		
8	<b>231-208/031-000</b>	<b>231-208/008-000</b>	8	<b>231-708/031-000</b>	<b>231-708/008-000</b>		
:	:	:	:	:	:		
16	<b>231-216/031-000</b>	<b>231-216/008-000</b>	12	<b>231-712/031-000</b>	<b>231-712/008-000</b>		
**one latch only			**one latch only				
<b>Dimensions</b> L <sub>1</sub> = (No. of poles x pin spacing) + 3 mm    L <sub>2</sub> = (No. of poles x pin spacing) + 8.8 mm L <sub>3</sub> = (No. of poles x pin spacing) + 14.8 mm							



Please find the entire product range in our General Catalogue W4, Volume 2. More information at [www.wago.com](http://www.wago.com).



6



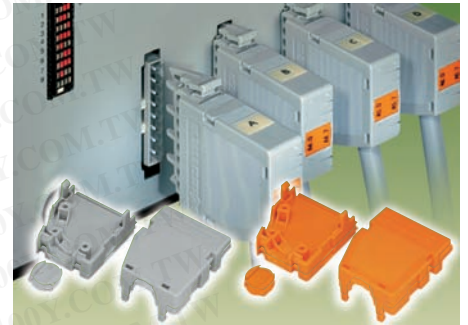
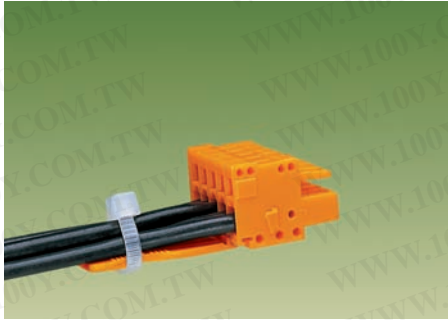
# MULTI CONNECTION SYSTEM **MINI** and **MIDI** Strain Relief Plates and Snap-on Type Strain Relief Housings for Series 734, Pin Spacings 5 mm/0.197 in; 5.08 mm/0.2 in; 7.5 mm/0.295 in; 7.62 mm/0.3 in

Strain relief plates suitable for  
– Female connectors with CAGE CLAMP®  
– Male connectors with CAGE CLAMP®

MULTI CONNECTION SYSTEM **MINI**  
Series 734

MULTI CONNECTION SYSTEM **MIDI**  
Series 231, 721 and 731

Snap-on type strain relief housings suitable for  
– straight and angled female connectors with CAGE CLAMP®  
– male connectors with CAGE CLAMP®



Width	Additional Item No.	Width	Additional Item No.	No. of poles	Item No.	Item No.
<b>Strain relief plate, assembled suitable for series 734</b>		<b>Strain relief plate, assembled suitable for series 231, 721 and 731</b>		<b>Snap-on type strain relief housings, consisting of: strain relief support and strain relief housing, suitable for series 734</b>		
6 mm	.../032-000	11.5 mm	.../032-000		Spacing 3.5 mm grey	Spacing 3.81 mm orange
12.5 mm	.../033-000	20 mm	.../033-000	2	<b>734-602*</b>	<b>734-632*</b>
25 mm	.../034-000	30 mm	.../034-000	3	<b>734-603*</b>	<b>734-633*</b>
35 mm	.../035-000	50 mm	.../035-000	:	:	:
Ordering examples: Female connector, pin spacing 3.81 mm, orange, 5 poles, with strain relief plate <b>734-205/033-000</b>		Ordering examples: Male connector, pin spacing 5 mm, light grey, 8 poles with strain relief plate <b>721-608/034-000</b>		6	<b>734-606</b>	<b>734-636</b>
				7	<b>734-607</b>	–
				8	<b>734-608</b>	<b>734-638</b>
				9	<b>734-609</b>	<b>734-639</b>
				10	<b>734-610</b>	<b>734-640</b>
				12	<b>734-612</b>	<b>734-642</b>
				<b>series 231 and 721</b>		
					Spacing 5 mm	Spacing 5.08 mm
				2	<b>232-602</b>	<b>232-632</b>
				3	<b>232-603</b>	<b>232-633</b>
				:	:	:
				6	<b>232-606</b>	<b>232-636</b>
				7	<b>232-607</b>	–
				8	<b>232-608</b>	<b>232-638</b>
				9	<b>232-609</b>	<b>232-639</b>
				10	<b>232-610</b>	<b>232-640</b>
				12	<b>232-612</b>	<b>232-642</b>
				<b>series 231, 721 and 731</b>		
					Spacing 7.5 mm	Spacing 7.62 mm
				2	<b>232-662</b>	<b>232-682</b>
				3	<b>232-663</b>	<b>232-683</b>
				4	<b>232-664</b>	<b>232-684</b>
				5	<b>232-665</b>	<b>232-685</b>
				7	<b>232-667</b>	<b>232-687</b>

Strain relief plate, loose suitable for series 734

Item No.	Colour	Width
<b>734-127</b> <b>734-227</b>	light grey orange	6 mm
<b>734-128</b> <b>734-228</b>	light grey orange	12.5 mm
<b>734-129</b> <b>734-229</b>	light grey orange	25 mm
<b>734-126</b> <b>734-226</b>	light grey orange	35 mm

**勝特力材料 886-3-5753170**  
**胜特力电子(上海) 86-21-34970699**  
**胜特力电子(深圳) 86-755-83298787**  
[Http://www.100y.com.tw](http://www.100y.com.tw)

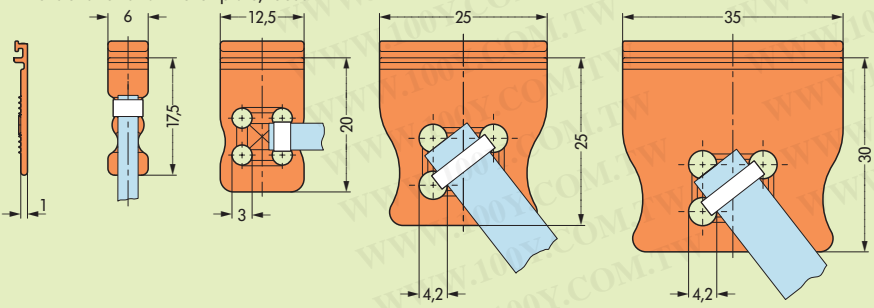
Male connectors as well as female connectors with CAGE CLAMP® can be supplied with assembled strain relief plate. Plates are offered in 4 different sizes.

An additional item number, referring to the width of the strain relief plate, is added to the "basic item number" and determines the type (see ordering examples).

It is therefore possible to order not only the "standard version" of male connectors or female connectors with strain relief plate, but also the version with fixing flanges or snap-in mounting feet.

The arrangement of the fixing holes for cable ties allows single conductors or multicore cables to be attached in several different orientations.

Dimensions for strain relief plate, loose



<b>Cable clamp, for strain relief</b>	<b>209-177</b>
for No. of poles	Spacing/mm
6 to 12 poles	3.5 + 3.81
4 to 6 poles	5 + 5.08
3 poles	7.5 + 7.62
<b>Cable clamp, for strain relief</b>	<b>209-174</b>
from 7 poles	5 + 5.08
from 5 poles	7.5 + 7.62
<b>Fixing screws, for cable clamp</b>	<b>209-176</b>
for No. of poles	Spacing/mm
4 to 6 poles	5 + 5.08
3 poles	7.5 + 7.62
<b>Fixing screws, for cable clamp</b>	<b>209-172</b>
6 to 12 poles	3.5 + 3.81
<b>Fixing screws, for cable clamp</b>	<b>209-173</b>
from 7 poles	5 + 5.08
from 5 poles	7.5 + 7.62

\*2 up to 5 poles only suitable for cable ties (Series 734), 2- to 3-poles only for cable ties (Series 231, 721 and 731)