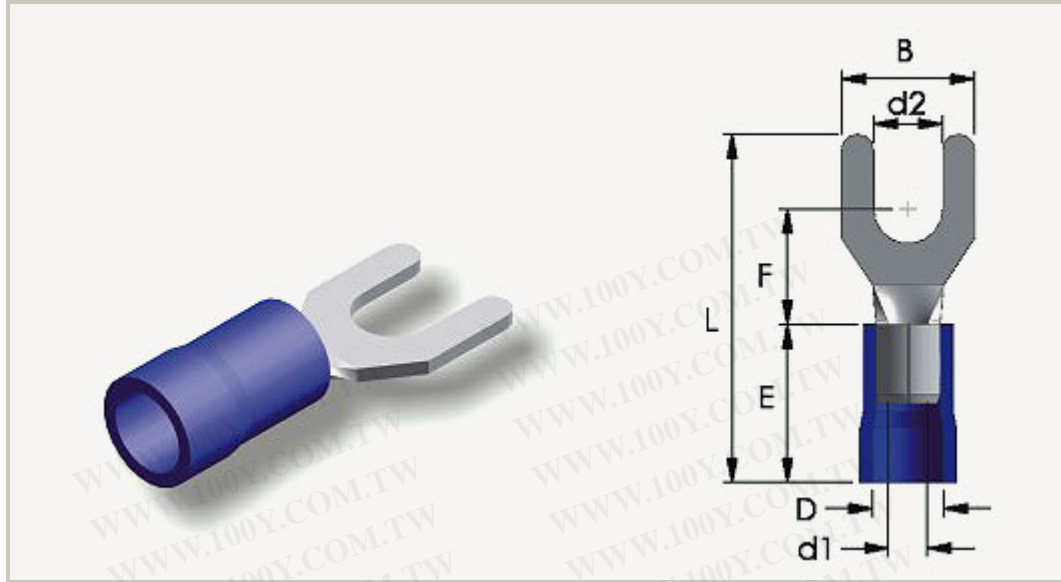


## Spade Terminals



### PVC INSULATED SPADE TERMINALS

#### Feature:

1. MAXIMUM ELECTRICAL RATING: 600 VOLTS
2. MAXIMUM TEMPERATURE: 105°C
3. TERMINAL MATERIAL: COPPER
4. PLATING: ELECTRO TIN PLATED
5. INSULATION MATERIAL: VINYL (PVC)

#### Specification:

勝特力材料 886-3-5753170  
勝特力电子(上海) 86-21-54151736  
勝特力电子(深圳) 86-755-83298787  
[Http://www.100y.com.tw](http://www.100y.com.tw)

| WIRE RANGE<br>AWG / mm <sup>2</sup>  | ITEM NO.   | STUD SIZE<br>d2 | DIMENSIONS inch (mm) |             |            |            |           |           |
|--------------------------------------|------------|-----------------|----------------------|-------------|------------|------------|-----------|-----------|
|                                      |            |                 | B                    | L           | F          | E          | D         | d1        |
| 22~16 AWG<br>0.5~1.5 mm <sup>2</sup> | S1-3SV     | #4 (3.2)        | .197(5.0)            | .827(21.0)  | .248(6.3)  | .394(10.0) | .161(4.1) | .067(1.7) |
|                                      | S1-3V      | #4 (3.2)        | .228(5.8)            | .827(21.0)  | .248(6.3)  |            |           |           |
|                                      | S1-3.5SV   | #6 (3.7)        | .228(5.8)            | .827(21.0)  | .248(6.3)  |            |           |           |
|                                      | S1-3.5MV   | #6 (3.7)        | .252(6.4)            | .811(20.6)  | .248(6.3)  |            |           |           |
|                                      | S1-3.5LV   | #6 (3.7)        | .283(7.2)            | .827(21.0)  | .248(6.3)  |            |           |           |
|                                      | S1-4SV     | #8 (4.3)        | .252(6.4)            | .811(20.6)  | .248(6.3)  |            |           |           |
|                                      | S1-4MV     | #8 (4.3)        | .283(7.2)            | .827(21.0)  | .248(6.3)  |            |           |           |
|                                      | S1-4LV     | #8 (4.3)        | .315(8.0)            | .827(21.0)  | .276(7.0)  |            |           |           |
|                                      | S1-5SV     | #10 (5.3)       | .315(8.0)            | .827(21.0)  | .276(7.0)  |            |           |           |
|                                      | S1-5LV     | #10 (5.3)       | .374(9.5)            | .827(21.0)  | .276(7.0)  |            |           |           |
|                                      | S1-6SV     | 1/4 (6.5)       | .374(9.5)            | .827(21.0)  | .276(7.0)  |            |           |           |
|                                      | S1-6LV     | 1/4 (6.5)       | .472(12.0)           | 1.071(27.2) | .433(11.0) |            |           |           |
| S1-8V                                | 5/16 (8.4) | .472(12.0)      | 1.071(27.2)          | .433(11.0)  |            |            |           |           |
| 16~14 AWG<br>1.5~2.5 mm <sup>2</sup> | S2-3SV     | #4 (3.2)        | .197(5.0)            | .827(21.0)  | .248(6.3)  | .394(10.0) | .177(4.5) | .091(2.3) |
|                                      | S2-3V      | #4 (3.2)        | .228(5.8)            | .827(21.0)  | .248(6.3)  |            |           |           |
|                                      | S2-3.5SV   | #6 (3.7)        | .228(5.8)            | .827(21.0)  | .248(6.3)  |            |           |           |
|                                      | S2-3.5MV   | #6 (3.7)        | .252(6.4)            | .827(21.0)  | .248(6.3)  |            |           |           |
|                                      | S2-3.5LV   | #6 (3.7)        | .283(7.2)            | .835(21.2)  | .256(6.5)  |            |           |           |
|                                      | S2-4SV     | #8 (4.3)        | .252(6.4)            | .827(21.0)  | .248(6.3)  |            |           |           |
|                                      | S2-4MV     | #8 (4.3)        | .283(7.2)            | .835(21.2)  | .256(6.5)  |            |           |           |
|                                      | S2-4LV     | #8 (4.3)        | .335(8.5)            | .866(22.0)  | .287(7.3)  |            |           |           |
|                                      | S2-5SV     | #10 (5.3)       | .335(8.5)            | .866(22.0)  | .287(7.3)  |            |           |           |
|                                      | S2-5LV     | #10 (5.3)       | .374(9.5)            | .866(22.0)  | .287(7.3)  |            |           |           |
|                                      | S2-6SV     | 1/4 (6.5)       | .374(9.5)            | .866(22.0)  | .287(7.3)  |            |           |           |
|                                      | S2-6LV     | 1/4 (6.5)       | .472(12.0)           | 1.071(27.2) | .433(11.0) |            |           |           |
| S2-8V                                | 5/16 (8.4) | .472(12.0)      | 1.071(27.2)          | .433(11.0)  |            |            |           |           |
| 14~12 AWG<br>2.5~4 mm <sup>2</sup>   | S3-3.5V    | #6 (3.7)        | .315(8.0)            | .976(24.8)  | .276(7.0)  | .492(12.5) | .236(6.0) | .110(2.8) |
|                                      | S3-4V      | #8 (4.3)        | .315(8.0)            | .976(24.8)  | .276(7.0)  |            |           |           |
|                                      | S3-5V      | #10 (5.3)       | .315(8.0)            | .976(24.8)  | .276(7.0)  |            |           |           |
|                                      | S3-6V      | 1/4 (6.5)       | .472(12.0)           | 1.102(28.0) | .358(9.1)  |            |           |           |
| 12~10 AWG<br>4~6 mm <sup>2</sup>     | S5-3.5SV   | #6 (3.7)        | .283(7.2)            | .992(25.2)  | .295(7.5)  | .492(12.5) | .256(6.5) | .134(3.4) |
|                                      | S5-3.5LV   | #6 (3.7)        | .335(8.5)            | .992(25.2)  | .295(7.5)  |            |           |           |
|                                      | S5-4SV     | #8 (4.3)        | .335(8.5)            | .992(25.2)  | .295(7.5)  |            |           |           |
|                                      | S5-4LV     | #8 (4.3)        | .374(9.5)            | .992(25.2)  | .295(7.5)  |            |           |           |
|                                      | S5-5V      | #10 (5.3)       | .374(9.5)            | .992(25.2)  | .295(7.5)  |            |           |           |
|                                      | S5-6SV     | 1/4 (6.5)       | .374(9.5)            | .992(25.2)  | .295(7.5)  |            |           |           |
|                                      | S5-6LV     | 1/4 (6.5)       | .472(12.0)           | 1.228(31.2) | .472(12.0) |            |           |           |
| S5-8V                                | 5/16 (8.4) | .531(13.5)      | 1.181(30.0)          | .413(10.5)  |            |            |           |           |
| 8 AWG<br>8 mm <sup>2</sup>           | S8-4V      | #8 (4.3)        | .323(8.2)            | 1.142(29.0) | .319(8.1)  | .669(17.0) | .315(8.0) | .177(4.5) |
|                                      | S8-5V      | #10 (5.3)       | .354(9.0)            |             |            |            |           |           |
|                                      | S8-6V      | 1/4 (6.5)       | .425(10.8)           | 1.201(30.5) | .339(8.6)  |            |           |           |

勝特力材料 886-3-5753170  
 勝特力电子(上海) 86-21-54151736  
 勝特力电子(深圳) 86-755-83298787  
[Http://www.100y.com.tw](http://www.100y.com.tw)

圖號 . DRAWING NO: FP3S05V

校訂版次 REVISIONS

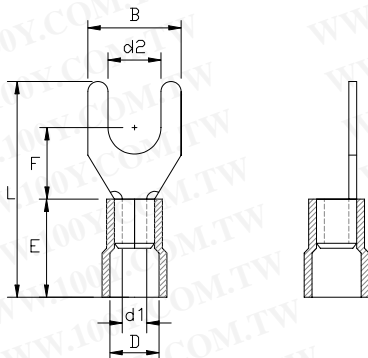
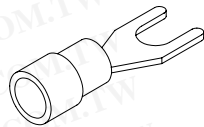
品名 NAME: Spade ITEM NO.:

| 版次 | 記述 DESCRIPTION | DATE | 核可 |
|----|----------------|------|----|
|    |                |      |    |
|    |                |      |    |

勝特力材料 886-3-5753170  
 勝特力电子(上海) 86-21-54151736  
 勝特力电子(深圳) 86-755-83298787  
[Http://www.100y.com.tw](http://www.100y.com.tw)

NOTE:

1. WIRE RANGE: AWG 12-10/4-6mm<sup>2</sup>
2. INSULATED COLOR: YELLOW
3. MAXIMUM ELECTRICAL RATING:  
75 °C 600 VOLTS 48 AMPERE MAX.



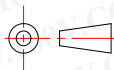
| 產品編號<br>ITEM NO. | d2<br>±0.20 | B<br>±0.20 | F<br>±0.30 | L<br>±1.00 | E<br>±0.60 | d1<br>±0.20 | D<br>±0.30 |
|------------------|-------------|------------|------------|------------|------------|-------------|------------|
| S5-3.5SV         | 3.7         | 7.2        | 7.5        | 25.2       | 12.5       | 3.4         | 6.5        |
| S5-3.5LV         | 3.7         | 8.5        | 7.5        | 25.2       |            |             |            |
| S5-4SV           | 4.3         | 8.5        | 7.5        | 25.2       |            |             |            |
| S5-4LV           | 4.3         | 9.5        | 7.5        | 25.2       |            |             |            |
| S5-5V            | 5.3         | 9.5        | 7.5        | 25.2       |            |             |            |
| S5-6SV           | 6.5         | 9.5        | 7.5        | 25.2       |            |             |            |
| S5-6LV           | 6.5         | 12.0       | 12.0       | 31.2       |            |             |            |
| S5-8V            | 8.4         | 13.5       | 10.5       | 30.0       |            |             |            |

認可 APPROVALS

製圖 DRAFT: Den

設計 DESIGN: 劉'r

核可 CHECKED: Chen

第三視角  
THIRD VIEW

MATERIAL

INSULATION: VINYL

MATERIAL: COPPER

TIN PLATING

JUL, 01, 2007