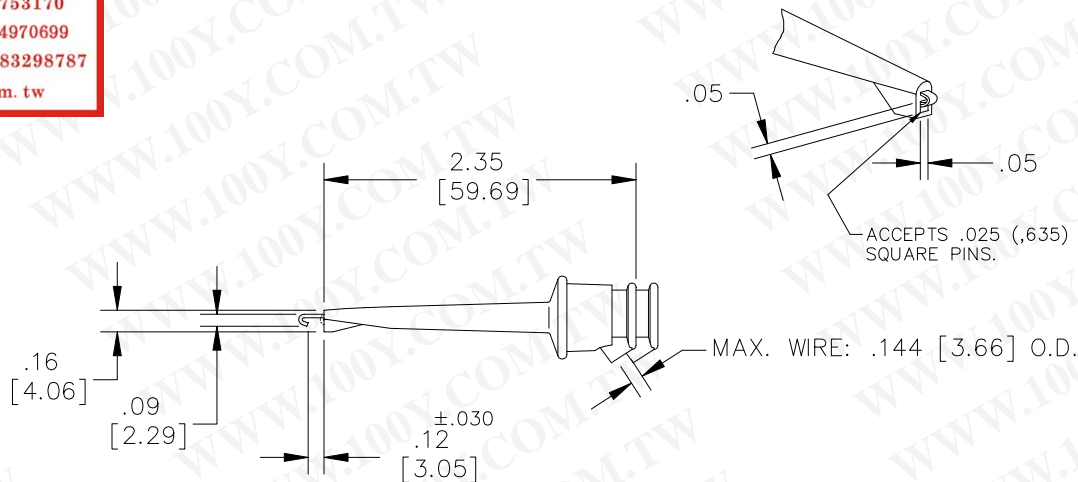


Model 4555
Do-It-Yourself Minigrabber Test Clip

勝特力材料 886-3-5753170
勝特力电子(上海) 86-21-34970699
勝特力电子(深圳) 86-755-83298787
Http://www.100y.com.tw



Model 4555
Do-It-Yourself Minigrabber Test Clip

Materials

Contact: Gold Plated Beryllium Copper
Spring: Stainless Steel
Body Insulation: Glass filled nylon

Specifications

Voltage: Maximum voltage for hands free use: 300 Vrms Max.
For CE compliance, do not hold in hand when voltages exceed 30 Vrms / 60 Vdc.
Operating Temperature: +102°C (+216°F) Max.
Current: 5 Amperes

Ordering Information

Model: **4555-***
* = Color: -0 (Black), -2 (Red)
Ordering Example: **4555-2**, Minigrabber is red.

Additional colors may be quoted upon request.
Sold in packages of 10 per color.