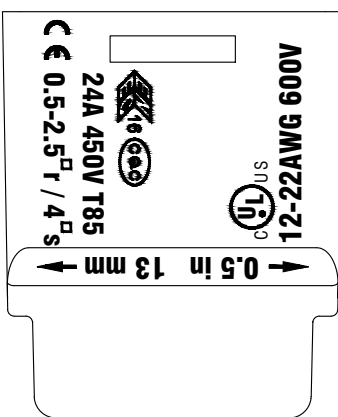
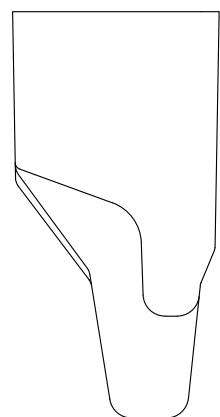
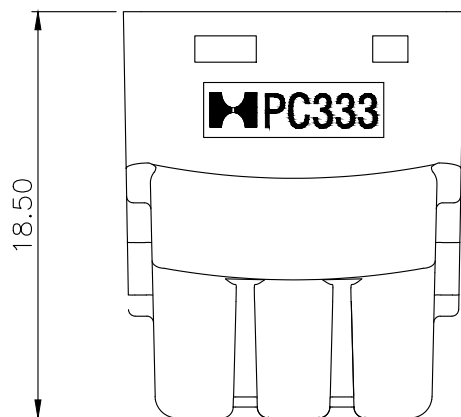


勝特力電材超市-龍山店 886-3-5773766  
 勝特力電材超市-光復店 886-3-5729570  
 勝特力电子(上海) 86-21-34970699  
 勝特力电子(深圳) 86-755-83298787  
<http://www.100y.com.tw>



ALL DIMENSION IN MM UNLESS OTHERWISE STATED : 0.= ±0.2mm 00.= ±0.4mm

**Housing Material :** Polycarbonate (PC) and Polypropylene (PP), flame-retardant to UL 94-V2

**Terminal Insert :** (1) Tin-bonded copper  
(2) Spring plate: Steel

**Current :** 32A (IEC), 24A (IEC/CQC)

**Voltage :** 450V (IEC/CQC), 600V (UL)

**Working Temperature :** T85 (IEC/CQC), 105° C (UL)

**Stripping Length :** 9.5 ~ 13 mm (0.375 ~ 0.5 inch)

**Wire Range :** 0.5-4.0mm<sup>2</sup> Sol. (IEC) / 0.5-2.5mm<sup>2</sup> Rigid Str. (IEC/CQC)

22-12AWG, Sol Cu / 20-12AWG, Str Cu / 22-14AWG, Tin-bonded Str Cu (UL)

**TITLE :**  
 PUSH-IN WIRE CONNECTORS  
 Model No. PC333  
 Part No. PC333

**Drawn By**

**Rev.**

**International Approvals**

cULus, CE, FIMKO, ENEC, CQC