

MAXIMUM ELECTRIC CURRENT:

A.W.G.	16	14
AMP.	18	30

MAXIMUM ELECTRICAL RATING: 105°C 600 VOLTS MAX.

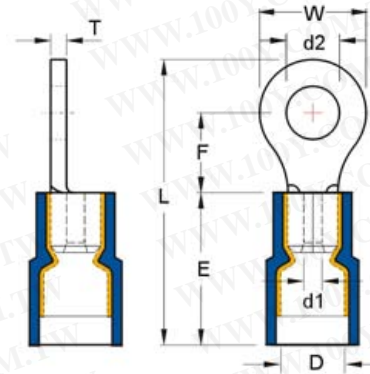
INSULATION MATERIAL: NYLON

INSULATION COLOR:

16-14A.W.G.: BLUE

TERMINAL MATERIAL: COPPER

DOUBLE CRIMP: WITH COPPER SLEEVE ON BARREL



勝特力材料 886-3-5753170
 勝特力电子(上海) 86-21-34970699
 勝特力电子(深圳) 86-755-83298787
[Http://www.100y.com.tw](http://www.100y.com.tw)

WIRE RANGE A.W.G. mm ²	ITEM NO.	STUD SIZE		DIMENSION inch(mm)							CRIMPING TOOL	Q'TY BOX
		d2	W	F	L	E	D	d1	T			
16-14 A.W.G. 1.5-2.5 mm ²	RNYD2-5-HD	#6	0.209 5.3	0.374 9.5	0.327 8.3	1.024 26	0.512 13	0.276 7.000	0.11 2.8	0.051 1.3	IZUMI MODEL 5 OR K.S.MODEL KST2000B WITH DIE INDEX COLOR:BLUE	500