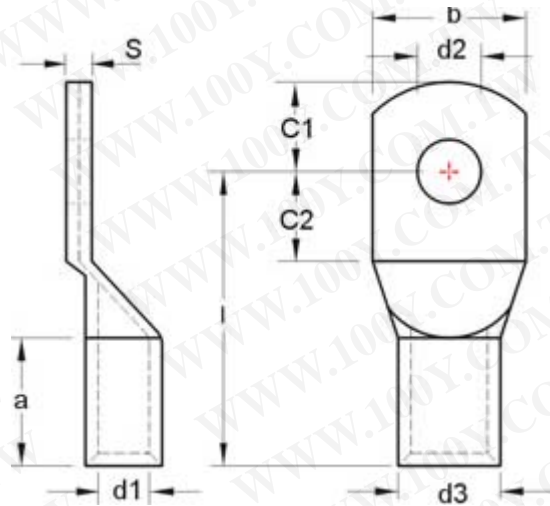


NON-INSULATED COPPER TUBULAR LUGS (TLK SERIES)

MAXIMUM ELECTRIC CURRENT:

A. W. G.	18	16	14	12	10	8	6	4	2	1/0	2/0	3/0	4/0	250	300	350	400	500	600	750
AMP.	17	18	30	35	50	70	95	125	170	230	265	310	360	405	445	505	545	620	690	785

TERMINAL MATERIAL: COPPER TUBULAR



WIRE RANGE A. W. G. mm ²	ITEM NO.	Q' TY BOX
4/0 A. W. G. 120 mm ²	TLK120-8	25
	TLK120-10	25
	TLK120-12	25
	TLK120-14	25
	TLK120-16	25
	TLK120-20	25

勝特力材料 886-3-5753170
 勝特力电子(上海) 86-21-34970699
 勝特力电子(深圳) 86-755-83298787
[Http://www.100y.com.tw](http://www.100y.com.tw)