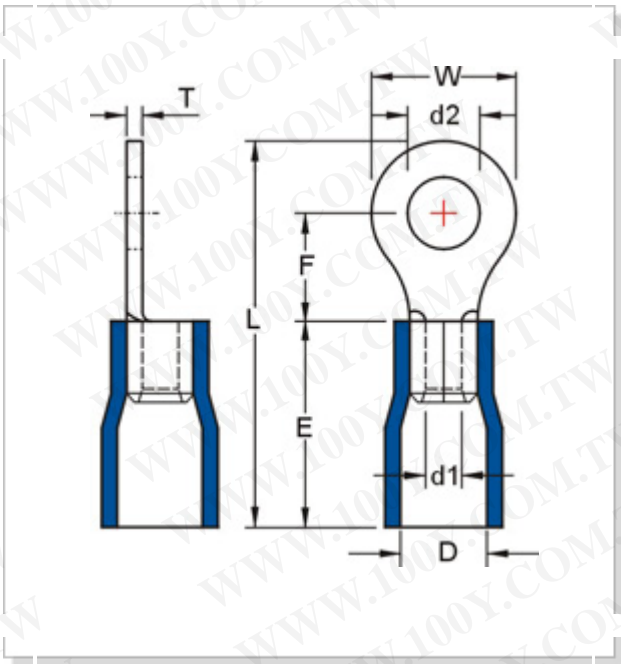




VINYL-Insulated Ring Terminal



MAXIMUM ELECTRIC CURRENT:

A.W.G.	22	20	18	16	14	12	10	8	6	4	2
AMP.	9	12	17	18	30	35	50	70	95	125	170

MAXIMUM ELECTRICAL RATING: 105 C 600 VOLTS MAX.

INSULATION MATERIAL: VINYL

INSULATION COLOR:

- 22-16A.W.G.: RED
- 16-14A.W.G.: BLUE
- 14-12A.W.G.: BLACK
- 12-10A.W.G.: YELLOW
- 8A.W.G.: RED
- 6A.W.G.: BLUE
- 4A.W.G.: YELLOW
- 2A.W.G.: RED

WIRE RANG E A.W.G. mm ²	ITEM NO.		STUD SIZE	DIMENSION inch(mm)							
	BRAZED SEAM	BUTTED SEAM	d2	W	F	L	E	D	d1	T	
22-16 A.W.G.	<input checked="" type="checkbox"/> RVBS1-3.7	<input checked="" type="checkbox"/> RVS1-3.7	#6	0.14 6 3.7	0.217 5.5	0.197 5	0.68 9 17.5	0.394 10	0.157 4.000	0.067 1.7	0.03 0.75
	<input type="checkbox"/> RVBS1-4	<input type="checkbox"/> RVS1-4	#8	0.16 9 4.3	0.26 6.6	0.248 6.3	0.76 4 19.4	0.394 10	0.157 4.000	0.067 1.7	0.03 0.75