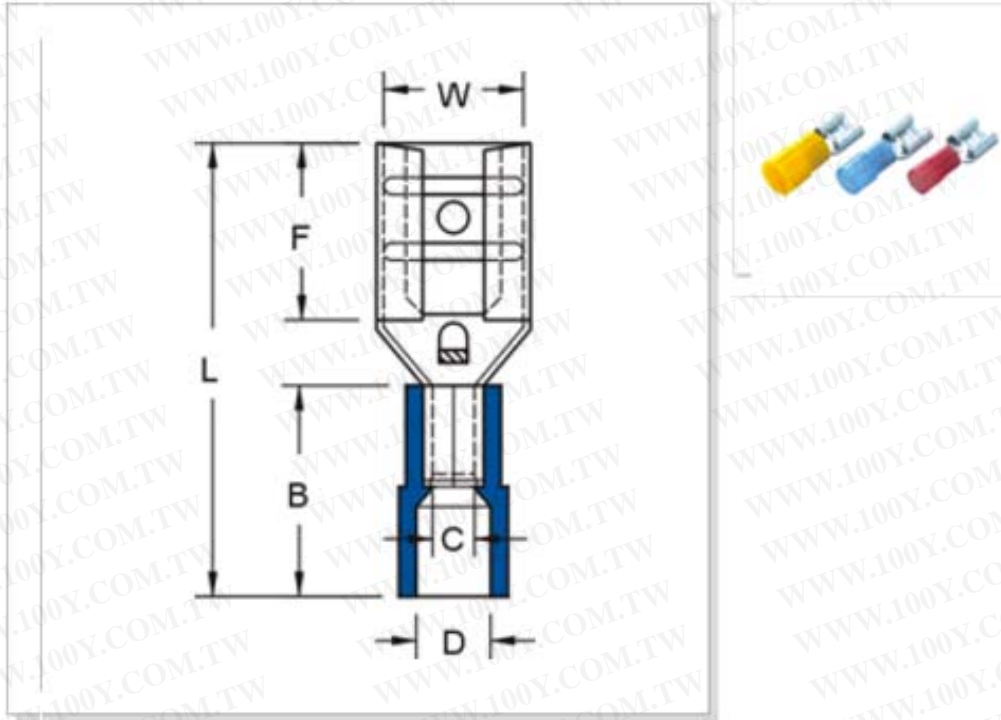


勝特力材料 886-3-5753170  
 勝特力电子(上海) 86-21-34970699  
 勝特力电子(深圳) 86-755-83298787  
[Http://www.100y.com.tw](http://www.100y.com.tw)



**MAXIMUM ELECTRIC CURRENT:**

A.W.G.	22	20	18	16	14	12	10
AMP.	3	4	7	10	15	20	24

**MAXIMUM ELECTRICAL RATING:** 105°C 300 VOLTS MAX.

**INSULATION MATERIAL:** NYLON

**INSULATION COLOR:**

22-16A.W.G.: RED  16-14A.W.G.: BLUE

12-10A.W.G.: YELLOW

**TERMINAL MATERIAL:** BRASS

**TERMINAL BARREL I.D:**

22-16A.W.G.: C=1.7mm  $\diamond$   $\diamond$  16-14A.W.G.: C=2.3mm  $\diamond$   $\diamond$  12-10A.W.G.: C=3.4mm

WIRE RANGE A.W.G. mm <sup>2</sup>	ITEM NO.	NEMA TAB	DIMENSION inch(mm)						Q'TY BOX
			W	F	L	B	D	T	
22-16 A.W.G. 0.5-1.5 mm <sup>2</sup>	<input type="checkbox"/> FDNY1-110(5)	.020X.110 (0.5X2.8)	0.126 3.2	0.256 6.5	0.772 19.6	0.433 11	0.157 4.000	0.012 0.3	1000
	<input type="checkbox"/> FDNY1-110(8)	.032X.110 (0.8X2.8)	0.126 3.2	0.256 6.5	0.772 19.6	0.433 11	0.157 4.000	0.012 0.3	1000
	<input type="checkbox"/> FDNY1-187(5)	.020X.187 (0.5X4.75)	0.197 5	0.252 6.4	0.787 20	0.433 11	0.157 4.000	0.014 0.35	1000
	<input type="checkbox"/> FDNY1-187(8)	.032X.187 (0.8X4.75)	0.197 5	0.252 6.4	0.787 20	0.433 11	0.157 4.000	0.014 0.35	1000
	<input type="checkbox"/> FDNY1-205(5)	.020X.205 (0.5X5.2)	0.224 5.7	0.228 5.8	0.768 19.5	0.433 11	0.157 4.000	0.014 0.35	1000
	<input type="checkbox"/> FDNY1-205(8)	.032X.205 (0.8X5.2)	0.224 5.7	0.228 5.8	0.768 19.5	0.433 11	0.157 4.000	0.014 0.35	1000
	<input type="checkbox"/> FDNY1-250	.023X.250 (0.8X6.35)	0.26 6.6	0.295 7.5	0.846 21.5	0.433 11	0.157 4.000	0.016 0.4	1000
<input type="checkbox"/> FDNY1-312	.032X.315 (0.8X8.0)	0.323 8.2	0.394 10	1.008 25.6	0.433 11	0.157 4.000	0.016 0.4	1000	
16-14 A.W.G. 1.5-2.5 mm <sup>2</sup>	<input type="checkbox"/> FDNY2-110(5)	.020X.110 (0.5X2.8)	0.126 3.2	0.256 6.5	0.772 19.6	0.433 11	0.177 4.500	0.012 0.3	1000
	<input type="checkbox"/> FDNY2-110(8)	.032X.110 (0.8X2.8)	0.126 3.2	0.256 6.5	0.772 19.6	0.433 11	0.177 4.500	0.012 0.3	1000
	<input type="checkbox"/> FDNY2-187(5)	.020X.187 (0.5X4.75)	0.197 5	0.252 6.4	0.787 20	0.433 11	0.177 4.500	0.014 0.35	1000
	<input type="checkbox"/> FDNY2-187(8)	.032X.187 (0.8X4.75)	0.197 5	0.252 6.4	0.787 20	0.433 11	0.177 4.500	0.014 0.35	1000
	<input type="checkbox"/> FDNY2-205(5)	.020X.205 (0.5X5.2)	0.224 5.7	0.228 5.8	0.768 19.5	0.433 11	0.177 4.500	0.014 0.35	1000
	<input type="checkbox"/> FDNY2-205(8)	.032X.205 (0.8X5.2)	0.224 5.7	0.228 5.8	0.768 19.5	0.433 11	0.177 4.500	0.014 0.35	1000
	<input type="checkbox"/> FDNY2-250	.032X.250 (0.8X6.35)	0.26 6.6	0.295 7.5	0.846 21.5	0.433 11	0.177 4.500	0.016 0.4	1000
<input type="checkbox"/> FDNY2-312	.032X.315 (0.8X8.0)	0.323 8.2	0.394 10	0.992 25.2	0.433 11	0.177 4.500	0.016 0.4	1000	
<input type="checkbox"/> FDNY2-375	.047X.370 (1.2X9.4)	0.394 10	0.472 12	1.043 26.5	0.433 11	0.177 4.500	0.02 0.5	1000	
12-10 A.W.G. 4-6 mm <sup>2</sup>	<input type="checkbox"/> FDNY5-110(5)	.020X.110 (0.5X2.8)	0.126 3.2	0.256 6.5	0.866 22	0.512 13	0.248 6.300	0.014 0.35	500
	<input type="checkbox"/> FDNY5-110(8)	.032X.110 (0.8X2.8)	0.126 3.2	0.256 6.5	0.866 22	0.512 13	0.248 6.300	0.014 0.35	500
	<input type="checkbox"/> FDNY5-187(5)	.020X.187 (0.5X4.75)	0.197 5	0.256 6.5	0.866 22	0.512 13	0.248 6.300	0.014 0.35	500
	<input type="checkbox"/> FDNY5-187(8)	.032X.187 (0.8X4.75)	0.197 5	0.256 6.5	0.866 22	0.512 13	0.248 6.300	0.014 0.35	500
	<input type="checkbox"/> FDNY5-250	.032X.250 (0.8X6.35)	0.26 6.6	0.295 7.5	0.925 23.5	0.512 13	0.248 6.300	0.016 0.4	500
	<input type="checkbox"/> FDNY5-375	.047X.370 (1.2X9.4)	0.394 10	0.472 12	1.122 28.5	0.512 13	0.248 6.300	0.02 0.5	500

**勝特力材料 886-3-5753170**  
**勝特力电子(上海) 86-21-34970699**  
**勝特力电子(深圳) 86-755-83298787**  
[Http://www.100y.com.tw](http://www.100y.com.tw)