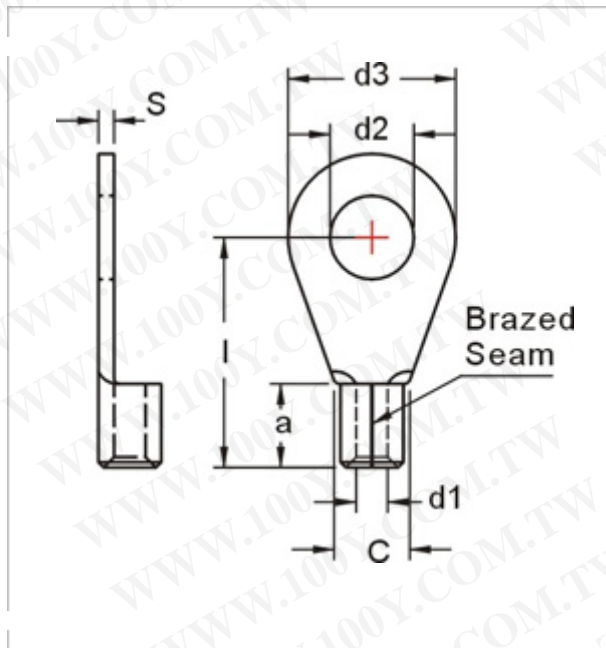


圓中空裸端子

NON-INSULATED DIN 46234 RING TERMINALS



勝特力材料 886-3-5753170
 勝特力电子(上海) 86-21-34970699
 勝特力电子(深圳) 86-755-83298787
[Http://www.100y.com.tw](http://www.100y.com.tw)

MAXIMUM ELECTRIC CURRENT:

A. W. G.	26	24	22	20	18	16	14	12	10	8	6	4	2	1/0	2/0	3/0	4/0	250	300	350	400
AMP.	5.5	7	9	12	17	18	30	35	50	70	95	125	170	230	265	310	360	405	445	505	545

TERMINAL MATERIAL: COPPER

WIRE RANGE A. W. G. mm ²	ITEM NO.	STUD SIZE		DIMENSION (mm)						Q' TY BOX
		d2	D3	1	A	C	d1	S		
26-22 A. W. G.	<input type="checkbox"/> DRNB2-0.5	#2	2.2	5	10	4	2	1	0.5	1000
	<input type="checkbox"/> DRNB2.5-0.5	#3	2.7	5	10	4	2	1	0.5	1000
	<input type="checkbox"/> DRNB3-0.5	#4	3.2	5	10	4	2	1	0.5	1000
0.2-0.5 mm ²	<input type="checkbox"/> DRNB3.5-0.5	#6	3.7	6	12	4	2	1	0.5	1000
	<input type="checkbox"/> DRNB4-0.5	#8	4.3	6.5	12	4	2	1	0.5	1000
	<input type="checkbox"/> DRNB5-0.5	#10	5.3	8	12	4	2	1	0.5	1000
22-16 A. W. G.	<input type="checkbox"/> DRNB2-1	#2	2.2	6	11	5	4	1.6	0.8	1000
	<input type="checkbox"/> DRNB2.5-1	#3	2.7	6	11	5	4	1.6	0.8	1000
	<input type="checkbox"/> DRNB3-1	#4	3.2	6	11	5	4	1.6	0.8	1000
0.5-1.5 mm ²	<input type="checkbox"/> DRNB3.5-1	#6	3.7	6	11	5	4	1.6	0.8	1000
	<input type="checkbox"/> DRNBS4-1	#8	4.3	7	11.5	5	4	1.6	0.8	1000
	<input type="checkbox"/> DRNB4-1	#8	4.3	8	12	5	4	1.6	0.8	1000

	<input type="checkbox"/>	DRNBS5-1	#10	5.3	8	12.5	5	4	1.6	0.8	1000
	<input type="checkbox"/>	DRNB5-1	#10	5.3	10	13	5	4	1.6	0.8	1000
	<input type="checkbox"/>	DRNB6-1	1/4	6.5	10	13	5	4	1.6	0.8	1000
	<input type="checkbox"/>	DRNBL6-1	1/4	6.5	11	15	5	4	1.6	0.8	1000
	<input type="checkbox"/>	DRNB8-1	5/16	8.4	14	17	5	4	1.6	0.8	1000
	<input type="checkbox"/>	DRNB10-1	3/8	10.5	14	17	5	4	1.6	0.8	1000
	<input type="checkbox"/>	DRNBL10-1	3/8	10.5	18	19	5	4	1.6	0.8	1000
16-14	<input type="checkbox"/>	DRNB3-2.5	#4	3.2	6	11	5	4.5	2.3	0.8	1000
A. W. G.	<input type="checkbox"/>	DRNB3.5-2.5	#6	3.7	6	11	5	4.5	2.3	0.8	1000
1.5-2.5	<input type="checkbox"/>	DRNBS4-2.5	#8	4.3	6.8	11.6	5	4.5	2.3	0.8	1000
mm ²	<input type="checkbox"/>	DRNB4-2.5	#8	4.3	8	12	5	4.5	2.3	0.8	1000
	<input type="checkbox"/>	DRNBS5-2.5	#10	5.3	8	13.5	5	4.5	2.3	0.8	1000
	<input type="checkbox"/>	DRNB5-2.5	#10	5.3	10	14	5	4.5	2.3	0.8	1000
	<input type="checkbox"/>	DRNB6-2.5	1/4	6.5	11	16	5	4.5	2.3	0.8	1000
	<input type="checkbox"/>	DRNB8-2.5	5/16	8.4	14	17	5	4.5	2.3	0.8	1000
	<input type="checkbox"/>	DRNB10-2.5	3/8	10.5	15	17	5	4.5	2.3	0.8	1000
	<input type="checkbox"/>	DRNBL10-2.5	3/8	10.5	18	18.5	5	4.5	2.3	0.8	1000
	<input type="checkbox"/>	DRNB12-2.5	1/2	13	18	20	5	4.5	2.3	0.8	1000
	<input type="checkbox"/>	DRNB3.5-6	#6	3.7	8	13.5	6	6	3.6	1	1000
	<input type="checkbox"/>	DRNB4-6	#8	4.3	8	14	6	6	3.6	1	1000
	<input type="checkbox"/>	DRNB5-6	#10	5.3	10	15	6	6	3.6	1	1000
	<input type="checkbox"/>	DRNB6-6	1/4	6.5	11	16	6	6	3.6	1	1000
	<input type="checkbox"/>	DRNBL6-6	1/4	6.5	18	21	6	6	3.6	1	1000
	<input type="checkbox"/>	DRNB8-6	5/16	8.4	14	19	6	6	3.6	1	1000
	<input type="checkbox"/>	DRNB10-6	3/8	10.5	18	21	6	6	3.6	1	1000
	<input type="checkbox"/>	DRNB12-6	1/2	13	18	21	6	6	3.6	1	1000
	<input type="checkbox"/>	DRNB5-10	#10	5.3	10	16	8	8	4.5	1.1	500
	<input type="checkbox"/>	DRNB6-10	1/4	6.5	11	17	8	8	4.5	1.1	500
	<input type="checkbox"/>	DRNB8-10	5/16	8.4	14	20	8	8	4.5	1.1	500
	<input type="checkbox"/>	DRNB10-10	3/8	10.5	18	21	8	8	4.5	1.1	500
	<input type="checkbox"/>	DRNB12-10	1/2	13	22	23	8	8	4.5	1.1	500
	<input type="checkbox"/>	DRNB5-16	#10	5.3	11	20	10	10.5	5.8	1.2	500
	<input type="checkbox"/>	DRNB6-16	1/4	6.5	11	20	10	10.5	5.8	1.2	500

□ DRNB8-16	5/16	8.4	14	22	10	10.5	5.8	1.2	500
□ DRNB10-16	3/8	10.5	18	24	10	10.5	5.8	1.2	500
□ DRNB12-16	1/2	13	22	25	10	10.5	5.8	1.2	400
□ DRNB5-25	#10	5.3	12	25	11	12	7.5	1.5	250
□ DRNB6-25	1/4	6.5	12	25	11	12	7.5	1.5	250
□ DRNB8-25	5/16	8.4	16	25	11	12	7.5	1.5	250
□ DRNB10-25	3/8	10.5	18	26	11	12	7.5	1.5	200
□ DRNB12-25	1/2	13	22	31	11	12	7.5	1.5	200
□ DRNB16-25	5/8	17	28	35	11	12	7.5	1.5	200
□ DRNB6-35	1/4	6.5	15	26	12	15	9	1.6	250
□ DRNB8-35	5/16	8.4	16	26	12	15	9	1.6	200
□ DRNB10-35	3/8	10.5	18	27	12	15	9	1.6	200
□ DRNB12-35	1/2	13	22	31	12	15	9	1.6	200
□ DRNB16-35	5/8	17	28	36	12	15	9	1.6	100
□ DRNB6-50	1/4	6.5	18	34	16	17	11	1.8	100
□ DRNB8-50	5/16	8.4	18	34	16	17	11	1.8	100
□ DRNB10-50	3/8	10.5	18	34	16	17	11	1.8	100
□ DRNB12-50	1/2	13	22	36	16	17	11	1.8	100
□ DRNB16-50	5/8	17	28	40	16	17	11	1.8	100
□ DRNB6-70	1/4	6.5	22	38	18	21	13	2	100
□ DRNB8-70	5/16	8.4	22	38	18	21	13	2	100
□ DRNB10-70	3/8	10.5	22	38	18	21	13	2	100
□ DRNB12-70	1/2	13	22	38	18	21	13	2	100
□ DRNB16-70	5/8	17	28	42	18	21	13	2	100
□ DRNB8-95	5/16	8.4	28	42	20	23	15	2.5	50
□ DRNB10-95	3/8	10.5	24	42	20	23	15	2.5	50
□ DRNB12-95	1/2	13	24	42	20	23	15	2.5	50
□ DRNB16-95	5/8	17	28	44	20	23	15	2.5	50
□ DRNB8-120	5/16	8.4	24	44	22	24	16.5	3	50
□ DRNB10-120	3/8	10.5	24	44	22	24	16.5	3	50
□ DRNB12-120	1/2	13	24	44	22	24	16.5	3	50
□ DRNB16-120	5/8	17	28	48	22	24	16.5	3	50
□ DRNB10-150	3/8	10.5	30	50	24	28	19	3.2	25
□ DRNB12-150	1/2	13	30	50	24	28	19	3.2	25

<input type="checkbox"/> DRNB16-150	5/8	17	30	50	24	28	19	3.2	25
<input type="checkbox"/> DRNB10-185	3/8	10.5	36	50	28	33	21	3.5	25
<input type="checkbox"/> DRNB12-185	1/2	13	36	50	28	33	21	3.5	25
<input type="checkbox"/> DRNB16-185	5/8	17	36	50	28	33	21	3.5	25
<input type="checkbox"/> DRNB10-240	3/8	10.5	38	56	32	36	23.5	4	25
<input type="checkbox"/> DRNB12-240	1/2	13	38	56	32	36	23.5	4	25
<input type="checkbox"/> DRNB16-240	5/8	17	38	56	32	36	23.5	4	25