

DT-5C-B01W-□□

勝特力材料 886-3-5753170
 勝特力电子(上海) 86-21-54151736
 勝特力电子(深圳) 86-755-83298787
[Http://www.100y.com.tw](http://www.100y.com.tw)

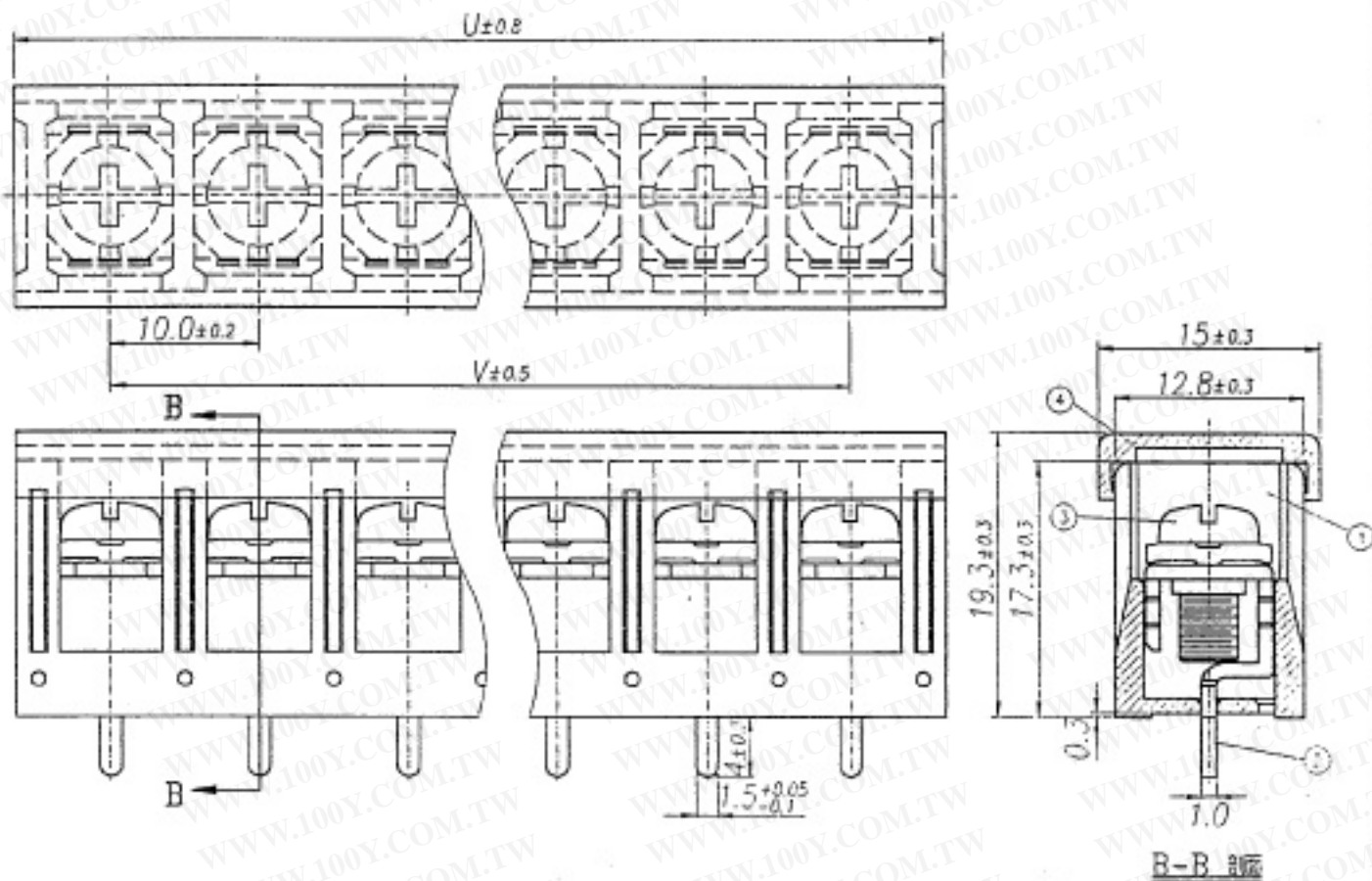
RATING: 250V 20A
 PITCH: 10mm

INSULATION WITHSTANDS VOLTAGE
 AC 2200V/MIN
 INSULATION RESISTANCE
 500MΩ OR MORE AT DC 500V

MATERIALS

- ① HOUSING: PBT 15%GF ,UL94V-0 ,BLACK
- ② SOLDER POST: BRASS, 1.0t, TIN PLATED
- ③ SCREW: M4, STEEL ,Ni PLATED
- ④ COVER: PC, TRANSPARENT

WIRE RANGE: 22~14AWG
 TORQUE VALUE: 18kg-cm
 WORKING TEMP: -40°C~+85°C



P	2	3	4	5	6	7	8	9	10	11	12	13
V	10.0	20.0	30.0	40.0	50.0	60.0	70.0	80.0	90.0	100.0	110.0	120.0
U	23.0	33.0	43.0	53.0	63.0	73.0	83.0	93.0	103.0	113.0	123.0	133.0
P	14	15	16	17	18	19	20	21	22	23	24	25
V	130.0	140.0	150.0	160.0	170.0	180.0	190.0	200.0	210.0	220.0	230.0	240.0
U	143.0	153.0	163.0	173.0	183.0	193.0	203.0	213.0	223.0	233.0	243.0	253.0
P	26	27	28	29	30							
V	250.0	260.0	270.0	280.0	290.0							
U	263.0	273.0	283.0	293.0	303.0							

一般公差: ±0.5mm