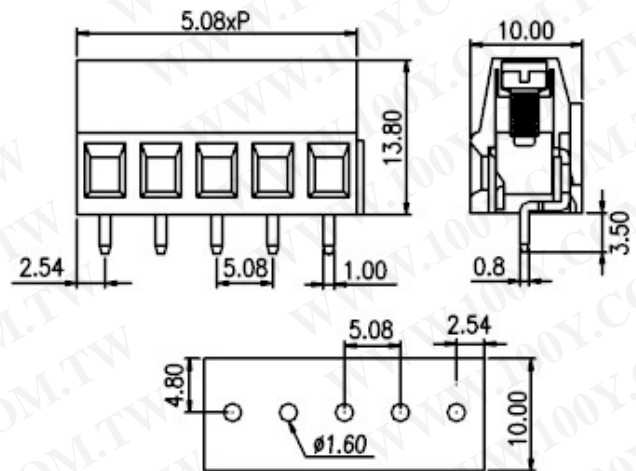
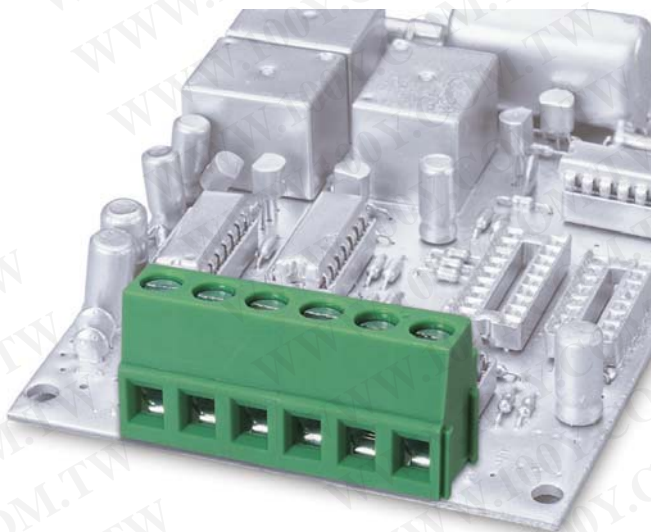





## European P.C.B. type terminal blocks / EK series

### EK508V



### Pitch: 5.08mm

Approval	  	
Technical Data	UL	IEC
Rated voltage	300V	250V
Rated current	20A	24A
Wire range		2.5mm <sup>2</sup>
Solid wire (AWG)	24~12	
Stranded wire (AWG/mm <sup>2</sup> )	24~12	
Rated surge voltage (UL/IEC/Max.)	1.6 / 2 / 3 KV	
Torque (Lb-in)	4.4	
Screw	M2.5	
Wire strip length	6~7mm	
Pole	Cat. No.	
02	EK508V-02P	
03	EK508V-03P	