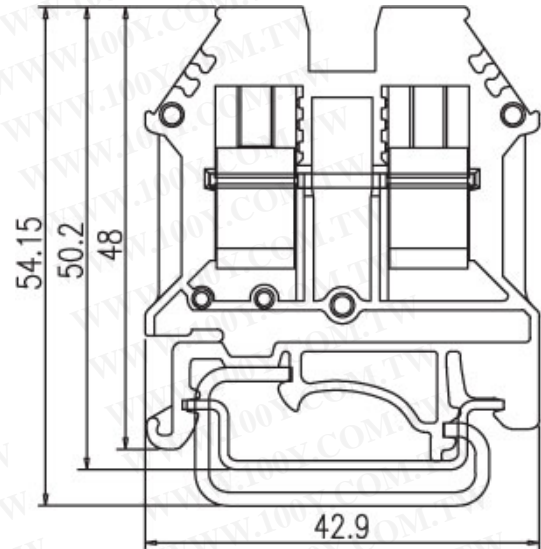
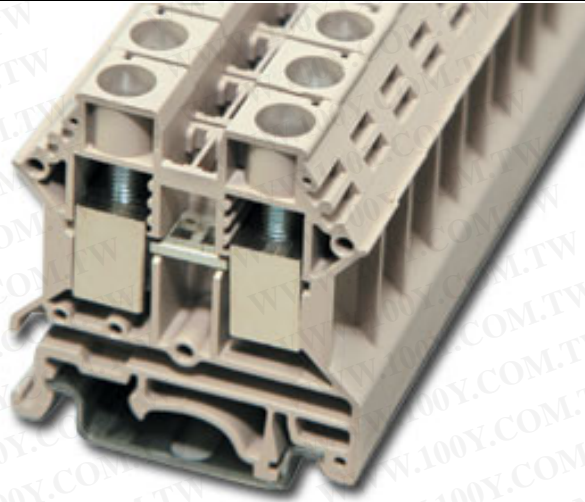


**DIN Rail terminal blocks / DK..D series**

勝特力材料 886-3-5753170  
 勝特力电子(上海) 86-21-34970699  
 勝特力电子(深圳) 86-755-83298787  
[Http://www.100y.com.tw](http://www.100y.com.tw)



**DK10D**



Approval		
Technical Data	UL	IEC
Rated voltage	600V	1000V
Rated current	60A	57A
Conductor cross-section, solid (AWG / mm <sup>2</sup> )	20~6 / 0.5~10	
Conductor cross-section, flexible (AWG / mm <sup>2</sup> )	20~6 / 0.5~10	
Rated impulse withstand voltage	8KV	
Torque (N-m)	1.3	
Screw	M4	
Wire strip length	12~14mm	
Insulating material	PA	
TxHxW (mm)	10x48x42.9	
Optional color	Cat. No.	
●	DK10D-RD	
●	DK10D-BL	
●	DK10D-BK	
●	DK10D-OR	



	Accessories	Cat. No.
End cover		DK10NC
Partition		
Small partition		DKNSPS-002
Insertion bridge	2 way	DSS10N-02P
	3 way	DSS10N-03P
	4 way	DSS10N-04P
	10 way	DSS10N-10P
Insertion bridge	2 way	CSC-1002N
	3 way	CSC-1003N
	4 way	CSC-1004N
	10 way	CSC-1010N
Screw-on bridge	2 way	
	3 way	
	4 way	
	10 way	
Marking label		TM28
Mounting Rail		TS-35 / TS-32
Tool		0.8x4mm

勝特力材料 886-3-5753170  
勝特力电子(上海) 86-21-34970699  
勝特力电子(深圳) 86-755-83298787  
[Http://www.100y.com.tw](http://www.100y.com.tw)