

ROHS

REV.	ECN. NO.	NAME	DATE
A1	NEW	xuxiaoyan	2007.10.15

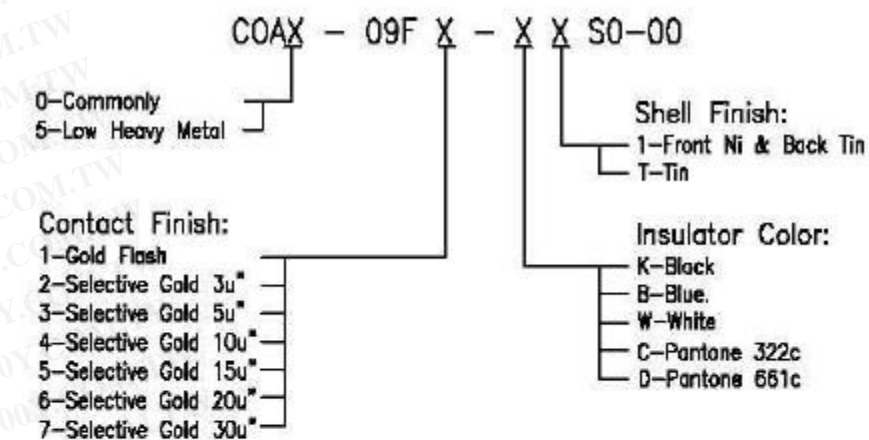
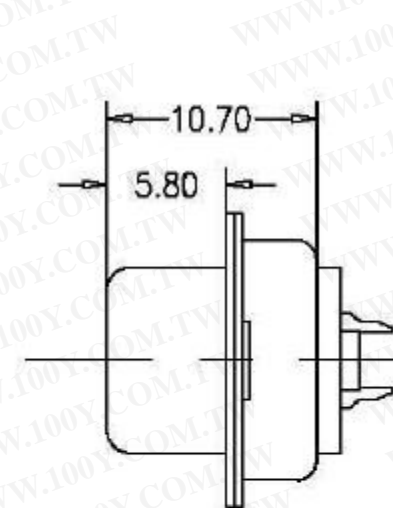
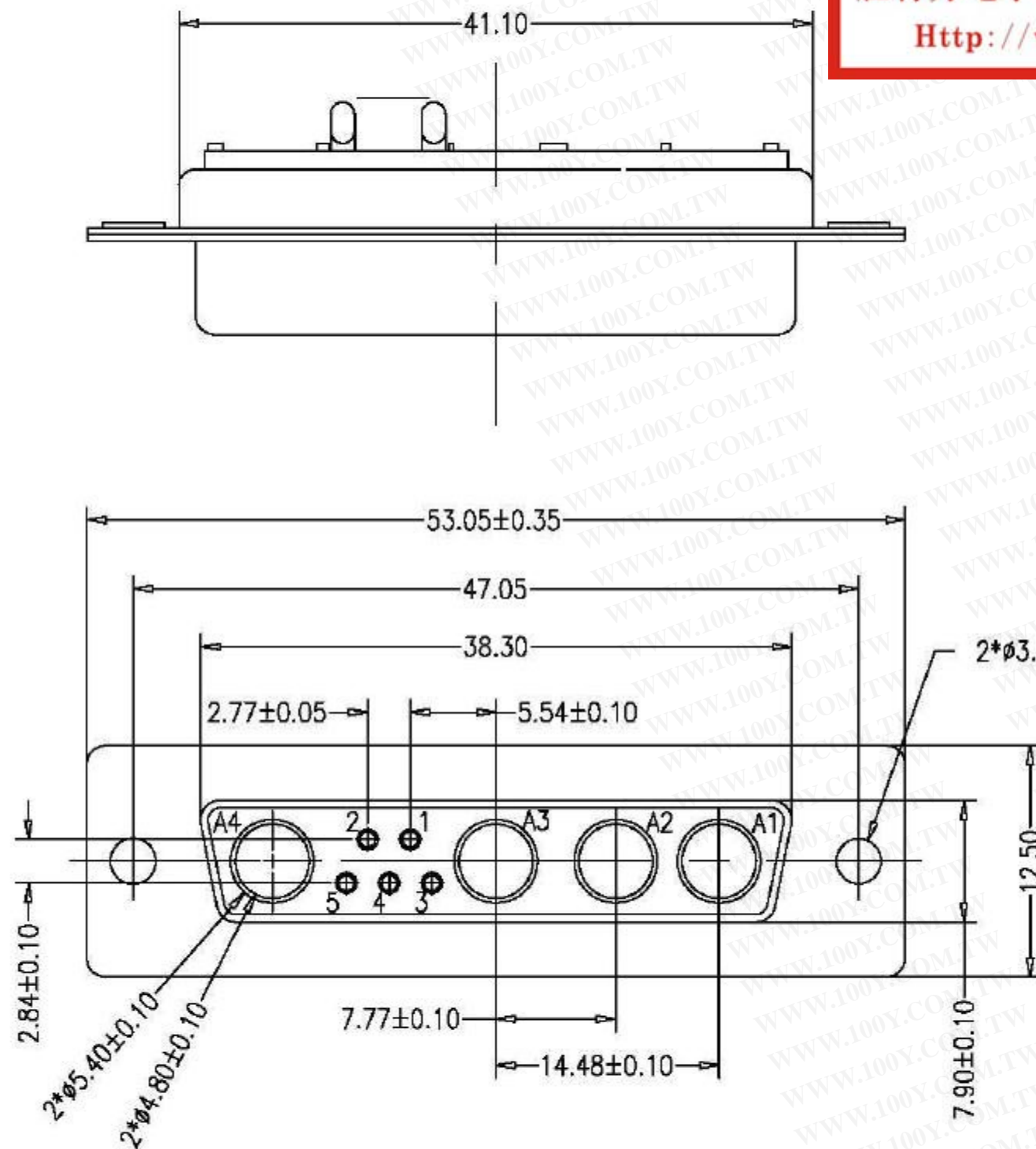
勝特力材料 886-3-5753170
 勝特力电子(上海) 86-21-34970699
 勝特力电子(深圳) 86-755-83298787
[Http://www.100y.com.tw](http://www.100y.com.tw)

ELECTRICAL CHARACTERISTICS:

Contact Current Rating: 1 Amp Max.
 Dielectric Withstanding Voltage: AC 1000V r.m.s.
 Insulation Resistance: 500 Megohms Minimum. at DC 500V.
 Contact Resistance: 25 Milliohms Maximum.
 Operating Temperature: -20°C to +85°C.

MATERIALS:

Contacts: Brass.
 Insulator: PBT, UL 94V-0 Rated.
 Shell: Cold Roller Steel.

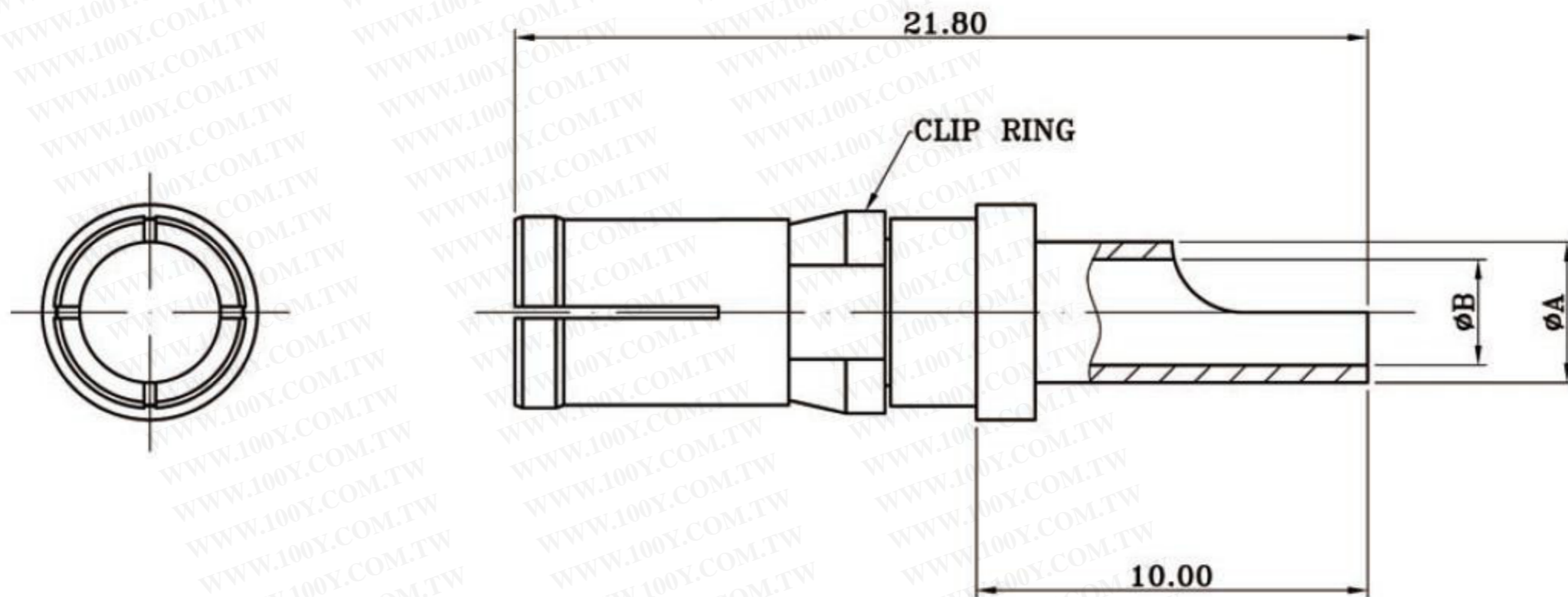


TOLERANCE UNSPECIFIED	
.0	±0.38
.00	±0.25
.000	±0.10
ANGLE	±3.00°
CUSTOMER	COPY

TITLE: 9W4 FEMALE SOLDER TYPE

DRAWN BY:	SIZE: A4	UNIT: mm	PART NO. COAX-09FX-XXSO-00	
CHECKED BY:	SCALE: 1:1	PROJECTION		REV.: A1
APPROVED BY:	DWG . PATH	E/COAX-09FX-XXSO-00	SHEET: 1 OF 1	

勝特力材料 886-3-5753170
 勝特力电子(上海) 86-21-34970699
 勝特力电子(深圳) 86-755-83298787
[Http://www.100y.com.tw](http://www.100y.com.tw)



40A	5.50	4.60
30A	4.40	3.50
20A	3.60	2.70
10A	2.50	1.70
CURRENT RATING	ϕA	ϕB

REV		CONTENTS		DATE		POWER 母 PIN			
DRAWN		CHKD		HAO					
APPD		MATERIAL		JORDAN		SCALE		5:1	
FINISH		UNITS		mm		DATE		2009/01/09	
TOLERANCES		X. ±0.20		.X ±0.10		.XX ±0.05		.XXX ±0.03	
X*. ±0.20		.X* ±0.10		.XX* ±0.05		.XXX* ±0.03			