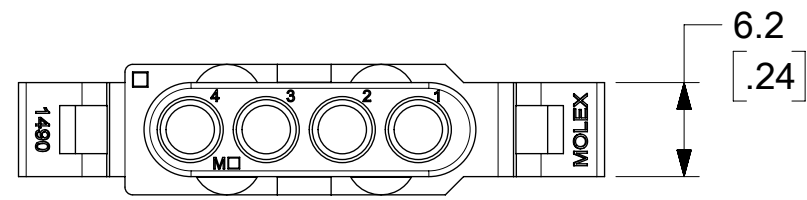
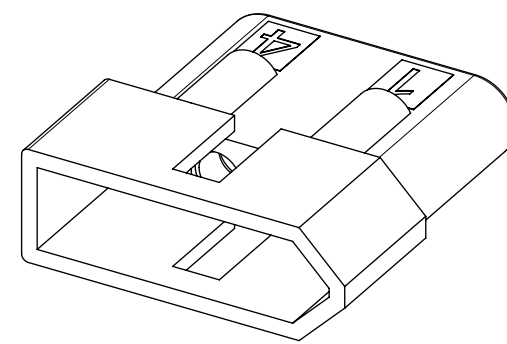
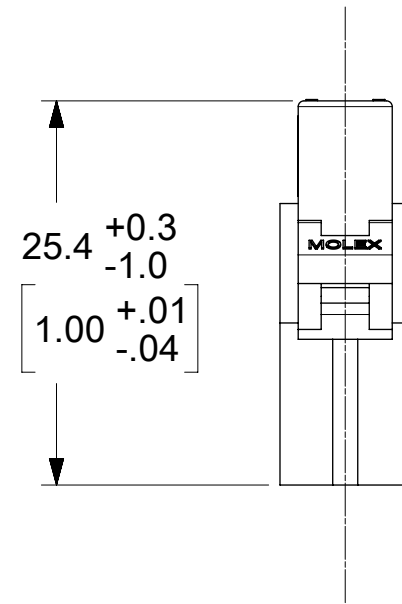
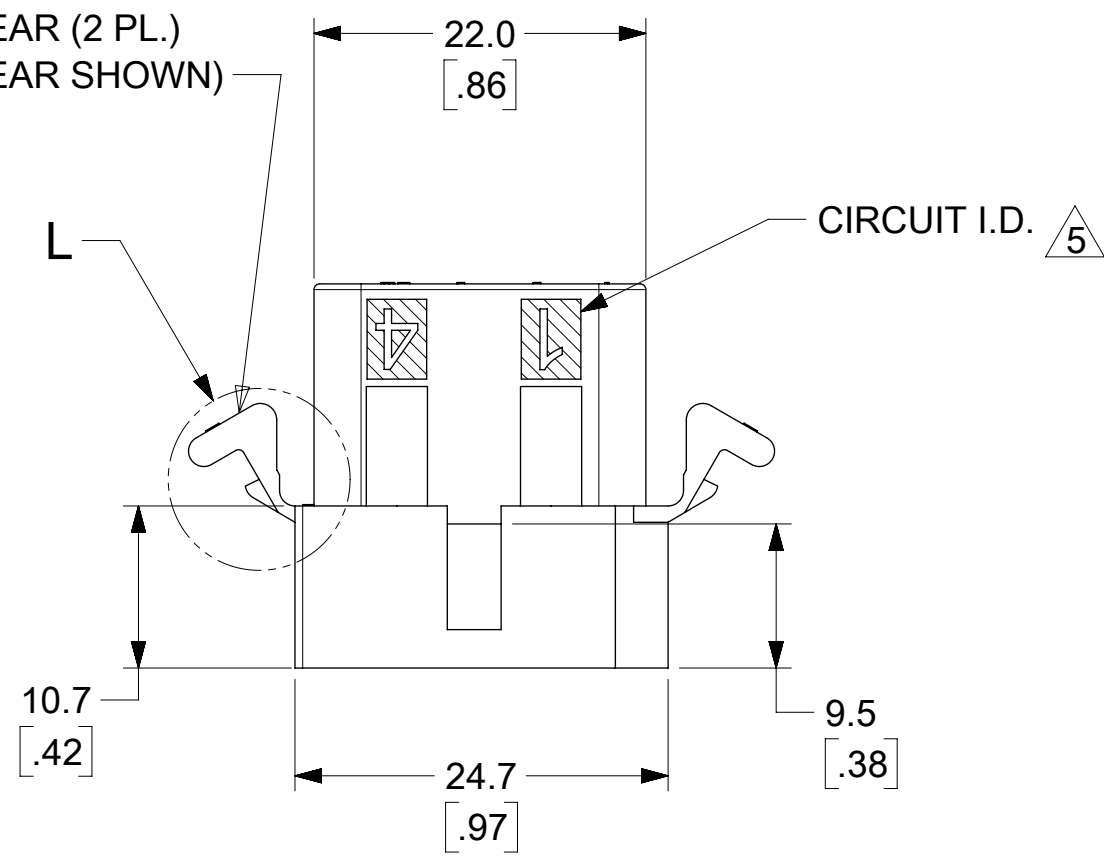


PLUG

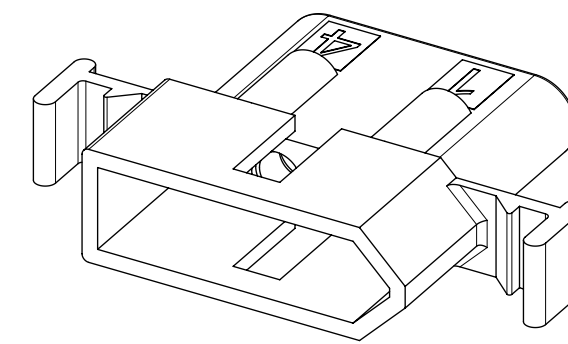
勝特力電材超市-龍山店 886-3-5773766
 勝特力電材超市-光復店 886-3-5729570
 勝特力電子(上海) 86-21-34970699
 勝特力電子(深圳) 86-755-83298787
<https://www.100y.com.tw>



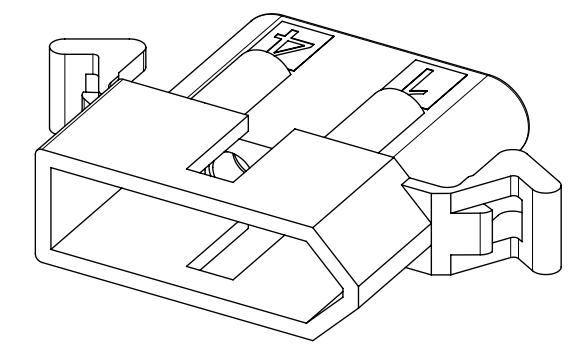
OPTIONAL MOUNTING EAR (2 PL.)
(PREBENT MOUNTING EAR SHOWN)
SEE DETAIL K OR L



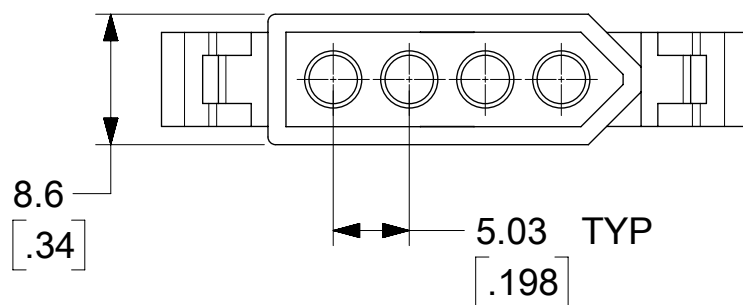
PLUG HOUSING WITHOUT EARS



PLUG HOUSING WITH STANDARD EARS



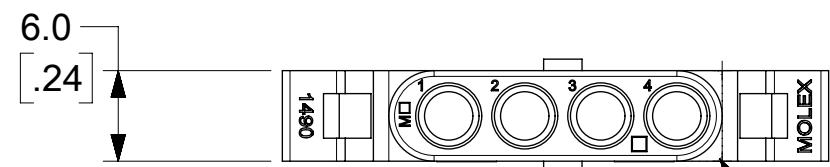
PLUG HOUSING WITH PREBENT EARS



SYMBOLS	THIS DRAWING CONTAINS INFORMATION THAT IS PROPRIETARY TO MOLEX ELECTRONIC TECHNOLOGIES, LLC AND SHOULD NOT BE USED WITHOUT WRITTEN PERMISSION											
	DIMENSION UNITS		SCALE		CURRENT REV DESC: ADD CAVITY ID							
∇ = 0	MM/IN		2:1									
∇ = 0	GENERAL TOLERANCES (UNLESS SPECIFIED)											
∇ = 0			MM	INCH	EC NO: 173421						14900000-SD	
S = 0	4 PLACES	±			DRWN: MKIPPER 2018/03/07							
∇ = 0	3 PLACES	±		± 0.01	CHK'D: JBELL 2018/03/12						PRODUCT CUSTOMER DRAWING	
∇ = 0	2 PLACES	±	0.25	± 0.014	APPR: FSMITH 2018/03/16							
∇ = 0	1 PLACE	±	0.35	±	INITIAL REVISION:						DOCUMENT NUMBER: 14900000-SD	
∇ = 0	0 PLACES	±			DRWN: CSLAFTER 2017/01/17							
∇ = 0			ANGULAR TOL ± 0.5°		APPR: FSMITH 2017/01/29						DOC PART: 000	
∇ = 0	DRAFT WHERE APPLICABLE MUST REMAIN WITHIN DIMENSIONS				THIRD ANGLE PROJECTION		DRAWING		SERIES			
∇ = 0							C-SIZE		1490			

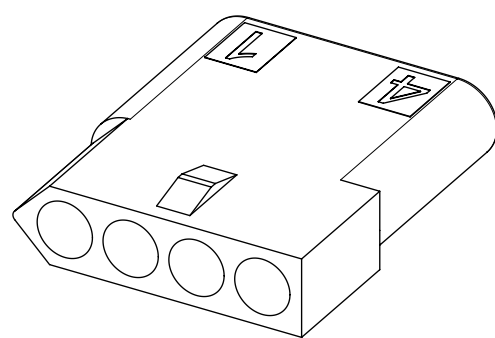
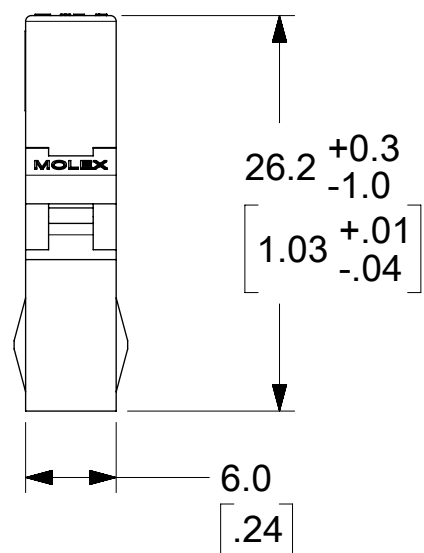
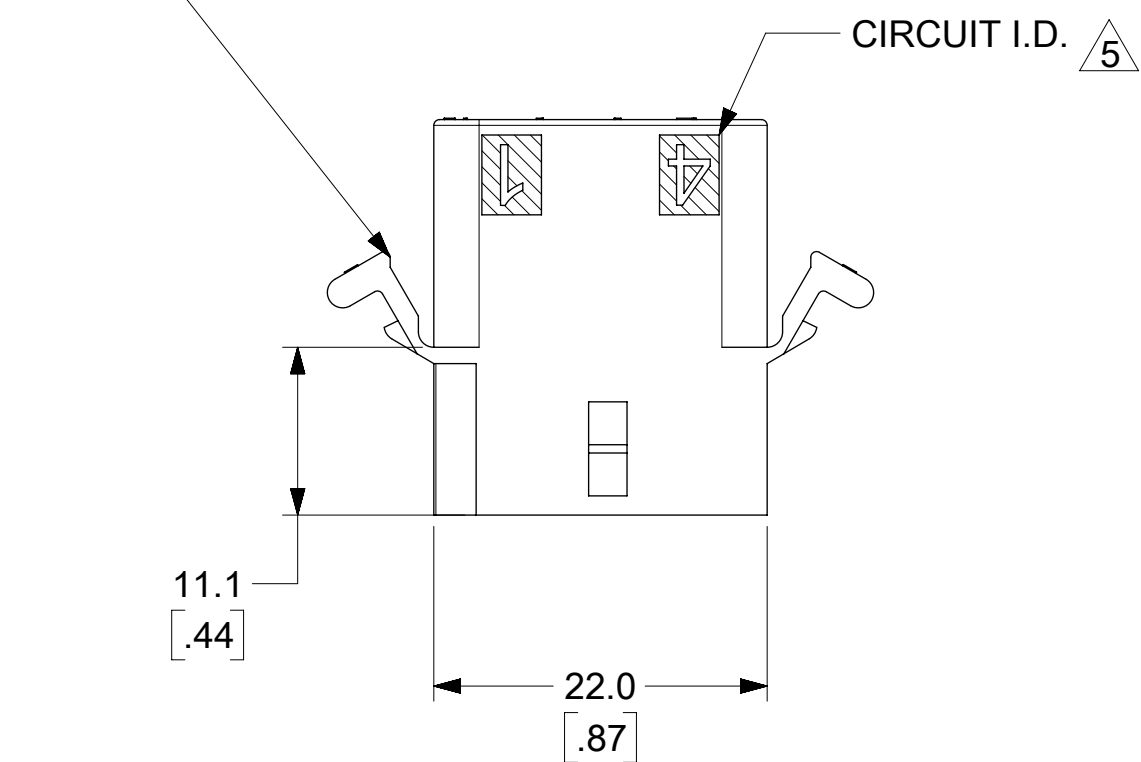
RECEPTACLE

勝特力電材超市-龍山店 886-3-5773766
 勝特力電材超市-光復店 886-3-5729570
 勝特力電子(上海) 86-21-34970699
 勝特力電子(深圳) 86-755-83298787
<https://www.100y.com.tw>

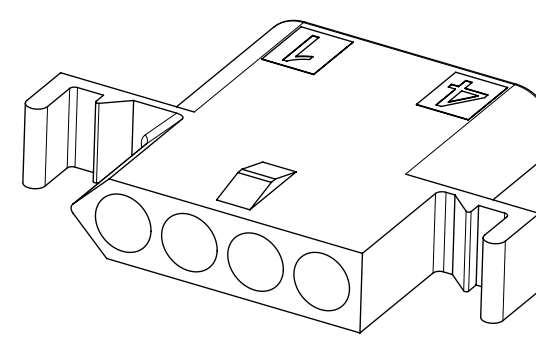


HOUSING MAY HAVE FULL RADIUS OR RADIUS CORNERS.

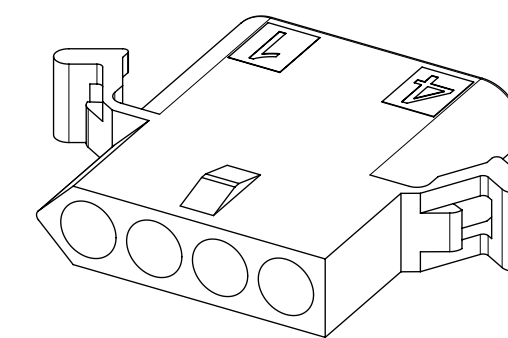
OPTIONAL MOUNTING EAR (2 PL.)
(PREBENT MOUNTING EAR SHOWN)
SEE DETAIL K OR L



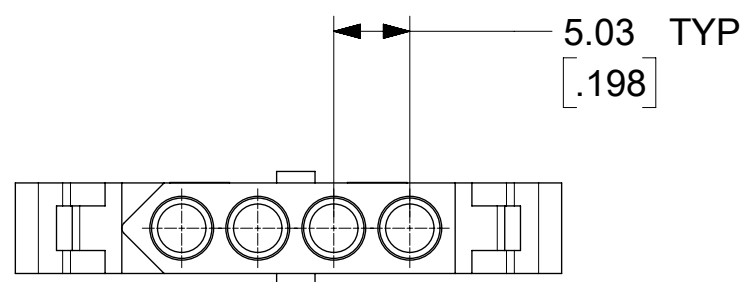
RECEPTACLE HOUSING WITHOUT EARS



RECEPTACLE HOUSING WITH STANDARD EARS



RECEPTACLE HOUSING WITH PREBENT EARS



SYMBOLS	THIS DRAWING CONTAINS INFORMATION THAT IS PROPRIETARY TO MOLEX ELECTRONIC TECHNOLOGIES, LLC AND SHOULD NOT BE USED WITHOUT WRITTEN PERMISSION													
	DIMENSION UNITS		SCALE		CURRENT REV DESC: ADD CAVITY ID									
△ = 0	MM/IN		2:1		EC NO: 173421 DRWN: MKIPPER 2018/03/07 CHK'D: JBELL 2018/03/12 APPR: FSMITH 2018/03/16									
▽ = 0	GENERAL TOLERANCES (UNLESS SPECIFIED)													
△ = 0	4 PLACES ±		±		INITIAL REVISION: DRWN: CSLAFTER 2017/01/17 APPR: FSMITH 2017/01/29					PRODUCT CUSTOMER DRAWING				
▽ = 0	3 PLACES ±		± 0.01							DOCUMENT NUMBER			DOC TYPE	DOC PART
△ = 0	2 PLACES ±		± 0.25 ± 0.014		14900000-SD			PSD	000	A1				
▽ = 0	1 PLACE ±		± 0.35 ±		MATERIAL NUMBER			CUSTOMER		SHEET NUMBER				
△ = 0	0 PLACES ±		±		SEE CHART			GENERAL MARKET		2 OF 3				
▽ = 0	DRAFT WHERE APPLICABLE MUST REMAIN WITHIN DIMENSIONS				THIRD ANGLE PROJECTION		DRAWING	SERIES						
△ = 0					C-SIZE		1490							

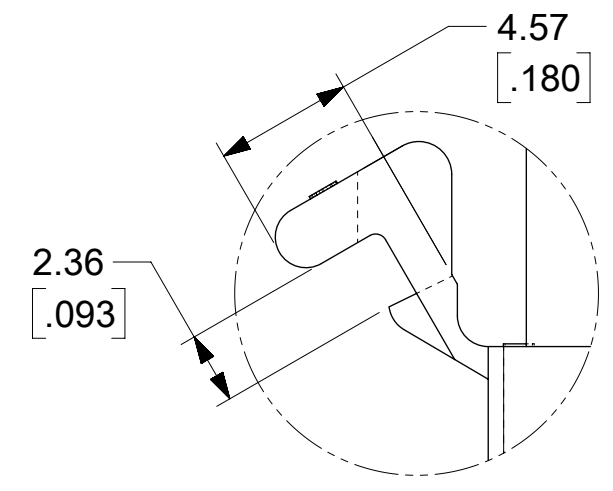
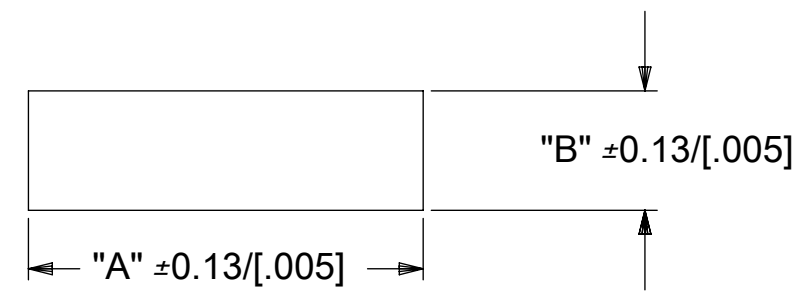
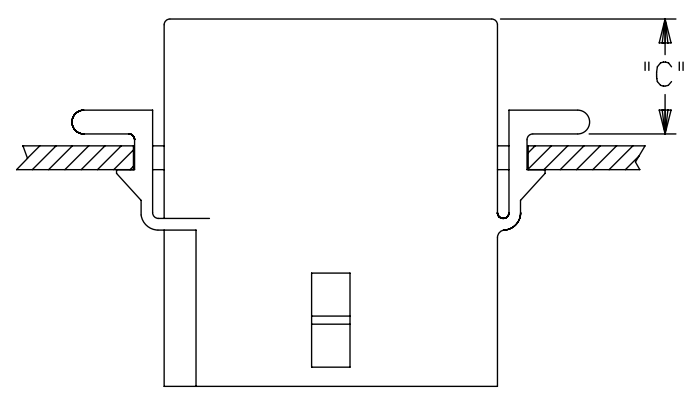
PLUG		RECEPTACLE	
PART NO.	ENG. NO.	PART NO.	ENG. NO.
03-09-2041	1490-P	03-09-1041	1490-R
03-09-2042	1490-P1	03-09-1042	1490-R1
46999-0811	1490-P2	03-09-1043	1490-R2

LEGEND

1490 - ***
P = PLUG
R = RECEPTACLE

BLANK = WITH STANDARD EARS
1 = WITHOUT EARS
2 = WITH PREBENT EARS, PER DETAIL L

COLOR: BLANK = NATURAL COLOR
AM = AMBER BK = BLACK BU = BLUE
BN = BROWN GY = GRAY GN = GREEN
OR = ORANGE RD = RED YW = YELLOW

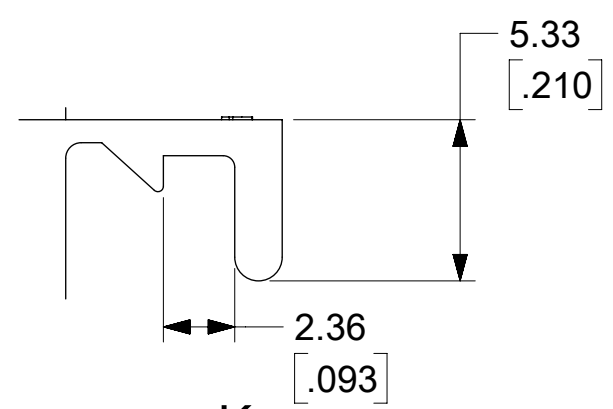
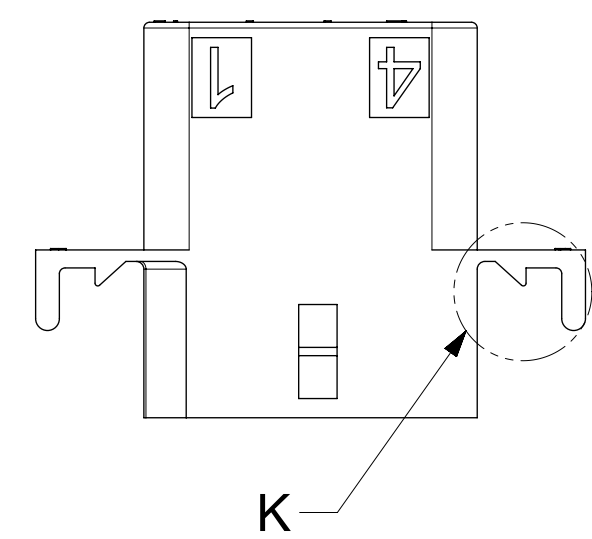


DETAIL L
SCALE 4:1
2.36/[0.093] PREBENT MOUNTING EAR

HOUSING	DIMENSION "A"	DIMENSION "B"	DIMENSION "C"
PLUG	28.73/[1.131]	9.52/[0.375]	9.1/[0.36]
RECEPTACLE	26.36/[1.038]	7.92/[0.312]	9.4/[0.37]

勝特力電材超市-龍山店 886-3-5773766
勝特力電材超市-光復店 886-3-5729570
勝特力电子(上海) 86-21-34970699
勝特力电子(深圳) 86-755-83298787
<https://www.100y.com.tw>

- NOTES:
- MATERIAL: NYLON 6/6 94V-2, COLOR: SEE LEGEND
 - FINISH: NOT APPLICABLE
 - PRODUCT SPECIFICATION: PS-43660-9999
 - PACKAGING SPECIFICATION: PK-1490-001
 - ETCHED CIRCUIT I.D. NUMBERS ON HOUSING SIDE MAY OR MAY NOT BE PRESENT.
 - PARTS CONFORM TO CLASS B REQUIREMENTS OF COSMETIC SPECIFICATION PS-45499-002.
 - TEXT ON PART IS FOR REFERENCE ONLY. TEXT AND TEXT LOCATION MAY VARY DEPENDING ON PART NUMBER AND/OR TOOLING.
 - THIS DRAWING REPLACES SD-1490-*



DETAIL K
SCALE 4:1
2.36/(.093) STANDARD MOUNTING EAR

SYMBOLS	THIS DRAWING CONTAINS INFORMATION THAT IS PROPRIETARY TO MOLEX ELECTRONIC TECHNOLOGIES, LLC AND SHOULD NOT BE USED WITHOUT WRITTEN PERMISSION									
	DIMENSION UNITS		SCALE		CURRENT REV DESC: ADD CAVITY ID					
	MM/IN		2:1		molex .093/(2.36) HOUSINGS PLUG AND RECEPTACLE PRODUCT CUSTOMER DRAWING					
	GENERAL TOLERANCES (UNLESS SPECIFIED)									
▽ = 0	4 PLACES	±	±	EC NO: 173421	DRWN: MKIPPER 2018/03/07 CHK'D: JBELL 2018/03/12 APPR: FSMITH 2018/03/16					
▽ = 0	3 PLACES	±	± 0.01							
▽ = 0	2 PLACES	± 0.25	± 0.014	INITIAL REVISION:	DOCUMENT NUMBER: 14900000-SD DOC TYPE: PSD DOC PART: 000 REVISION: A1					
▽ = 0	1 PLACE	± 0.35	±	DRWN: CSLAFTER 2017/01/17						
□ = 0	0 PLACES	±	±	APPR: FSMITH 2017/01/29	MATERIAL NUMBER: SEE CHART CUSTOMER: GENERAL MARKET SHEET NUMBER: 3 OF 3					
■ = 0	ANGULAR TOL ± 0.5 °			THIRD ANGLE PROJECTION						DRAWING: C-SIZE
▽ = 0	DRAFT WHERE APPLICABLE MUST REMAIN WITHIN DIMENSIONS									