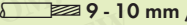

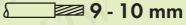
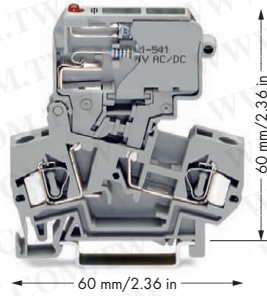


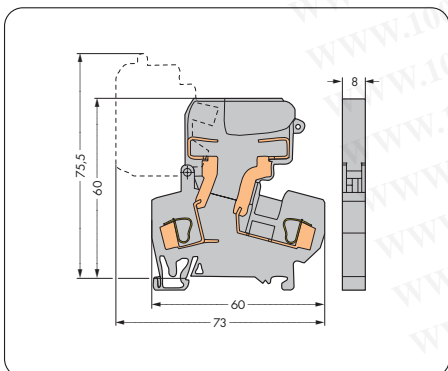
Fuse Disconnect Terminal Blocks with Pivoting Fuse Holder 4 mm² for Miniature Metric Fuses 5 x 20 mm, 5 x 25 mm and 5 x 30 mm 281 Series

勝特力材料 886-3-5753170
 勝特力电子(上海) 86-21-34970699
 勝特力电子(深圳) 86-755-83298787
[Http://www.100y.com.tw](http://www.100y.com.tw)

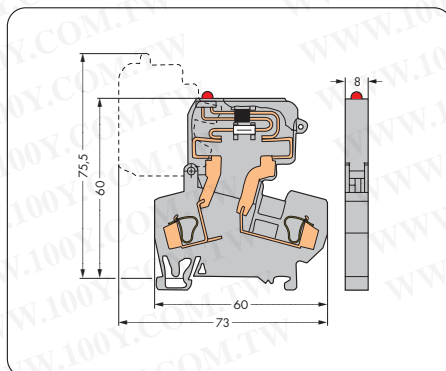
0.08 - 4 mm ² 800 V/8 kV/3 ① ② I _N 10 A AWG 28 - 12 600 V, 10 A ⑤ 600 V, 10 A ⑥ Terminal block width 8 mm / 0.315 in  9 - 10 mm / 0.37 in ③	0.08 - 4 mm ² 800 V/8 kV/3 ① ② I _N 10 A AWG 28 - 12 15 V, 10 A ⑤ 230 V, 10 A ⑥ Terminal block width 8 mm / 0.315 in  9 - 10 mm / 0.37 in ③	0.08 - 4 mm ² 800 V/8 kV/3 ① ② I _N 10 A AWG 28 - 12 110 V, 10 A ⑤ 230 V, 10 A ⑥ Terminal block width 8 mm / 0.315 in  9 - 10 mm / 0.37 in ③
--	--	---



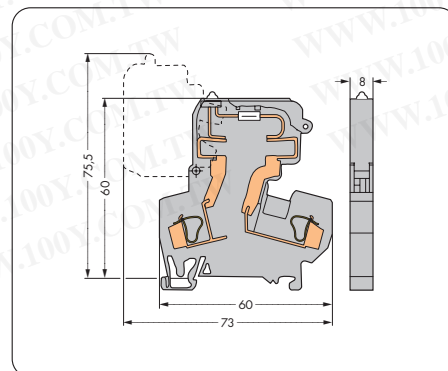
Item No.	Pack. Unit	Item No.	Pack. Unit	Item No.	Pack. Unit
Fuse disconnect terminal block with pivoting fuse holder, for miniature metric fuses 5 x 20 mm, without blown fuse indication, Nominal voltage and current are determined by the fuse.		Fuse disconnect terminal block with pivoting fuse holder, for miniature metric fuses 5 x 20 mm, with blown fuse indication by LED, gray, Nominal voltage and current given by the LED or fuse. Leakage current in case of blown fuse: LED 6 mA		Fuse disconnect terminal block with pivoting fuse holder, for miniature metric fuses 5 x 20 mm, with blown fuse indication by neon lamp, gray, Nominal voltage and current given by the LED or fuse. Leakage current in case of blown fuse: Neon lamp < 0.4 mA	
gray	281-611 50	15 - 30 V	281-611/281-541 50	230 V	281-611/281-417 50
orange	281-616 50	30 - 65 V	281-611/281-542 50	120 V	281-611/281-418 50
Fuse disconnect terminal block with pivoting fuse holder, for miniature metric fuses 5 x 25 mm, without blown fuse indication, Nominal voltage and current are determined by the fuse.		Fuse disconnect terminal block with pivoting fuse holder, for miniature metric fuses 5 x 25 mm, with blown fuse indication by LED, gray, Nominal voltage and current given by the LED or fuse. Leakage current in case of blown fuse: LED 6 mA		Fuse disconnect terminal block with pivoting fuse holder, for miniature metric fuses 5 x 25 mm, with blown fuse indication by neon lamp, gray, Nominal voltage and current given by the LED or fuse. Leakage current in case of blown fuse: Neon lamp < 0.4 mA	
gray	281-612 50	15 - 30 V	281-612/281-541 50	230 V	281-612/281-417 50
		30 - 65 V	281-612/281-542 50	120 V	281-612/281-418 50
Fuse disconnect terminal block with pivoting fuse holder, for miniature metric fuses 5 x 30 mm, without blown fuse indication, Nominal voltage and current are determined by the fuse.		Fuse disconnect terminal block with pivoting fuse holder, for miniature metric fuses 5 x 30 mm, with blown fuse indication by LED, gray, Nominal voltage and current given by the LED or fuse. Leakage current in case of blown fuse: LED 6 mA		Fuse disconnect terminal block with pivoting fuse holder, for miniature metric fuses 5 x 30 mm, with blown fuse indication by neon lamp, gray, Nominal voltage and current given by the LED or fuse. Leakage current in case of blown fuse: Neon lamp < 0.4 mA	
gray	281-622 50	15 - 30 V	281-622/281-541 50	230 V	281-622/281-417 50
		30 - 65 V	281-622/281-542 50	120 V	281-622/281-418 50
Miniature metric fuse on request		Miniature metric fuse on request		Miniature metric fuse on request	



Dimensions in mm



Dimensions in mm

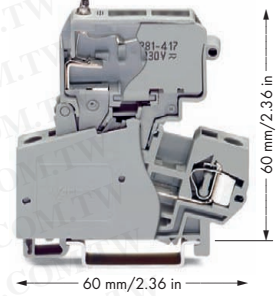
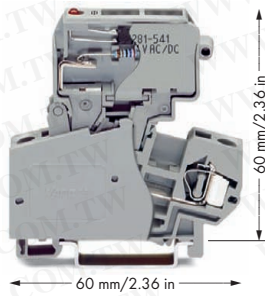
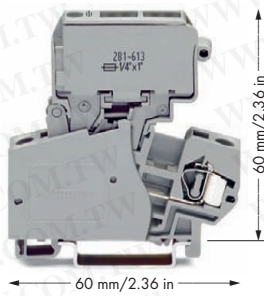


Dimensions in mm

Fuse Disconnect Terminal Blocks with Pivoting Fuse Holder 4 mm² for Miniature Metric Fuses 1/4" x 1" mm and 1/4" x 1 1/4" mm

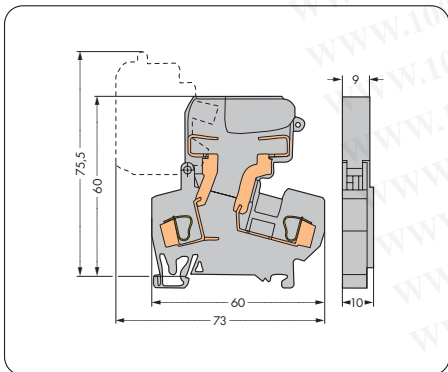
281 Series

<p>0.08 - 4 mm² 800 V/8 kV/3 ① ② I_N 10 A</p> <p>AWG 28 - 12 600 V, 10 A ③ 600 V, 10 A ④</p> <p>Terminal block width 10 mm / 0.394 in 9 - 10 mm / 0.37 in ③</p>	<p>0.08 - 4 mm² 800 V/8 kV/3 ① ② I_N 10 A</p> <p>AWG 28 - 12 15 V, 10 A ③ 15 V, 10 A ④</p> <p>Terminal block width 10 mm / 0.394 in 9 - 10 mm / 0.37 in ③</p>	<p>0.08 - 4 mm² 800 V/8 kV/3 ① ② I_N 10 A</p> <p>AWG 28 - 12 110 V, 10 A ③ 110 V, 10 A ④</p> <p>Terminal block width 10 mm / 0.394 in 9 - 10 mm / 0.37 in ③</p>
--	--	--

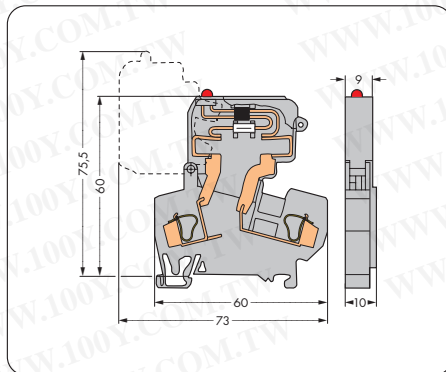


Item No.	Pack. Unit	Item No.	Pack. Unit	Item No.	Pack. Unit
Fuse disconnect terminal block with pivoting fuse holder, for miniature fuses 1/4" x 1", without blown fuse indication, Nominal voltage and current are determined by the fuse.		Fuse disconnect terminal block with pivoting fuse holder, for miniature fuses 1/4" x 1", with blown fuse indication by LED, gray, Nominal voltage and current given by the LED or fuse. Leakage current in case of blown fuse: LED 6 mA		Fuse disconnect terminal block with pivoting fuse holder, for miniature fuses 1/4" x 1", with blown fuse indication by neon lamp, gray, Nominal voltage and current given by the LED or fuse. Leakage current in case of blown fuse: Neon lamp < 0.4 mA	
gray	281-613 50	15 - 30 V	281-613/281-541 50	230 V	281-613/281-417 50
		30 - 65 V	281-613/281-542 50	120 V	281-613/281-418 50
Fuse disconnect terminal block with pivoting fuse holder, for miniature fuses 1/4" x 1 1/4", without blown fuse indication, Nominal voltage and current are determined by the fuse.		Fuse disconnect terminal block with pivoting fuse holder, for miniature fuses 1/4" x 1 1/4", with blown fuse indication by LED, gray, Nominal voltage and current given by the LED or fuse. Leakage current in case of blown fuse: LED 6 mA		Fuse disconnect terminal block with pivoting fuse holder, for miniature fuses 1/4" x 1 1/4", with blown fuse indication by neon lamp, gray, Nominal voltage and current given by the LED or fuse. Leakage current in case of blown fuse: Neon lamp < 0.4 mA	
gray	281-623 50	15 - 30 V	281-623/281-541 50	230 V	281-623/281-417 50
		30 - 65 V	281-623/281-542 50	120 V	281-623/281-418 50
Miniature metric fuse on request		Miniature metric fuse on request		Miniature metric fuse on request	

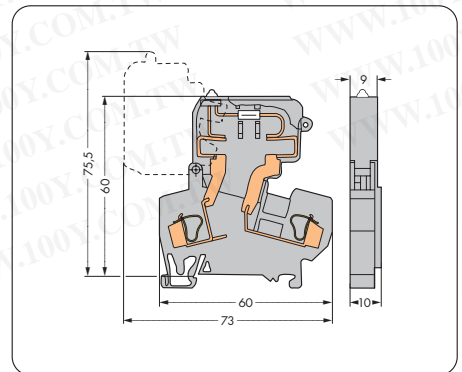
勝特力材料 886-3-5753170
 勝特力电子(上海) 86-21-34970699
 勝特力电子(深圳) 86-755-83298787
[Http://www.100y.com.tw](http://www.100y.com.tw)



Dimensions in mm



Dimensions in mm

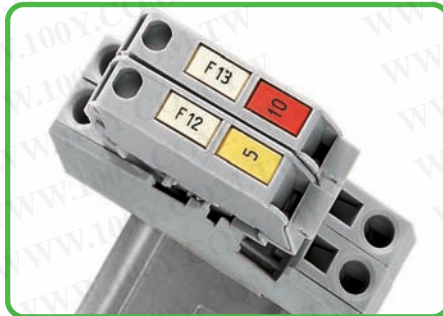


Dimensions in mm

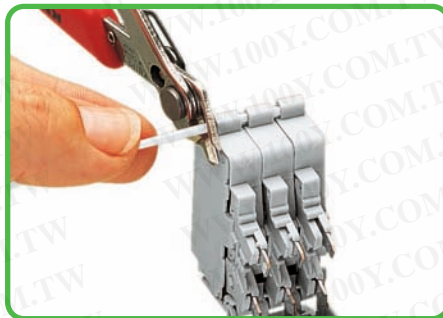
勝特力材料 886-3-5753170
 勝特力电子(上海) 86-21-34970699
 勝特力电子(深圳) 86-755-83298787
 Http://www.100y.com.tw



A spacer is standard equipment for 10 mm/0.394 in wide fuse terminal blocks. At the end of an assembly, or if there is **no** adjacent fuse terminal block, an end or intermediate plate must be used.



Two marker slots each per fuse holder are available for individual WMB Multi marking. (example: 8 mm/0.315 in terminal blocks).













Ganging several fuse holders with a connecting strip (example: 8 mm/0.315 in terminal blocks).

- ① 800 V = rated voltage
 8 kV = rated surge voltage
 3 = pollution degree
 (also see Section 14)
- ② Electrical ratings are given by the fuse (also see pages 192 - 193).
- ③ Strip length, see packaging or instructions.

281 Series Accessories

Appropriate marking system:
 WMB (see Section 13)

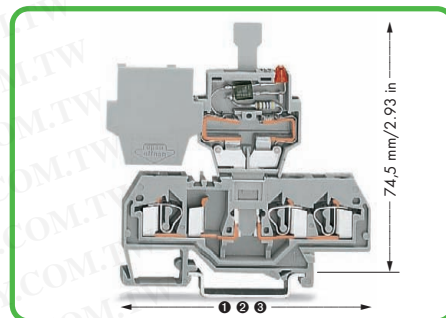
End and intermediate plate, 2.5 mm thick			
	orange	281-309	100 (4x25)
	gray	281-311	100 (4x25)
Adjacent jumper, insulated,			
	$I_N = I_N$ terminal block		
	gray	281-402	200 (8x25)
Collective carrier for adjacent jumpers			
	gray	209-100	50 (2x25)
Test plug adapter, 5 mm wide,			
	for terminal blocks 1.5 - 4 mm ² , for 210-137 test plug 2.3 mm Ø		
	gray	280-404	100 (4x25)
Test plug,			
	with 500 mm/17.7 in cable, 2.3 mm Ø		
	yellow	210-137	50
Test plug adapter, 6 mm wide,			
	with CAGE CLAMP®, for 0.08 - 2.5 mm ²		
	I_N 24 A	281-407	100 (4x25)
Push-in type wire jumper,			
	insulated, I_N 9 A, wire size 0.75 mm ²		
	60 mm	249-125	10
	110 mm	249-126	10
	250 mm	249-127	10
Connecting strip,			
	for connecting links or fuse holders, 1 m/3'3" long		
	transparent	210-254	1
Screwless end stop,			
	for DIN 35 rail, 6 mm/0.236 in wide		
	gray	249-116	100 (4x25)
Screwless end stop,			
	for DIN 35 rail, 10 mm/0.394 in wide		
	gray	249-117	50 (2x25)

Fuse Plugs on Carrier Terminal Blocks 4 mm² 281 Series

勝特力材料 886-3-5753170
 勝特力电子(上海) 86-21-34970699
 勝特力电子(深圳) 86-755-83298787
[Http://www.100y.com.tw](http://www.100y.com.tw)

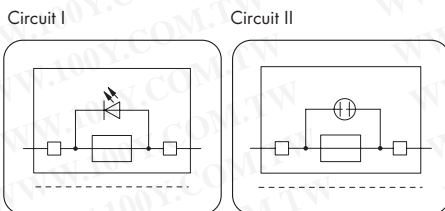
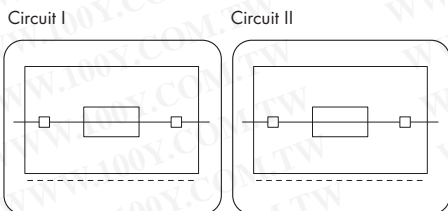
Fuse plug with pull-tab for miniature metric fuses 5 x 20 mm and 5 x 25 mm
 250 V / I_N 6.3 A ④
 Plug width 6 mm / 0.236 in

Fuse plug with pull-tab for miniature metric fuses 5 x 20 mm and 5 x 25 mm
 250 V / I_N 6.3 A ④
 Plug width 6 mm / 0.236 in



Dimensions of carrier terminal blocks with fuse plug
 ① 59 mm / 2.32 in for 281-916
 ② 73.5 mm / 2.89 in for 281-610
 ③ 86 mm / 3.39 in for 281-656

For terminal blocks with side marking, see www.wagocatalog.com



Accessories

4-conductor carrier terminal block,
 ③ 0.08 - 4 mm² / AWG 28 - 12,
 Terminal block width 6 mm / 0.236 in
 gray **281-656** 50

End and intermediate plate, 2.5 mm thick
 orange **281-335** 100 (4x25)
 gray **281-334** 100 (4x25)

Comb-style jumper bar, insulated,
 I_N = I_N terminal block
 2-way **281-482** 100 (4x25)
 3-way **281-483** 100 (4x25)
 5-way **281-485** 100 (4x25)
 10-way **281-490** 50 (2x25)

Alternate comb-style jumper bar,
 insulated,
 I_N = I_N terminal block
 2-way **281-492** 100 (4x25)

Operating tool, insulated
 2-way **280-432** 1
 3-way **280-433** 1
 5-way **281-440** 1

WSB Quick marking system,
 10 strips with 10 markers per card,
 WSB Markers 4 mm wide
 plain **209-701** 5

WSB Quick marking system, plain,
 10 strips with 10 markers per card,
 WSB Markers 4 mm wide
 yellow **209-701/000-002**
 red **209-701/000-005**
 blue **209-701/000-006**
 gray **209-701/000-007**
 orange **209-701/000-012**
 light green **209-701/000-017**
 green **209-701/000-023**
 violet **209-701/000-024**

Shorting link, 5 x 20 mm,
 if the fuse plug is used as disconnect plug
 I_N 6.3 A **281-503** 250 (10x25)

Item No.	Pack. Unit	Item No.	Pack. Unit
Fuse plug with pull-tab, for miniature metric fuses 5 x 20 mm and 5 x 25 mm, Nominal voltage and current are determined by the fuse. 6 mm wide, gray		Fuse plug with pull-tab, for miniature metric fuses 5 x 20 mm and 5 x 25 mm, with LED indicator, AC/DC 24 V, Nominal voltage and current given by the LED or fuse. Leakage current in case of blown fuse: 5 - 20 mA, 6 mm wide, gray	
Circuit I 281-511 50		Circuit I 281-512/281-501 50	
Fuse plug with pull-tab, for miniature metric fuses 5 x 20 mm and 5 x 25 mm, with hole for one LED (for self-assembly), Nominal voltage and current given by the LED or fuse. 6 mm wide, gray		Fuse plug with pull-tab, for miniature metric fuses 5 x 20 mm and 5 x 25 mm, with neon lamp AC/DC 120 V, Nominal voltage and current given by the LED or fuse. Leakage current in case of blown fuse: Neon lamp < 0.4 mA, 6 mm wide, gray	
Circuit II 281-512 50		Circuit II 281-512/281-418 50	
		Fuse plug with pull-tab, for miniature metric fuses 5 x 20 mm and 5 x 25 mm, with neon lamp AC/DC 230 V, Nominal voltage and current given by the LED or fuse. Leakage current in case of blown fuse: Neon lamp < 0.4 mA, 6 mm wide, gray	
		Circuit II 281-512/281-417 50	

Accessories

Appropriate marking system: 4 mm wide WSB for plug and WMB for terminal block

2-conductor carrier terminal block, ① 0.08 - 4 mm ² / AWG 28 - 12, Terminal block width 6 mm / 0.236 in gray 281-916 50	3-conductor carrier terminal block, ② 0.08 - 4 mm ² / AWG 28 - 12, Terminal block width 6 mm / 0.236 in gray 281-610 50
End and intermediate plate, 2.5 mm thick orange 281-329 100 (4x25) gray 281-328 100 (4x25)	End and intermediate plate, 2.5 mm thick orange 281-326 100 (4x25) gray 281-324 100 (4x25)
Wire commoning chain, 50 connections, insulated, I _N 8 A black 210-103 1	Wire commoning chain, 50 connections, insulated, I _N 8 A blue 210-123 1