

# MULTI CONNECTION SYSTEM **MINI** – 100% Protected against Mismatching Double Deck Headers with Solder Pins; Male Connectors with **CAGE CLAMP®** connection, Pin Spacings 3.5 mm/0.138 in and 3.81 mm/0.15 in

Pin spacing 3.5 mm/0.138 in, light gray Pin spacing 3.81 mm/0.15 in, orange 250 V/2.5 kV/2 $I_N$ 10 A	Pin spacing 3.5 mm/0.138 in, light gray Pin spacing 3.81 mm/0.15 in, orange 0.08 – 1.5 mm <sup>2</sup> 250 V/2.5 kV/2 $I_N$ 10 A	Pin spacing 3.5 mm/0.138 in, light gray Pin spacing 3.81 mm/0.15 in, orange 0.08 – 1.5 mm <sup>2</sup> 250 V/2.5 kV/2 $I_N$ 10 A
300 V, 10 A 300 V, 10 A	AWG 28 – 14* 300 V, 10 A 300 V, 10 A	AWG 28 – 14* 300 V, 10 A 300 V, 10 A
<b>Approvals</b>	<b>Approvals</b>	<b>Approvals</b>

勝特力材料 886-3-5753170  
 勝特力电子(上海) 86-21-34970699  
 勝特力电子(深圳) 86-755-83298787  
[Http://www.100y.com.tw](http://www.100y.com.tw)

**CAGE CLAMP®**



一般型

可螺絲固定型

No. of poles	Item No.	No. of poles	Item No.	No. of poles	Item No.	No. of poles	Item No.	No. of poles	Item No.	No. of poles	Item No.
<b>Double deck header with support, 100% protected against mismatching, right angle solder pin, (1 x 1) mm/(0.039 x 0.039) in</b>				<b>Male connector with CAGE CLAMP®, 100% protected against mismatching</b>				<b>Male connector with CAGE CLAMP® and fixing flanges, 100% protected against mismatching</b>			
Pin spacing 3.5 mm/0.138 in		3.81 mm/0.15 in		Pin spacing 3.5 mm/0.138 in		3.81 mm/0.15 in		Pin spacing 3.5 mm/0.138 in		3.81 mm/0.15 in	
light gray		orange		light gray		orange		light gray		orange	
2	734-402/001-000	2	734-432/001-000	2	734-302	2	734-332	2	734-302/019-000	2	734-332/019-000
3	734-403/001-000	3	734-433/001-000	3	734-303	3	734-333	3	734-303/019-000	3	734-333/019-000
4	734-404/001-000	4	734-434/001-000	:	:	:	:	:	:	:	:
5	734-405/001-000	5	734-435/001-000	10	734-310	6	734-336	9	734-309/019-000	6	734-336/019-000
6	734-406/001-000	6	734-436/001-000	12	734-312	8	734-338	10	734-310/019-000	8	734-338/019-000
7	734-407/001-000	-	-	13	734-313	9	734-339	12	734-312/019-000	9	734-339/019-000
8	734-408/001-000	8	734-438/001-000	14	734-314	10	734-340	13	734-313/019-000	10	734-340/019-000
9	734-409/001-000	9	734-439/001-000	16	734-316	12	734-342	16	734-316/019-000	12	734-342/019-000
10	734-410/001-000	10	734-440/001-000	18	734-318	14	734-344	18	734-318/019-000	14	734-344/019-000
12	734-412/001-000	12	734-442/001-000	20	734-320	16	734-346	20	734-320/019-000	16	734-346/019-000
				24	734-324	20	734-350	24	734-324/019-000	20	734-350/019-000

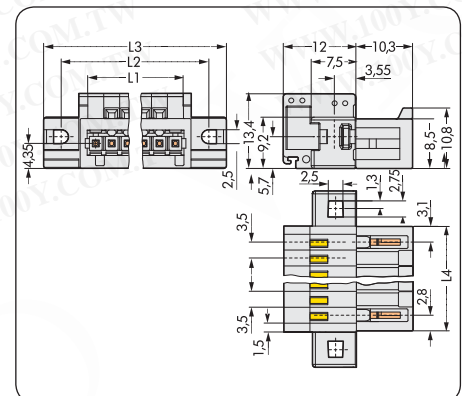
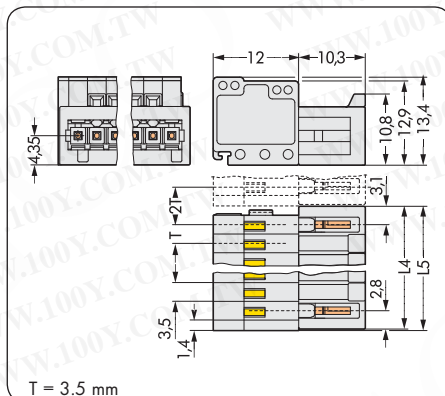
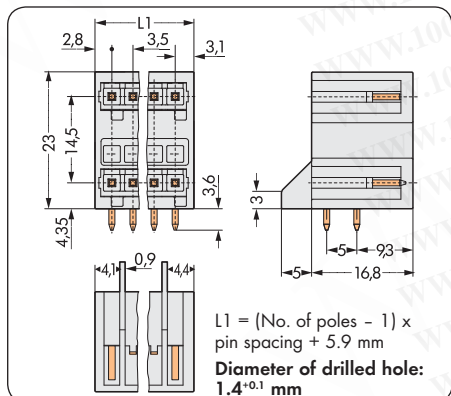
**Item-specific accessories**

	<b>Coding key, light gray,</b> to be snapped above <b>bottom</b> level <b>734-400</b>		<b>Operating lever,</b> for male connectors <b>734-230</b>		<b>Screw M 2 x 12 with nut,</b> for fixing element <b>231-195</b>
--	---	--	--	--	---

**Accessories, Series 734**

	<b>Coding key, light gray,</b> to be snapped above <b>top</b> level <b>734-130</b>		<b>Operating tool, with partially insulated shaft (2.5 x 0.4) mm/ (0.098 x 0.016) in</b> <b>210-619</b>		<b>Marker cards,</b> 80 self-adhesive strips per card, direct printing on request
<b>NOTE:</b> These connectors can only be mated and unmated at voltages below 42V and in the "no load" condition.  For mating and unmating at low power values, please request data.			<b>Test pin, Ø 1 mm/0.039 in</b> <b>735-500</b> Test wire for sold. onto test plug		<b>Strain relief plates,</b> see page 113
			Marking	1 - 16 (240x) Spac. 3.5 mm <b>210-332/0350-0202</b> 17 - 32 (240x) Spac. 3.5 mm <b>210-332/0350-0204</b> 1 - 16 (160x) Spac. 3.81 mm <b>210-332/0381-0202</b> 17 - 32 (160x) Spac. 3.81 mm <b>210-332/0381-0204</b>	

**Dimensions (in mm)**  $L_1 = \text{No. of poles} \times \text{pin spacing}$   $L_2 = L_1 + 8.8 \text{ mm}$   $L_3 = L_1 + 14.8 \text{ mm}$   $L_4 = (\text{No. of poles} - 1) \times \text{pin spacing} + 5.9 \text{ mm}$   $L_5 = L_4 + 0.45 \text{ mm}$



\* AWG 14: THHN, THWN

For technical explanations and abbreviations, see technical section.

