

MULTI CONNECTION SYSTEM **MINI** – 100% Protected against Mismatching, Female Connectors, Pin Spacings 3.5 mm/0.138 in and 3.81 mm/0.15 in

勝特力材料 886-3-5753170
 勝特力电子(上海) 86-21-34970699
 勝特力电子(深圳) 86-755-83298787
[Http://www.100y.com.tw](http://www.100y.com.tw)

Pin spacing 3.5 mm/0.138 in, light gray Pin spacing 3.81 mm/0.15 in, orange 0.08 – 1.5 mm ² AWG 28 – 14* 250 V/2.5 kV/2 300 V, 10 A I _N 10 A 300 V, 10 A	Pin spacing 3.5 mm/0.138 in, light gray Pin spacing 3.81 mm/0.15 in, orange 0.08 – 1.5 mm ² AWG 28 – 14* 250 V/2.5 kV/2 300 V, 10 A I _N 10 A 300 V, 10 A	Pin spacing 3.5 mm/0.138 in, light gray Pin spacing 3.81 mm/0.15 in, orange 0.2 – 1.5 mm ² AWG 24 – 14* 250 V/2.5 kV/2 300 V, 10 A I _N 10 A
① Approvals	① Approvals	① Approvals

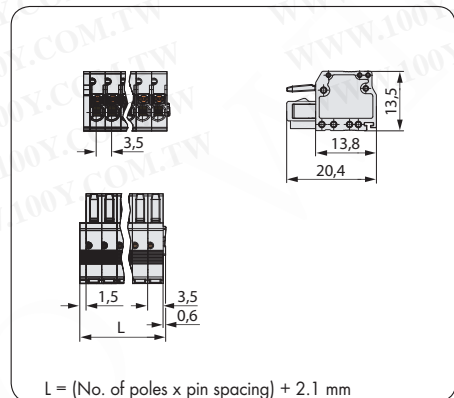
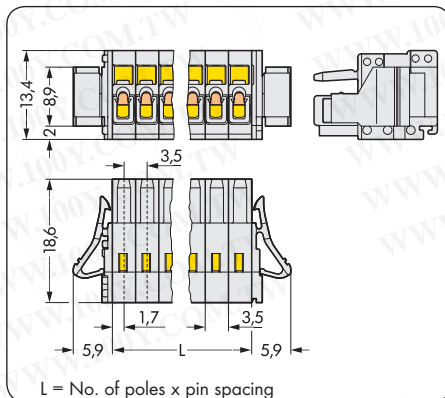
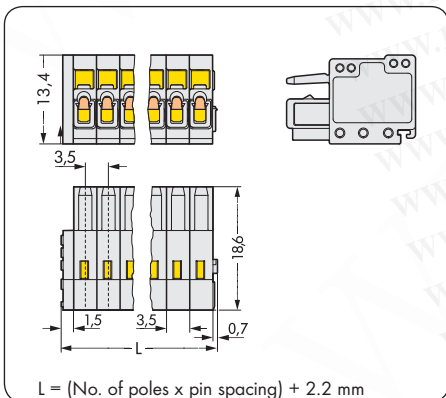


No. of poles	Item No.	No. of poles	Item No.	No. of poles	Item No.	No. of poles	Item No.	No. of poles	Item No.	No. of poles	Item No.
Female connector with CAGE CLAMP®, 100% protected against mismatching, with coding fingers				Female connector with CAGE CLAMP® and locking levers, 100 % protected against mismatching, with coding fingers				Female connector with CAGE CLAMP®S and integrated push-buttons, 100% protected against mismatching, with coding fingers,			
Pin spacing 3.5 mm/0.138 in		3.81 mm/0.15 in		Pin spacing 3.5 mm/0.138 in		3.81 mm/0.15 in		Pin spacing 3.5 mm/0.138 in		3.81 mm/0.15 in	
light gray		orange		light gray		orange		light gray		orange	
2	734-102	2	734-202	2	734-102/037-000	2	734-202/037-000	2	2734-102	2	2734-202
3	734-103	3	734-203	3	734-103/037-000	3	734-203/037-000	3	2734-103	3	2734-203
:	:	:	:	:	:	:	:	:	:	:	:
9	734-109	6	734-206	9	734-109/037-000	6	734-206/037-000	9	2734-109	6	2734-206
10	734-110	8	734-208	10	734-110/037-000	8	734-208/037-000	10	2734-110	8	2734-208
12	734-112	9	734-209	12	734-112/037-000	9	734-209/037-000	12	2734-112	9	2734-209
13	734-113	10	734-210	13	734-113/037-000	10	734-210/037-000	13	2734-113	10	2734-210
16	734-116	12	734-212	16	734-116/037-000	12	734-212/037-000	16	2734-116	12	2734-212
18	734-118	14	734-214	18	734-118/037-000	14	734-214/037-000	18	2734-118	14	2734-214
20	734-120	16	734-216	20	734-120/037-000	16	734-216/037-000	20	2734-120	16	2734-216
24	734-124	20	734-220	24	734-124/037-000	20	734-220/037-000	24	2734-124	20	2734-220

Item-specific accessories	
	Operating lever, for male and female connectors 734-230

Accessories, Series 734 and 2734			
	Operating tool, with partially insulated shaft (2.5 x 0.4) mm/ (0.098 x 0.016) in 210-619		Marker cards, 80 self-adhesive strips per card, direct printing on request
	Test pin, Ø 1 mm/0.039 in, test wire for sold. onto test plug 735-500		Marking
	Strain relief plates, see page 113	1 - 16 (240x) Spac. 3.5 mm	210-332/0350-0202
		17 - 32 (240x) Spac. 3.5 mm	210-332/0350-0204
		1 - 16 (160x) Spac. 3.81 mm	210-332/0381-0202
		17 - 32 (160x) Spac. 3.81 mm	210-332/0381-0204

Dimensions (in mm)



① Approvals are available online at: www.wago.com.