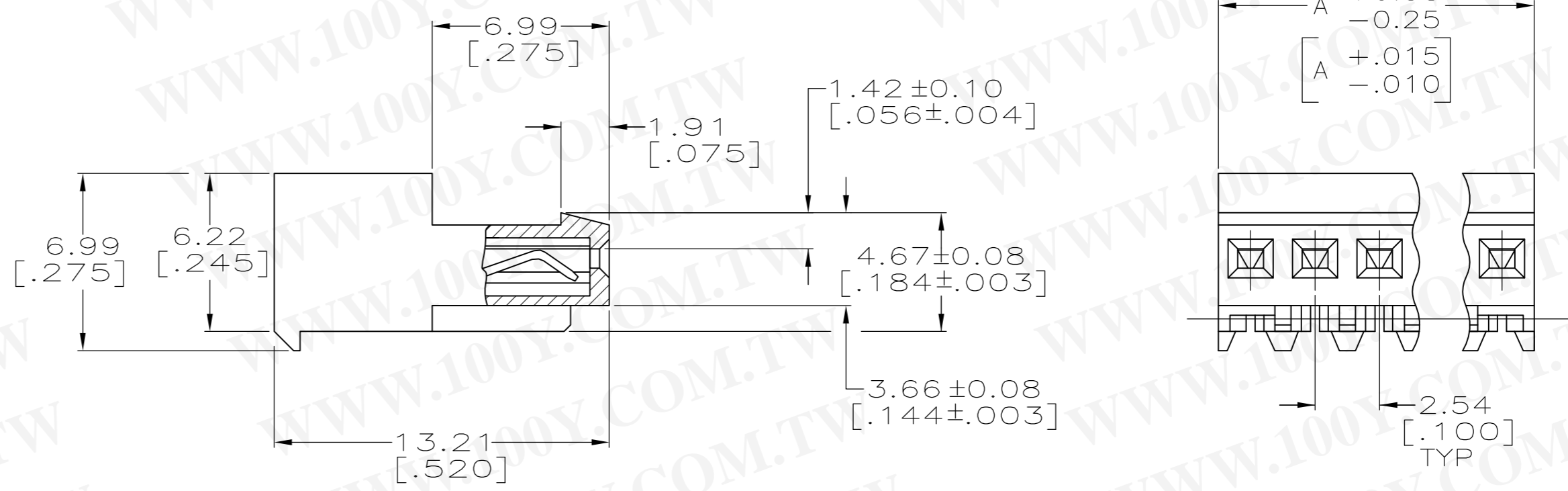
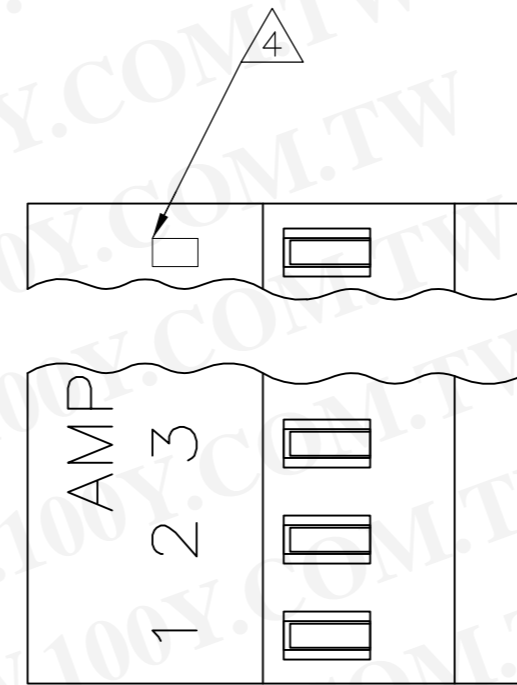


THIS DRAWING IS UNPUBLISHED. RELEASED FOR PUBLICATION
 © COPYRIGHT - By - ALL RIGHTS RESERVED.

LOC		DIST		REVISIONS			
P	LTR	DESCRIPTION		DATE	DWN	APVD	
CM	00	N	REVISED PER ECO-12-007492	03AUG12	KH	SM	

- 1 MATERIAL: CONNECTOR - NYLON UL94V-2.
CONTACTS - 0.30[.012] THICK COPPER ALLOY BRIGHT TIN-LEAD .00203[.000080] MIN THICKNESS FOR 640440-2 THRU 2-640440-8.
MATTE WHISKER MITIGATED TIN .00203[.000080] MIN THICKNESS OVER NICKEL UNDERPLATE FOR 3-640440-2 THRU 5-640440-8.
- 2 CONTACTS ACCEPT 22 AWG WIRE WITH 1.52[.060] MAX INSULATION DIAMETER.
- 3 CONTACTS MUST ACCEPT 0.64±0.03[.025±.001] POST AND REMAIN LOCKED IN POSITION.
- 4 IDENTIFICATION NUMBER FOR LAST CIRCUIT MAY NOT APPEAR ON ALL ASSEMBLIES.
- 5 DIMENSIONS IN BRACKETS ARE IN INCHES.
- 6 HOUSING FEATURES ARE: CLOSED END WITH LOCKING RAMP.
- 7 OBSOLETE PARTS: OBSOLETE CIS STREAMLINING PER D.RENAUD/D.SINISI
- 8 RED COLOR STRIPE ON HOUSING (NOT SHOWN) MAY RUN DOWN BETWEEN RIBS.

D	YES	71.12[2.800]	28	5-640440-8
	YES	68.58[2.700]	27	5-640440-7
	YES	66.04[2.600]	26	5-640440-6
	YES	63.50[2.500]	25	5-640440-5
	YES	60.96[2.400]	24	5-640440-4
	YES	58.42[2.300]	23	5-640440-3
	YES	55.88[2.200]	22	5-640440-2
	YES	53.34[2.100]	21	5-640440-1
	YES	50.80[2.000]	20	5-640440-0
	YES	48.26[1.900]	19	4-640440-9
	YES	45.72[1.800]	18	4-640440-8
	YES	43.18[1.700]	17	4-640440-7
	YES	40.64[1.600]	16	4-640440-6
	YES	38.10[1.500]	15	4-640440-5
C	YES	35.56[1.400]	14	4-640440-4
	YES	33.02[1.300]	13	4-640440-3
	YES	30.48[1.200]	12	4-640440-2
	YES	27.94[1.100]	11	4-640440-1
	YES	25.40[1.000]	10	4-640440-0
	YES	22.86[.900]	9	3-640440-9
	YES	20.32[.800]	8	3-640440-8
	YES	17.78[.700]	7	3-640440-7
	YES	15.24[.600]	6	3-640440-6
	YES	12.70[.500]	5	3-640440-5
	YES	10.16[.400]	4	3-640440-4
	YES	7.62[.300]	3	3-640440-3
	YES	5.08[.200]	2	3-640440-2
	NO	71.12[2.800]	28	2-640440-8 SUP BY 5-640440-8
	NO	68.58[2.700]	27	2-640440-7 SUP BY 5-640440-7
	NO	66.04[2.600]	26	2-640440-6
	NO	63.50[2.500]	25	2-640440-5 SUP BY 5-640440-5
B	NO	60.96[2.400]	24	2-640440-4
	NO	58.42[2.300]	23	2-640440-3 OBSOLETE
	NO	55.88[2.200]	22	2-640440-2 SUP BY 5-640440-2
	NO	53.34[2.100]	21	2-640440-1
	NO	50.80[2.000]	20	2-640440-0
	NO	48.26[1.900]	19	1-640440-9
	NO	45.72[1.800]	18	1-640440-8
	NO	43.18[1.700]	17	1-640440-7
	NO	40.64[1.600]	16	1-640440-6
	NO	38.10[1.500]	15	1-640440-5
	NO	35.56[1.400]	14	1-640440-4
	NO	33.02[1.300]	13	1-640440-3
	NO	30.48[1.200]	12	1-640440-2
	NO	27.94[1.100]	11	1-640440-1
	NO	25.40[1.000]	10	1-640440-0
	NO	22.86[.900]	9	640440-9
	NO	20.32[.800]	8	640440-8
A	NO	17.78[.700]	7	640440-7
	NO	15.24[.600]	6	640440-6
	NO	12.70[.500]	5	640440-5
	NO	10.16[.400]	4	640440-4
	NO	7.62[.300]	3	640440-3
	NO	5.08[.200]	2	640440-2
LEADFREE	DIM A	NO. OF CIRCUITS	PART NO.	



勝特力材料 886-3-5753170
勝特力电子(上海) 86-21-34970699
勝特力电子(深圳) 86-755-83298787
[Http://www.100y.com.tw](http://www.100y.com.tw)

METRIC

THIS DRAWING IS A CONTROLLED DOCUMENT.		DWN S. CARPENTER 09JUN2003	STE TE Connectivity	
DIMENSIONS: INCHES		CHK D. BOSSI 09JUN2003		
TOLERANCES UNLESS OTHERWISE SPECIFIED:		APVD D. BOSSI 09JUN2003	NAME MTA 100 CONNECTOR ASSEMBLY, 22 AWG, STANDARD	
0 PLC ±		PRODUCT SPEC 108-1050		
1 PLC ±		APPLICATION SPEC 114-1019		
2 PLC ±		SIZE A2	CAGE CODE 00779	DRAWING NO. 640440
3 PLC ± 0.13 [.005]		RESTRICTED TO		
4 PLC ±		SCALE 5:1 SHEET 1 of 1		
MATERIAL		REV N		
FINISH		CUSTOMER DRAWING		