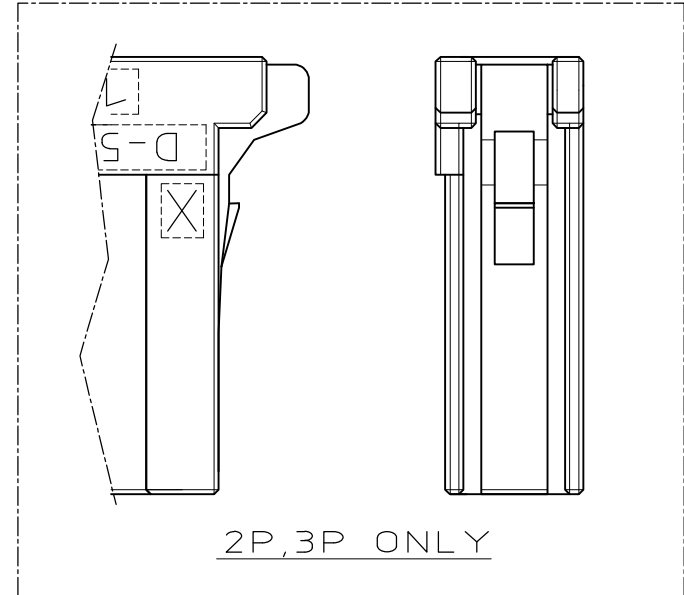
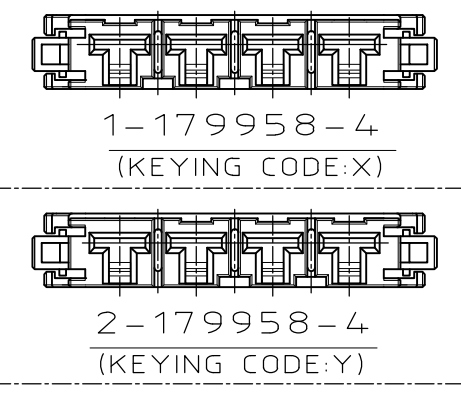
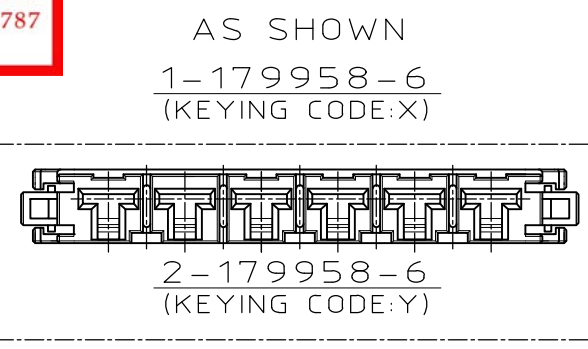
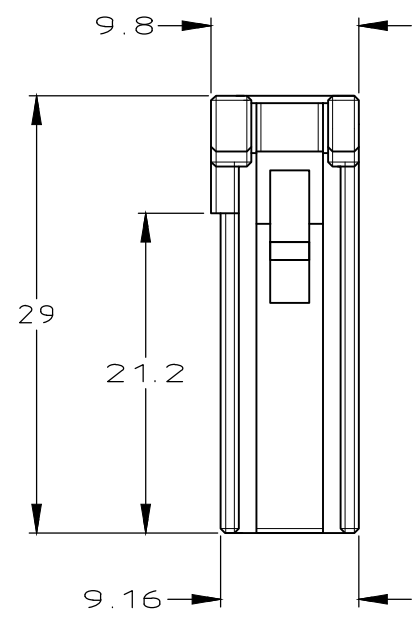
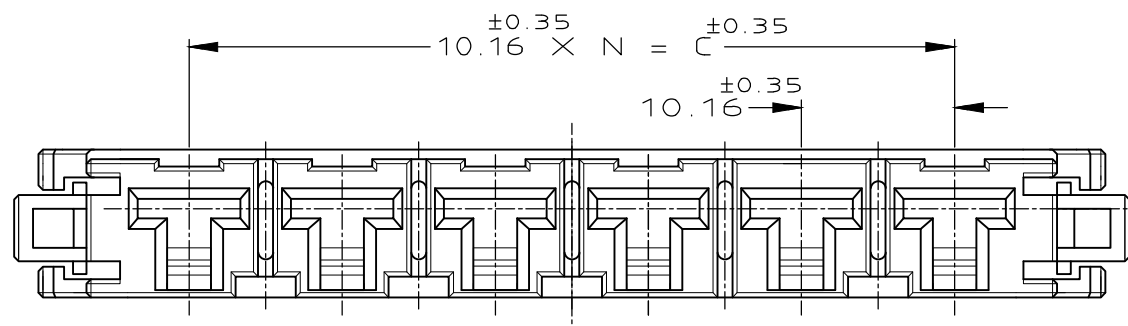
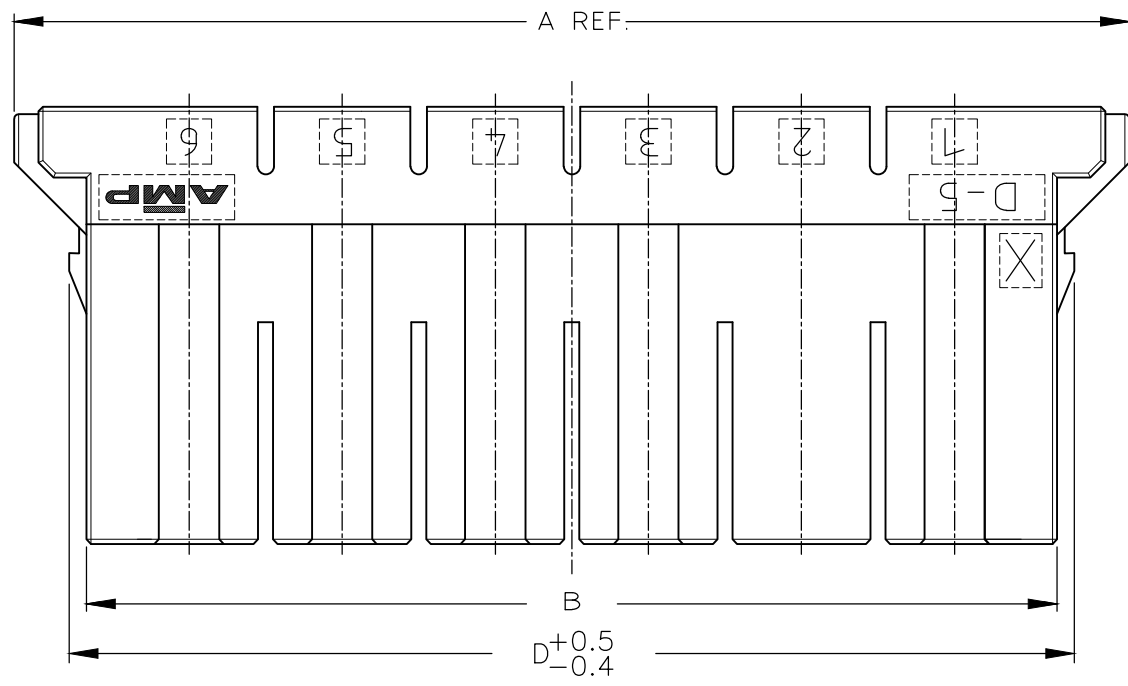
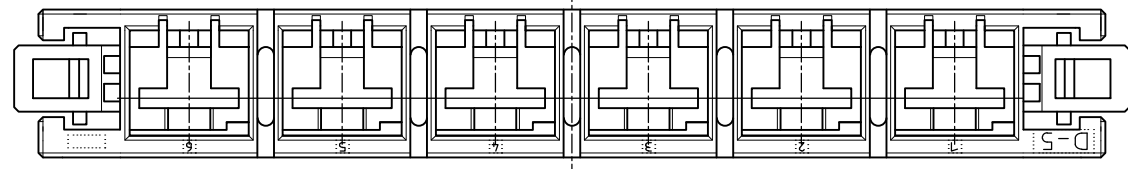


THIS DRAWING IS UNPUBLISHED. RELEASED FOR PUBLICATION
 © COPYRIGHT - By Tyco Electronics Japan G.K. ALL RIGHTS RESERVED.

P		LTR		DESCRIPTION	DATE	DWN	APVD
		H		REVISED PER ECR-19-000804	17JAN2019	A.W	R.B

勝特力電材超市-龍山店 886-3-5773766
 勝特力電材超市-光復店 886-3-5729570
 勝特力電子(上海) 86-21-34970699
 勝特力電子(深圳) 86-755-83298787
<http://www.100y.com.tw>

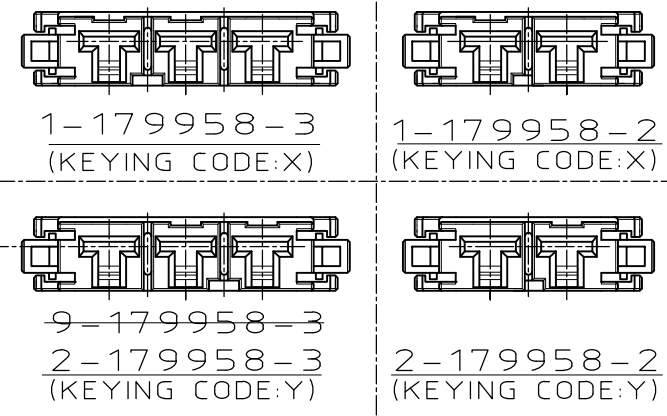


- 注記
- ① 材料 ハウジングガラス入り熱可塑性ポリエステル樹脂(94V-0),色 黒
 - ② ハウジング全面にテフロン塗装のこと
 - ③ 製品規格 : 108-5453

- NOTES
- ① MATERIAL:HOUSING:GLASS FILED THERMO PLASTIC POLYESTER(94V-0),COLOR:BLACK
 - ② TO COAT ALL SURFACE OF HOUSING WITH TEFLON
 - ③ PRODUCT SPEC :108-5453

FINISH	D	C	B	A	N	POS	COLOR	P/N
	66.70	50.8	64.4	73.02	5	6	BLACK	2-179958-6
							BLACK	1-179958-6
OBSOLETE								5-179958-4
							BLACK	2-179958-4
OBSOLETE	46.38	30.48	44.08	53.68	3	4	BLACK	1-179958-4
OBSOLETE								5-179958-3
							NATURAL	9-179958-3
							BLACK	2-179958-3
	36.22	20.32	33.92	45.92	2	3	BLACK	1-179958-3
							BLACK	2-179958-2
	26.06	10.16	23.76	35.76	1	2	BLACK	1-179958-2

1-179958-6
(KEYING CODE:X)



THIS DRAWING IS A CONTROLLED DOCUMENT.

DIMENSIONS: mm

TOLERANCES UNLESS OTHERWISE SPECIFIED:

0 PLC	± 10	± 0.2
1 PLC	± 30	>10 ± 0.25
2 PLC	± 100	>30 ± 0.3
3 PLC	±	
4 PLC	±	

ANGLES ± 3°

MATERIAL

FINISH

THIS DRAWING IS A CONTROLLED DOCUMENT.

DWN Y.ISHIKAWA 22MAR1995

CHK S.MANABE 23MAR1995

APVD S.MABABE 23MAR1995

PRODUCT SPEC

APPLICATION SPEC

WEIGHT 0

CUSTOMER DRAWING

STE TE Connectivity

SINGLE ROW REC HSG
DYNAMIC D-5200

SIZE A3 CAGE CODE 00779 DRAWING NO C-179958 RESTRICTED TO -

SCALE 2:1 SHEET 1 OF 1 REV H1

Mouser Electronics

Authorized Distributor

Click to View Pricing, Inventory, Delivery & Lifecycle Information:

[TE Connectivity:](#)

[2-179958-3](#)