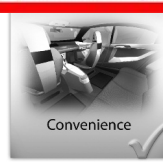


Introduction

勝特力電材超市-龍山店 886-3-5773766
 勝特力電材超市-光復店 886-3-5729570
 勝特力電子(上海) 86-21-34970699
 勝特力電子(深圳) 86-755-83298787
<http://www.100y.com.tw>



Connector Series for Waterproof Protection and Rugged Construction



Econoseal connectors are used in extreme conditions. Moisture, dust, corrosive gasses and liquids result in premature aging of electrical contact systems which are not adequately protected.

The use of Econoseal sealed housings can avoid contact damage caused by environmental hazards.

Typical applications include the wiring of sensors in the interior of motor hoods and connections to electrical control systems under extremely unfavourable climatic conditions.

Econoseal Connector Series

- Econoseal E Series
- Econoseal EHM Series
- Econoseal III .070 Series
 - Wire-to-Board
 - Wire-to-Wire
- Econoseal III .250 Series
 - Wire-to-Board
- Econoseal J Series

CI2 Socket Contacts

Technical Features

Wire Type:

FLK and FLR

Wire Size Range:

0.5–2.5 mm²

Contact Material:

CuSn or CuZn

Contact Finish:

Pre-tin plated

Insulation Diameter:

2.0–3.7 mm

Product Specification:

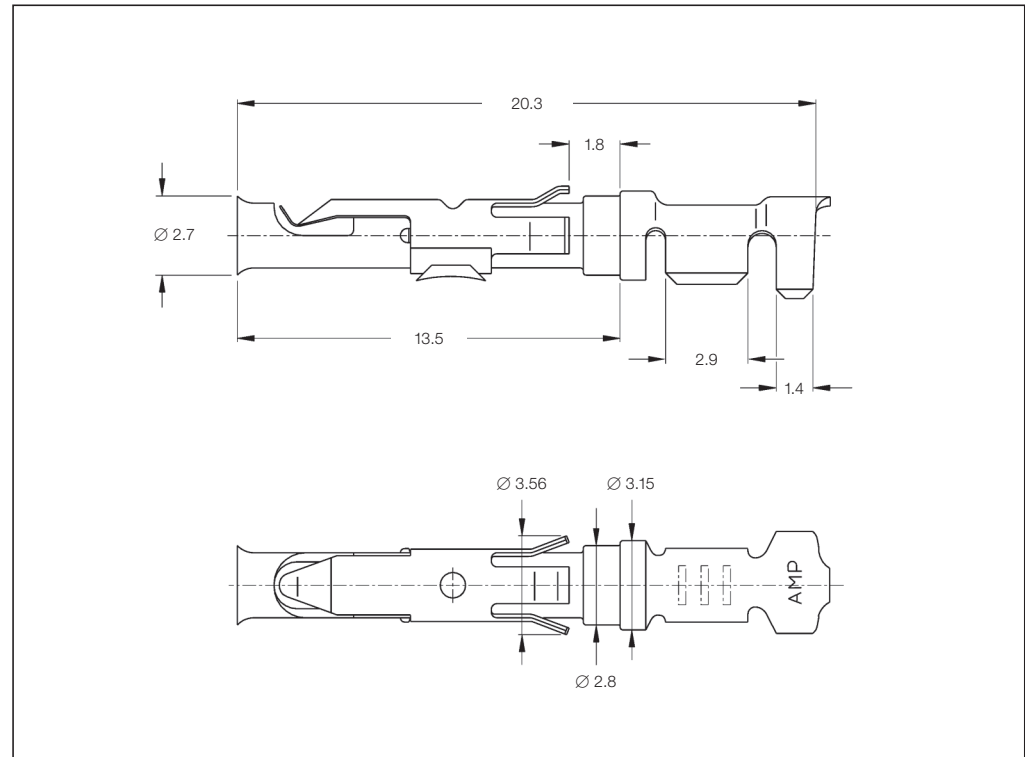
108-18125

Application Specification:

114-18056

Standard Extraction Tool:

Part No. 539972-1



CI2 Socket Contacts

Contact Type	Wire Size Range mm ² (AWG)	Insulation Diameter		Material and Finish*	Part Numbers				Applicator*	Hand Tool
		FLK mm (Inch)	FLR mm (Inch)		Strip Form	Package Quantity	Loose-Piece	Package Quantity		
Socket	0.5–1.0	2.0–2.7	–	-1 / -2 / -4	827039	–	827396	–	1528546	–
	>1.0–2.5	2.4–3.7	–	-1 / -2 / -3	827040	–	827397	–	1528127	–
	0.5–1.0	–	1.4–2.3	-1 / -2 / -4	927886	–	927887	–	1528817	2063645-1
	>1.0–2.5	–	2.1–3.1	-1 / -2 / -3	927890	–	927891	–	1528039	
Socket SWS	0.5–1.0	3.4	–	-1	964138	–	964139	–	on request	–
	>1.0–2.5	3.4	–	-1	968013	–	968014	–	on request	–

***) Material and Finish:**

- xxx-1 = CuSn4, tin plated
- xxx-2 = CuZn30, tin plated
- xxx-3 = CuSn4, silverplated
- xxx-4 = CuSn4, silver plated

*) The pre- and suffix for the applicators depends on the applied termination equipment.

C12 Pin Contacts

Technical Features

Wire Type:

FLK and FLR

Wire Size Range:

0.5–2.5 mm²

Contact Material:

CuSn or CuZn

Contact Finish:

Pre-tin plated

Insulation Diameter:

2.0–3.7 mm

Product Specification:

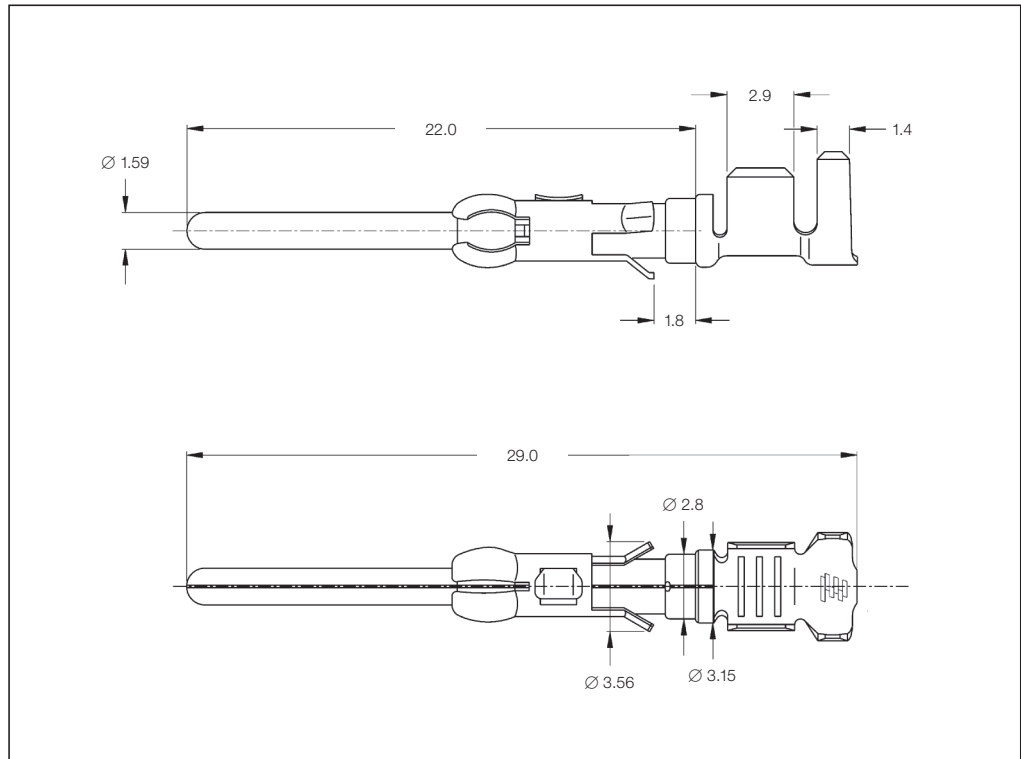
108-18125

Application Specification:

114-18056

Standard Extraction Tool:

Part No. 539972-1



C12 Pin Contacts

Contact Type	Wire Size Range mm ² (AWG)	Insulation Diameter		Material and Finish*	Part Numbers					
		FLK mm (Inch)	FLR mm (Inch)		Strip Form	Package Quantity	Loose-Piece	Package Quantity	Applicator [♦]	Hand Tool
Pin	0.5–1.0	2.0–2.7	–	-1 / -2	926980	–	926981	–	1528546	–
	>1.0–2.5	2.4–3.7	–	-1 / -2	926982	–	926983	–	1528127	–
	0.5–1.0	–	1.4–2.3	-1 / -2	927884	–	927885	–	1528817	2063645-1
	>1.0–2.5	–	2.1–3.1	-1 / -2 / -3	927888	–	927889	–	1528039	

***) Material and Finish:**

- xxx-1 = CuSn4, tin plated
- xxx-2 = CuZn30, tin plated
- xxx-3 = CuSn4, silverplated
- xxx-4 = CuSn4, silver plated

♦) The pre- and suffix for the applicators depends on the applied termination equipment.

Socket Contacts

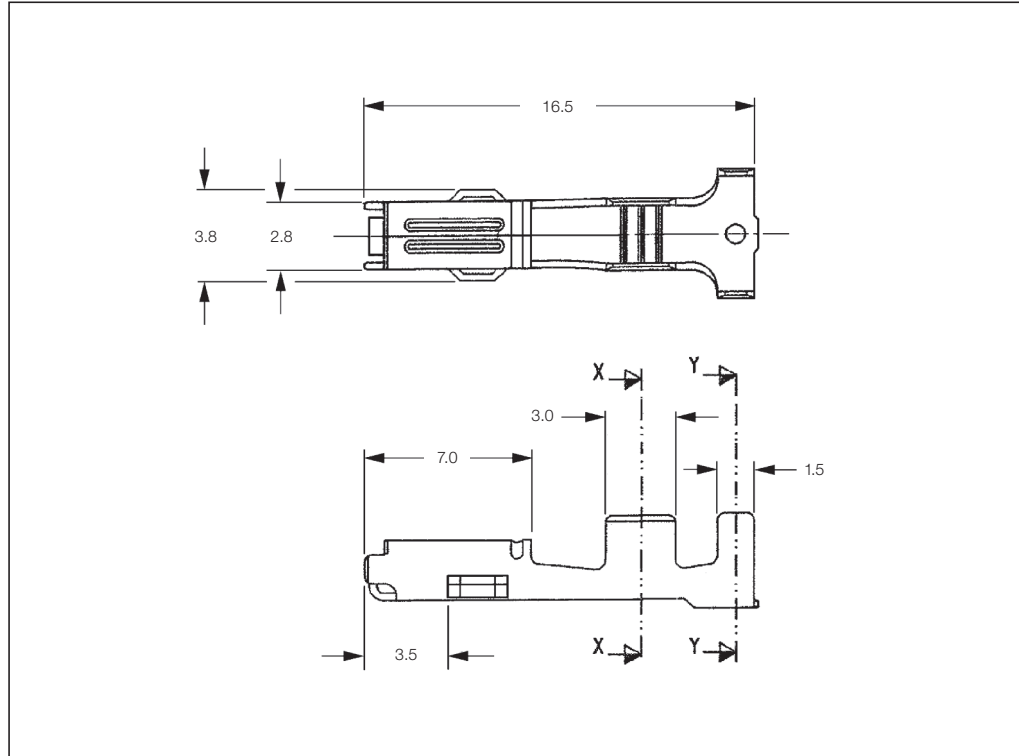
Technical Features

Low Current Wire-to-Wire Connectors .070 Series (1.8 mm)

- Free-hanging
- .070 Series (1.8 mm) blade and socket
- 2-, 3-, 4-, 6- and 13-positions
- Wire Size Range: from 0.5 up to 2.0 mm²
- Contact Rating: up to 10 A constant
- Lanceless contact system
- Inertia locking

Application Specification:
114-3040

Standard Extraction Tool:
Part No. 1-1579007-5



Socket Contacts

Wire Size Range	Insulation Diameter		Material and Finish	Part Numbers				Applicator ♦	Hand Tool
	FLK	FLR		Strip Form	Package Quantity	Loose-Piece	Package Quantity		
mm ² (AWG)	mm (Inch)	mm (Inch)							
0.2–0.5 (24–20)	1.6–1.8 (.062–.070)	–	Copper alloy, tin plated	345808-1	6,000	345949-1	1,000	1528040	on request
0.75–2.00 (18–14)	1.85–2.70 (.073–.106)	–	Copper alloy, tin plated	345806-1	6,000	345150-1	1,000	1528416	on request
0.5–2.0 (20–14)	1.6–2.7 (.062–.106)	–	CuSn, gold plated	344113-1*	6,000	–	–	1528416	–

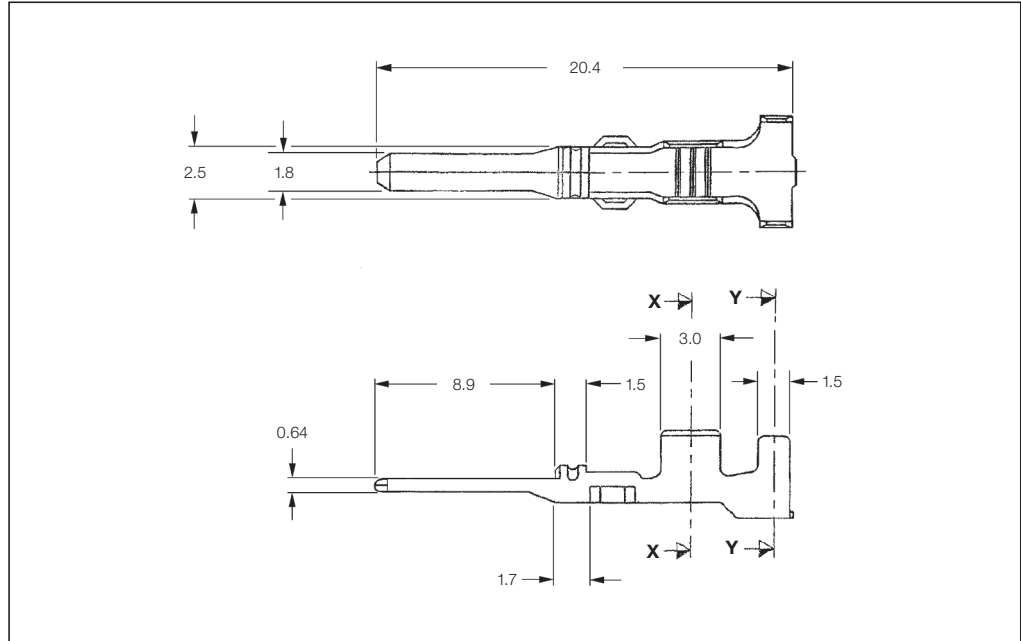
♦) Applicators are application specific, consult TE Connectivity for details.

*) For 16 and 36 position socket housing.

Pin Contacts / Single Wire Seals and Cavity Plugs

**Pin Contacts,
Mates with
Socket Contacts
.070 Series**

Standard Extraction Tool:
Part No. 1-1579007-5



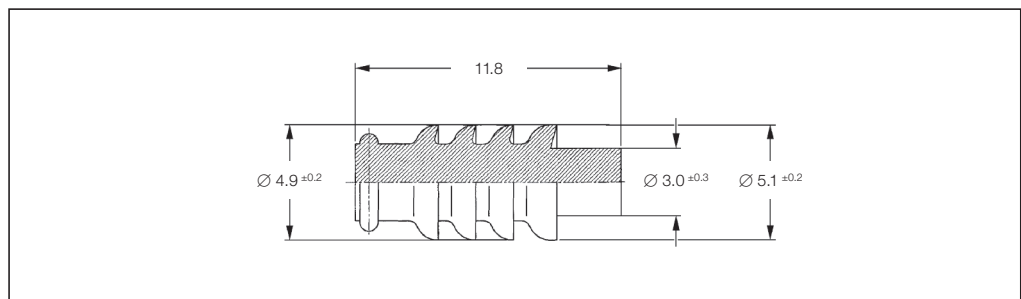
Pin Contacts

Wire Size Range	Insulation Diameter		Material and Finish	Part Numbers				Applicator*	Hand Tool
	FLK	FLR		Strip Form	Package Quantity	Loose-Piece	Package Quantity		
mm ² (AWG)	mm (Inch)	mm (Inch)							
0.5 (20)	1.6–1.8 (.062–.070)	–	Copper alloy, tin plated	345809-1	6,000	345951-1	2,000	1426288 1426650 (unsealed)	on request
0.75–1.00 (18–17)	1.85–2.10 (.073–.083)	–	Copper alloy, tin plated	345807-1	6,000	345148-1	2,000	1528804 1426601 (unsealed)	on request
1.5–2.0 (15–14)	2.3–2.7 (.091–.106)	–	Copper alloy, tin plated	345807-1	6,000	345148-1	2,000	1528804 1426601 (unsealed)	on request

* Applicators are application specific, consult TE Connectivity for details.

**Single Wire Seals
and Cavity Plugs
for Series .070 (1.8 mm)**

Application Specification:
108-3069



Insulation Diameter		Color	Part Number	Package Quantity
(mm)	(Inch)			
1.6–2.4	(.062–.095)	Black	345791-1	5,000
	Cavity Plug	Black	172748-1	1,000
2.4 min. – 2.7 max.	(.095–.106)	Grey	172888-2	5,000
	Cavity Plug	Grey	172748-2	1,000

Socket Contacts

Technical Features

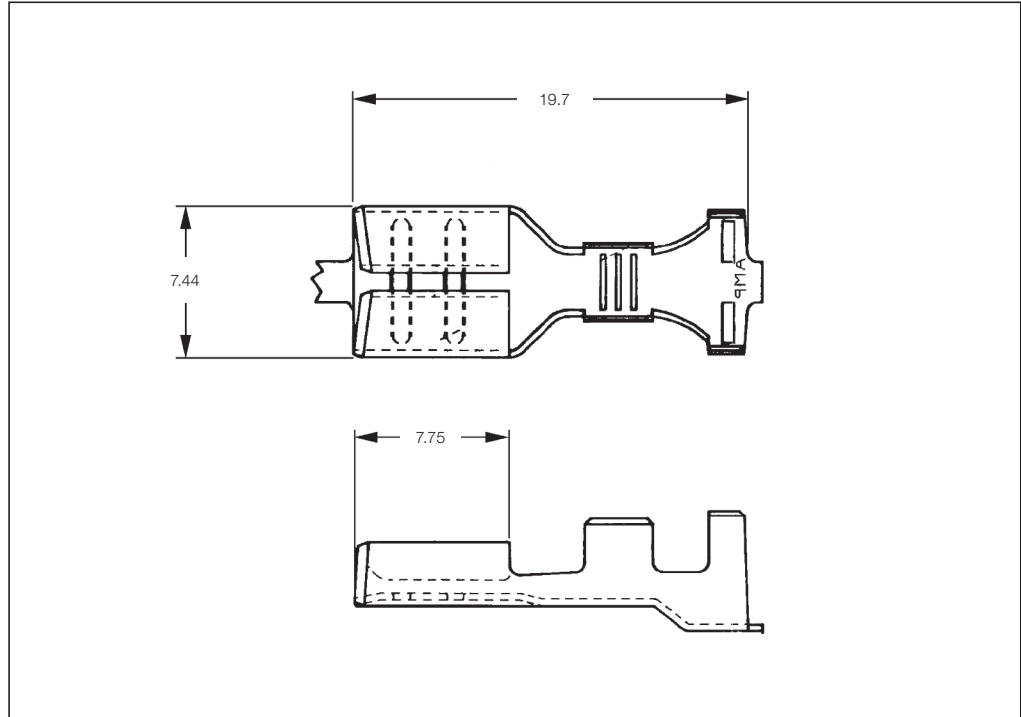
High Current Wire-to-Wire Connectors .250 Series (6.3 mm)

- Free hanging
- .250 Series (6.3 mm) FASTON blade and socket
- 2-, 4- and 8-positions
- Wire Size Range: from 0.5 to 3.0 mm²
- Contact Rating: up to 20 A constant
- Lanceless contact system
- Inertia Locking

Application Specification:
114-3036

Extraction Tool:
Part No. **724712-1**

Insertion Tool:
Part No. **344525-1**



Socket Contacts

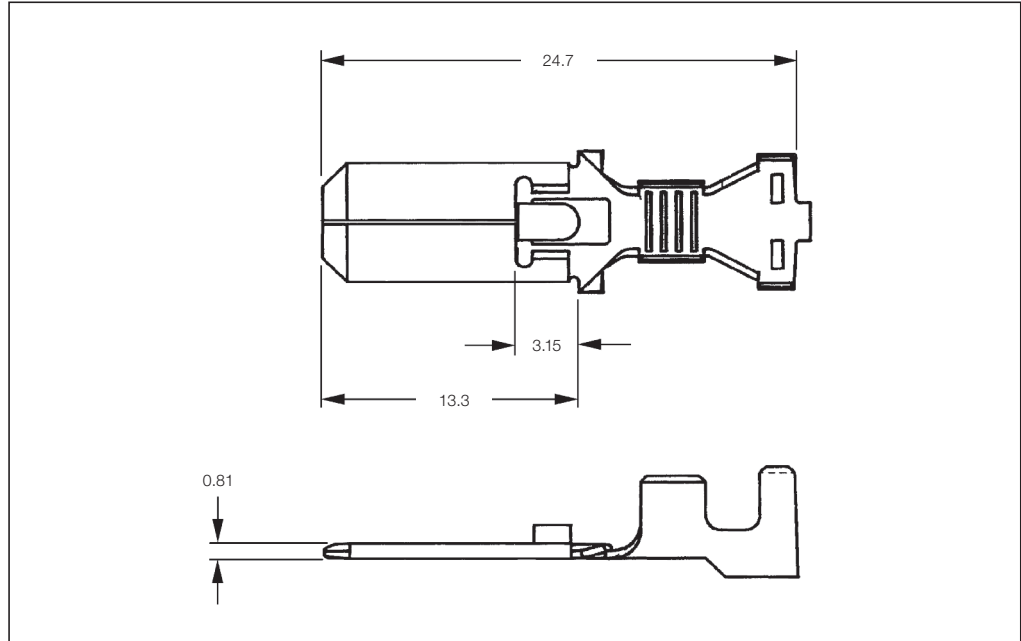
Wire Size Range mm ² (AWG)	Insulation Diameter		Material and Finish	Part Numbers				Applicator ♦	Hand Tool 539635-1 with Die-Set
	FLK mm (Inch)	FLR mm (Inch)		Strip Form	Package Quantity	Loose-Piece	Package Quantity		
0.5–1.5 (20–15)	1.6–2.4 (.062–.095)	–	CuZn, pre-tin plated	344070-1	3,000	344995-1	1,000	1339706	539678-2
2.0–3.0 (14–12)	2.6–3.4 (.102–.134)	–	CuZn, pre-tin plated	344009-1	3,000	344993-1	1,000	1529079	on request

♦) Applicators are application specific, consult TE Connectivity for details.

Pin Contacts / Single Wire Seals and Cavity Plugs

**Pin Contact,
Mates with
Socket Contacts
.250 Series**

Extraction Tool:
Part No. **724712-1**
Insertion Tool:
Part No. **344525-1**



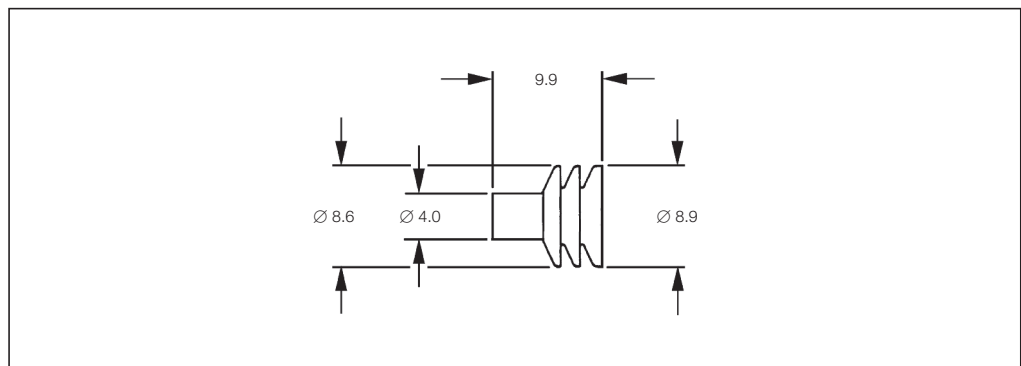
Pin Contacts

Wire Size Range	Insulation Diameter		Material and Finish	Part Numbers				Applicator*	Hand Tool
	FLK	FLR		Strip Form	Package Quantity	Loose-Piece	Package Quantity		
mm ² (AWG)	mm (Inch)	mm (Inch)							
0.5–1.5 (20–15)	1.6–2.4 (.062–.095)	–	CuZn, pre-tin plated	344069-1	3,000	344991-1	1,000	1339829	on request
2.0–3.0 (14–12)	2.6–3.4 (.102–.134)	–	CuZn, pre-tin plated	344008-1	3,000	344989-1	1,000	1529135	on request

*) Applicators are application specific, consult TE Connectivity for details.

Single Wire Seals and Cavity Plugs for Series .250 (6.3 mm)

Application Specification:
108-3069



Insulation Diameter		Color	Part Number	Package Quantity
(mm)	(Inch)			
1.6–2.4	(.062–.095)	Black	344095-1	500
	Cavity Plug	Grey	172749-2	500
2.6–3.4	(.102–.134)	Black	172747-1	1,000
	Cavity Plug	Grey	172749-2	500

Socket Contacts

Technical Features

Wire Size Range:
0.20–1.25 mm²
(AWG 24–20 / AWG 20–16)

Contact Material:
CuSn or CuZn

Contact Finish:
Pre-tin plated

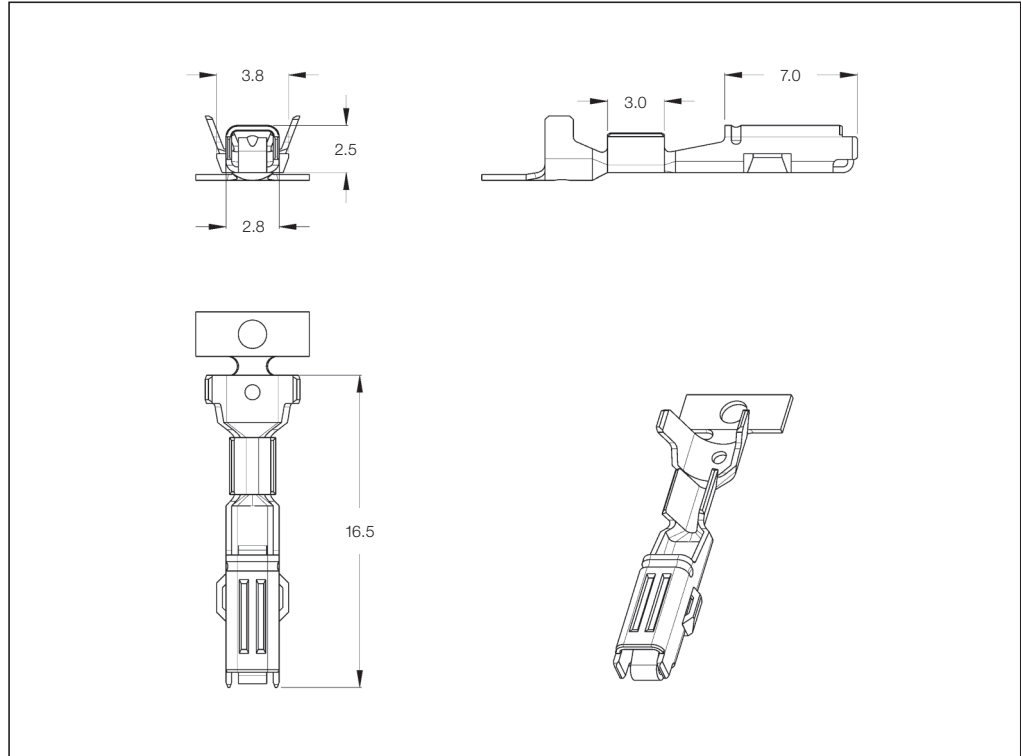
Insulation Diameter:
1.4–2.6 mm

Product Specification:
108-5262

Application Specification:
114-5082

Instruction Sheet:
412-5325

Extraction Tool:
Part No. **937313-1**



Socket Contacts

Wire Size Range		Wire Insulation Diameter (mm)	Material and Finish	Part Numbers				Applicator ♦	Hand Tool
(mm ²)	(AWG)			Strip Form	Package Quantity	Loose-Piece	Package Quantity		
0.2–0.5	24–20	1.4–2.4	Brass, pre-tin plated	171630-1	–	171699-1	–	1528276	91563-1
			Copper-Alloy, sel. gold plated	171630-5	–	–	–		–
0.50–1.25	20–16	2.0–2.6	Brass, pre-tin plated	171662-1	–	173707-1	–	1530013	91583-1
			Copper-Alloy, pre-tin plated	171662-4	–	–	–		–
			Copper-Alloy, sel. gold plated	171662-5	–	–	–		–

♦) The pre- and suffix for the applicators depends on the applied termination equipment.

Pin Contacts

Technical Features

Wire Size Range:
0.20–1.25 mm²
(AWG 24–20 / AWG 20–16)

Contact Material:
CuSn or CuZn

Contact Finish:
Pre-tin plated

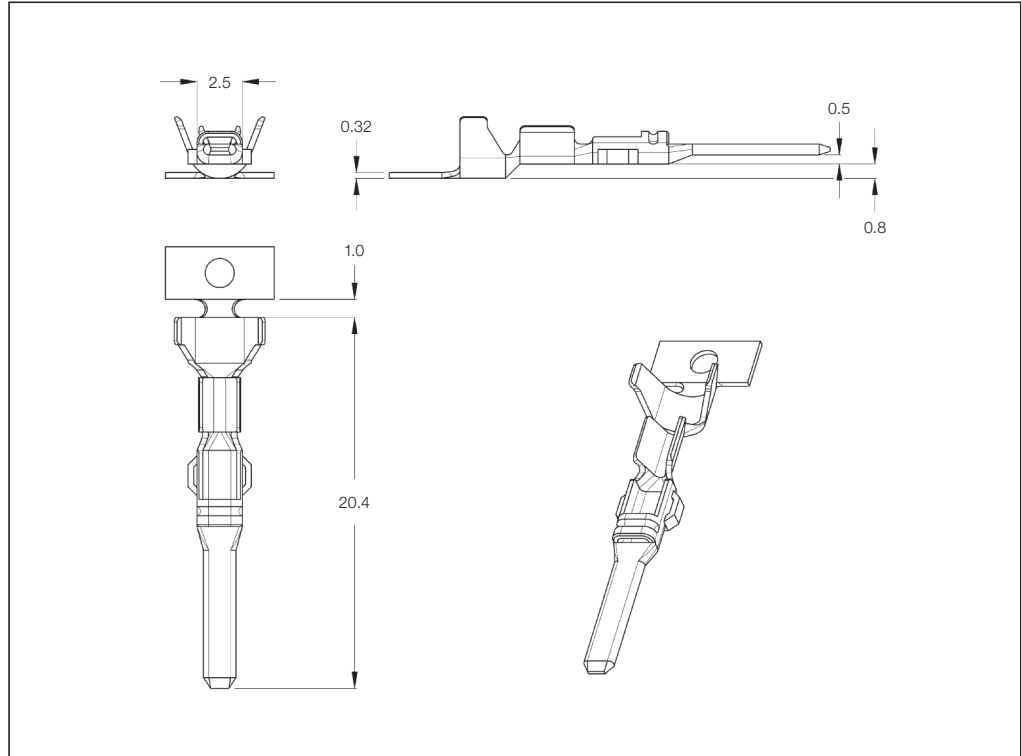
Insulation Diameter:
1.4–2.6 mm

Product Specification:
108-5262

Application Specification:
114-5082

Instruction Sheet:
412-5325

Extraction Tool:
Part No. **937313-1**



Pin Contacts

Wire Size Range		Wire Insulation Diameter (mm)	Material and Finish	Part Numbers				Applicator ♦	Hand Tool
(mm ²)	(AWG)			Strip Form	Package Quantity	Loose-Piece	Package Quantity		
0.2–0.5	24–20	1.4–2.4	Brass, pre-tin plated	171631-1	–	173600-1	–	1528891	91563-1
			Brass, selective gold plated	171631-2	–	–	–		–
0.50–1.25	20–16	2.0–2.6	Brass, pre-tin plated	171661-1	–	173706-1	–	1528457	91585-1
			Brass, selective gold plated	171661-2	–	–	–		–

♦) The pre- and suffix for the applicators depends on the applied termination equipment.

Engineering Notes

A large grid area for engineering notes, consisting of a uniform grid of small squares. The grid is empty and occupies the majority of the page's central area.

1 Position Socket Housings

Technical Features

No. of Positions:

1 Position

Housing Material:

PA66 GF13

Wire Size Range:

0.5–2.5 mm²

Insertion Tool:

Part No. **826790-3**

Extraction Tool:

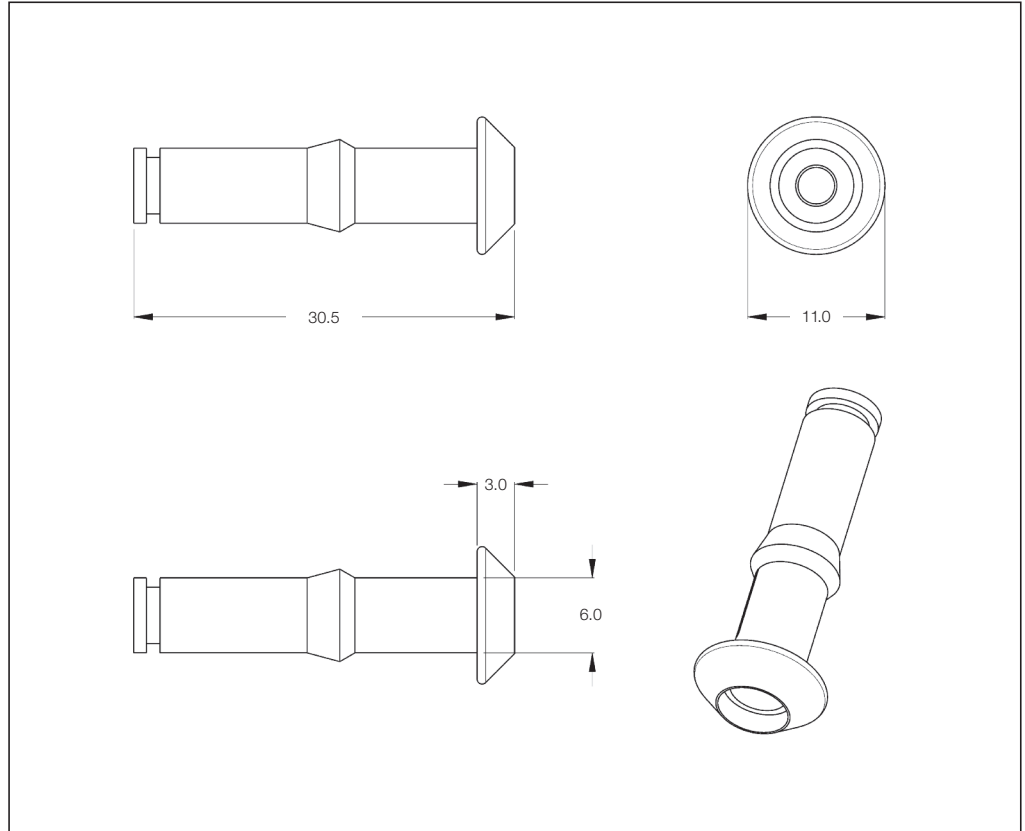
Part No. **725840-1**

Product Specification:

—

Application Specification:

—



1 Position Socket Housings

Keying Form with the Mating Connector	Wire Outside Diameter (mm)	Collar Form	Housing Color	Part Number	
				Socket Housing	Mating Pin Connector
Click Stop	2.3–3.0	Cone	Black	826882-4	826881-2
Click Stop	1.3–2.3	Cone	Black	826882-5	826881-3

Dust Cover for Socket Housings: Part No. **927536-1**.

Other Housing Colors and Special Versions with Blind Plug on request.

2 Position Socket Housing

Technical Features

No. of Positions:

2 Positions

Housing Material:

PA66 GF13

Wire Size Range:

0.5–2.5 mm²

Insertion Tool:

Part No. **826790-3**

Extraction Tool:

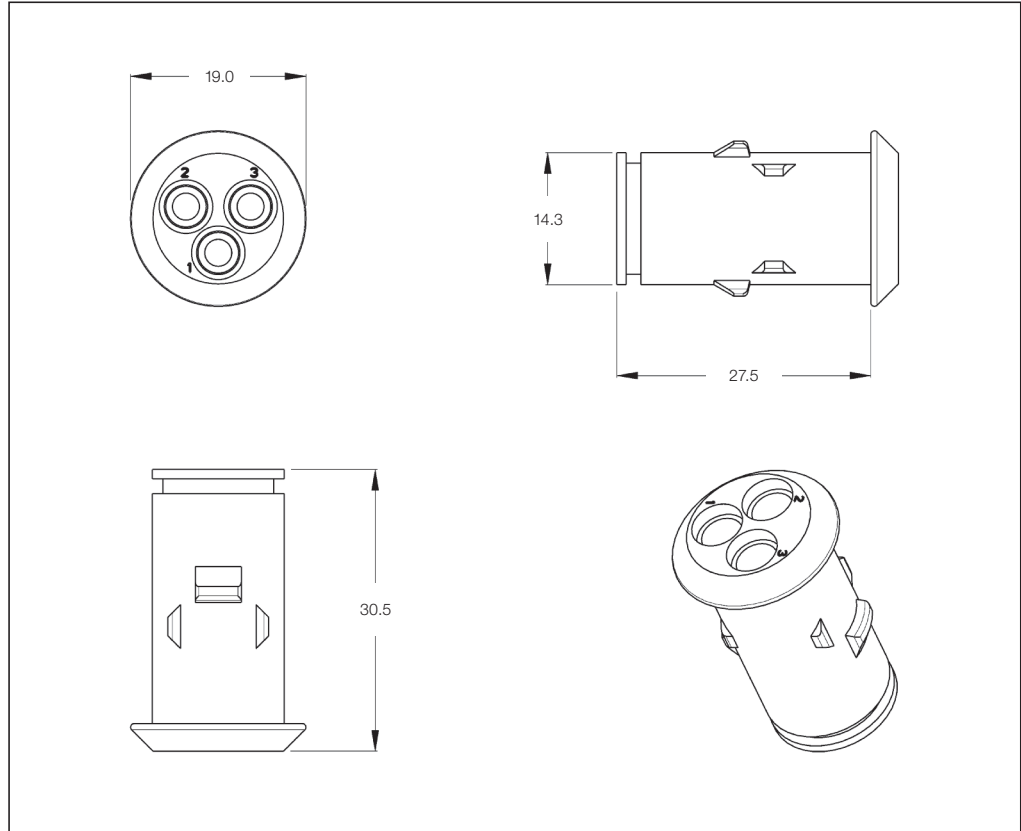
Part No. **725840-1**

Product Specification:

—

Application Specification:

—



2 Position Socket Housing

Keying Form with the Mating Connector	Wire Outside Diameter (mm)	Collar Form	Housing Color	Part Number		
				Socket Housing	Color of Wire Sealing	
Click Stop	2.3–3.0	Cone	Black	826884-2	Gray	826883-1
	1.3–2.3	Cone	Black	826884-3	Black	
Locking	2.3–3.0	Cone	Black	1-826884-2	Gray	826883-2
	1.3–2.3	Cone	Black	1-826884-3	Black	

2 Position Socket Housings

Technical Features

No. of Positions:

2 Positions

Housing Material:

PA66 GF13

Wire Size Range:

0.5–2.5 mm²

Insertion Tool:

Part No. **826790-3**

Extraction Tool:

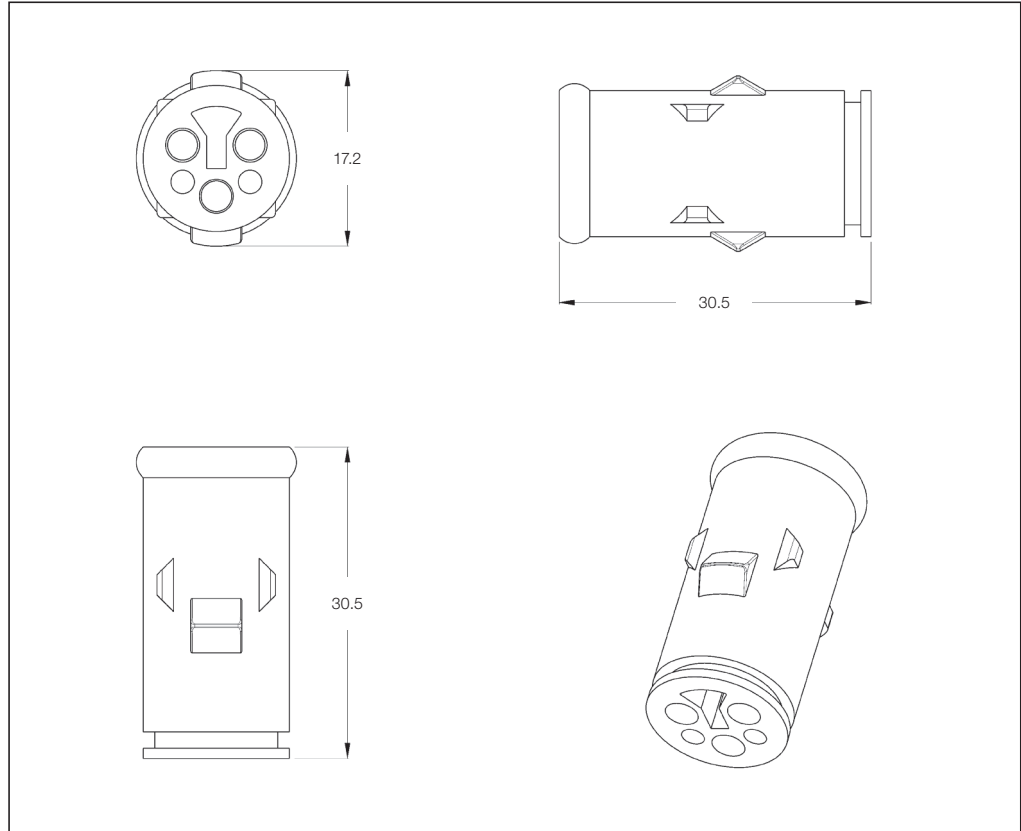
Part No. **725840-1**

Product Specification:

—

Application Specification:

—



2 Position Socket Housings

Keying Form with the Mating Connector	Wire Outside Diameter (mm)	Collar Form	Housing Color	Part Number		
				Socket Housing	Color of Wire Sealing	
Click Stop	2.3–3.0	Round	Black	827438-1	Gray	826883-1
	1.3–2.3	Round	Black	827438-2	Black	
Locking	2.3–3.0	Round	Black	1-827438-1	Gray	826883-2
	1.3–2.3	Round	Black	1-827438-2	Black	

Dust Cover for Socket Housings: Part No. **927536-1**.

Other Housing Colors and Special Versions with Blind Plug on request.

3 Position Socket Housings

Technical Features

No. of Positions:

3 Positions

Housing Material:

PA66 GF13

Wire Size Range:

0.5–2.5 mm²

Insertion Tool:

Part No. **826790-3**

Extraction Tool:

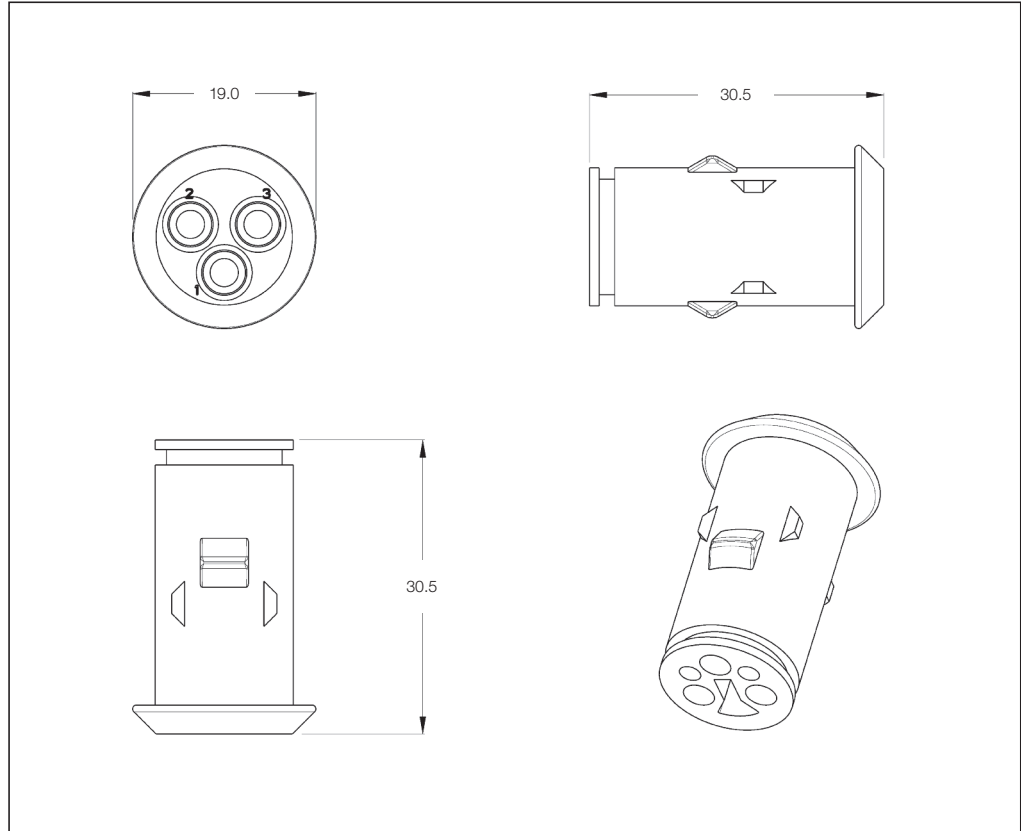
Part No. **725840-1**

Product Specification:

—

Application Specification:

—



3 Position Socket Housings

Keying Form with the Mating Connector	Wire Outside Diameter (mm)	Collar Form	Housing Color	Part Number	
				Socket Housing	Color of Wire Sealing
Click Stop	2.3–3.0	Cone	Black	826886-4	Gray
	1.3–2.3	Cone	Black	826886-7	Black
Locking	2.3–3.0	Cone	Black	1-826886-2	Gray
	1.3–2.3	Cone	Black	1-826886-8	Black

Dust Cover for Socket Housings: Part No. **927536-1**.

Front Plate for 3 Positions Pin and Socket Housings: Part No. **826582-1**.

Other Housing Colors and Special Versions with Blind Plug on request.

3 Position Socket Housings

Technical Features

No. of Positions:

3 Positions

Housing Material:

PA66 GF13

Wire Size Range:

0.5–2.5 mm²

Insertion Tool:

Part No. **826790-3**

Extraction Tool:

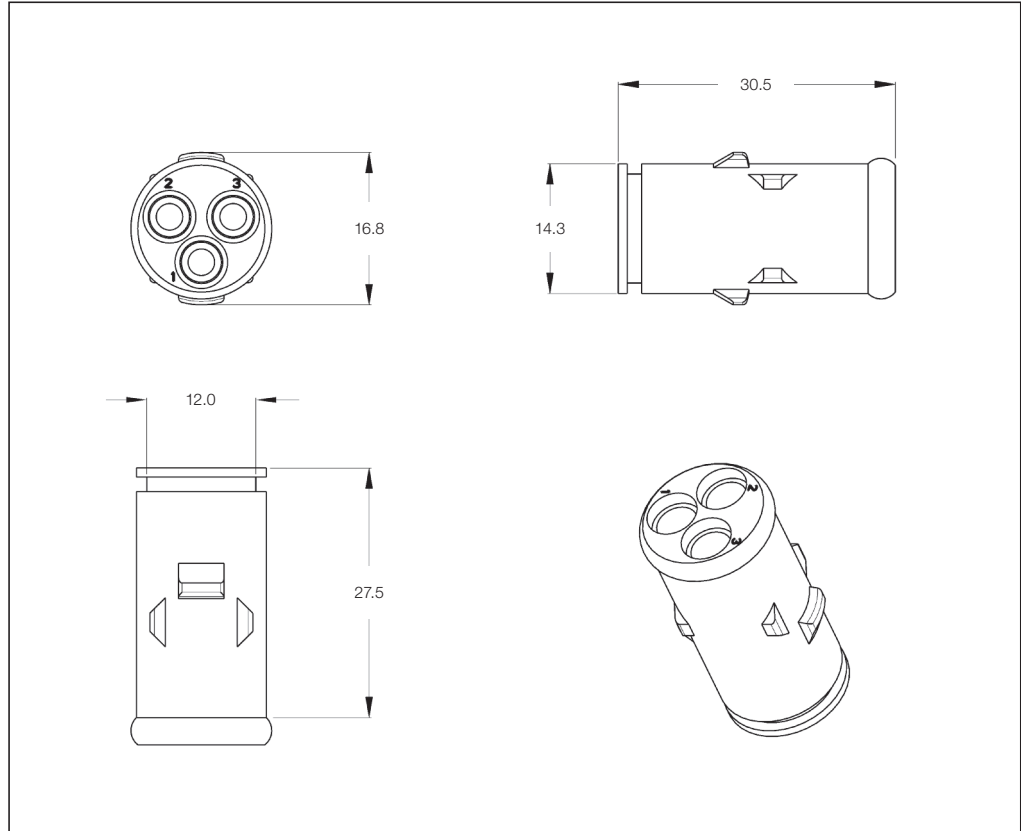
Part No. **725840-1**

Product Specification:

—

Application Specification:

—



3 Position Socket Housings

Keying Form with the Mating Connector	Wire Outside Diameter (mm)	Collar Form	Housing Color	Part Number	Color of Wire Sealing	Part Number
				Socket Housing		Mating Pin Connector
Locking	2.3–3.0	Round	Black	1-827520-1	Gray	—
	1.3–2.3	Round	Black	1-827520-2	Black	—

Dust Cover for Socket Housings: Part No. **927536-1**.

Front Plate for 3 Positions Pin and Socket Housings: Part No. **826582-1**.

Other Housing Colors and Special Versions with Blind Plug on request.

1 Position Pin Housings

Technical Features

No. of Positions:

1 Position

Housing Material:

PA66 GF13

Wire Size Range:

0.5–2.5 mm²

Insertion Tool:

Part No. **826791-3**

Extraction Tool:

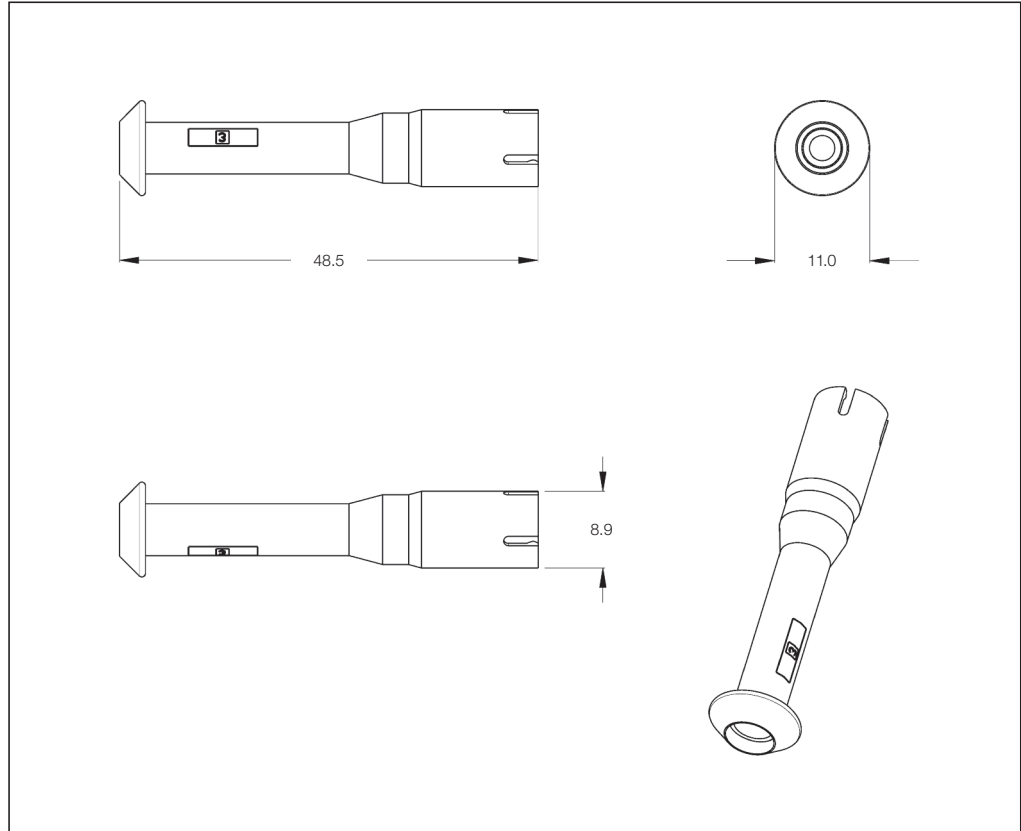
Part No. **725840-1**

Product Specification:

—

Application Specification:

—



1 Position Pin Housings

Wire Outside Diameter (mm)	Collar Form	Housing Color	Part Number	
			Pin Housing	Mating Socket Housing
2.3–3.0	Cone	Black	826881-2	826882-4
1.3–2.3	Cone	Black	826881-3	826882-5

2 Position Pin Housings

Technical Features

No. of Positions:

2 Positions

Housing Material:

PA66 GF13

Wire Size Range:

0.5–2.5 mm²

Insertion Tool:

Part No. **826791-3**

Extraction Tool:

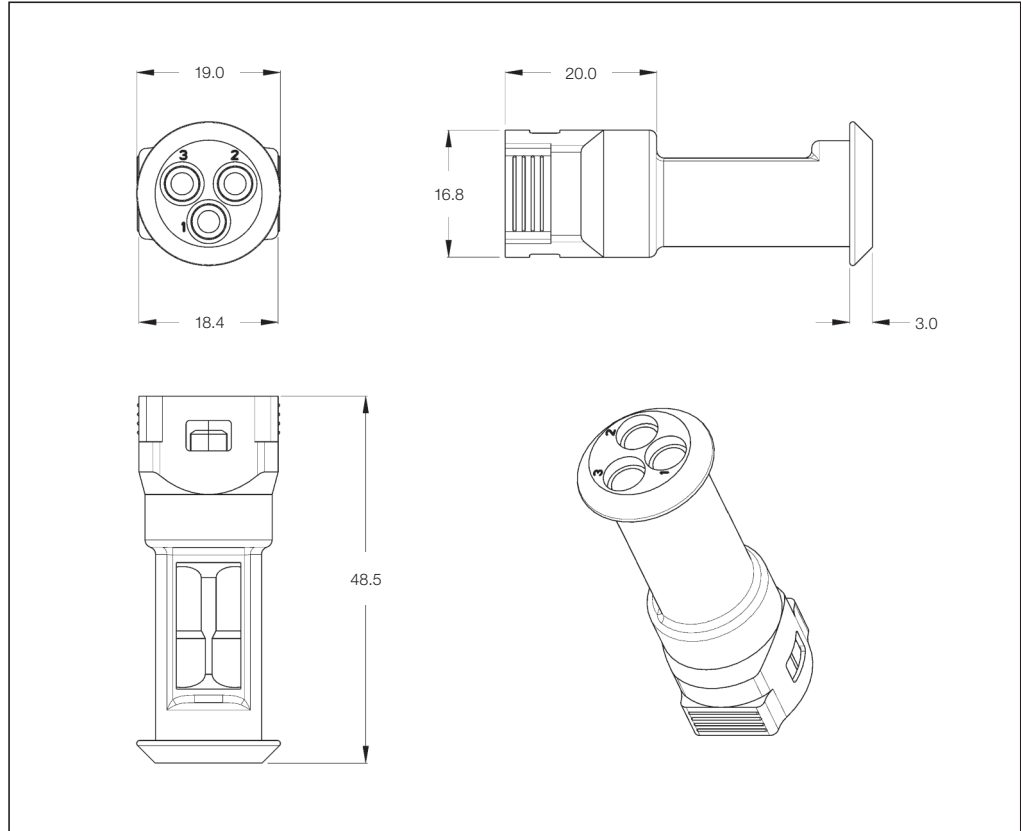
Part No. **725840-1**

Product Specification:

—

Application Specification:

—



2 Position Pin Housings

Wire Outside Diameter (mm)	Collar Form	Housing Color	Part Number	
			Pin Housing	Mating Socket Housing
2.3–3.0	Cone	Black	826883-1	826884-2
1.3–2.3	Cone	Black	826883-2	826884-3

3 Position Pin Housings

Technical Features

No. of Positions:

3 Positions

Housing Material:

PA66 GF13

Wire Size Range:

0.5–2.5 mm²

Insertion Tool:

Part No. **826791-3**

Extraction Tool:

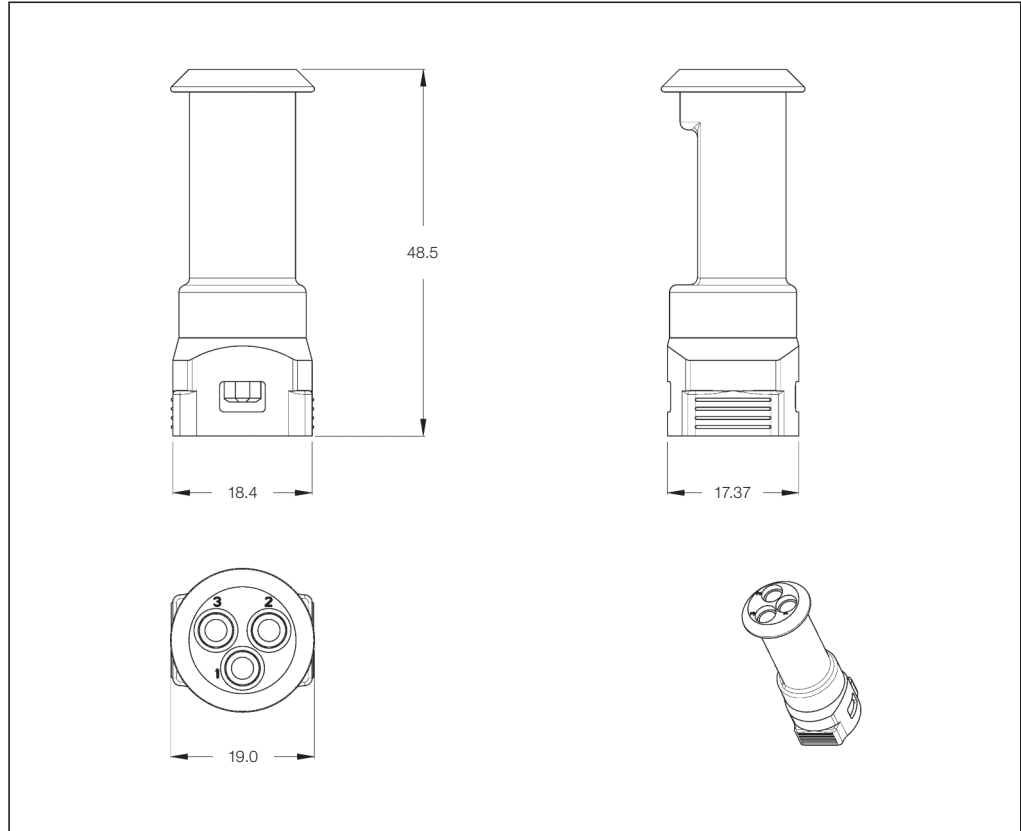
Part No. **725840-1**

Product Specification:

—

Application Specification:

—



3 Position Pin Housings

Wire Outside Diameter (mm)	Collar Form	Housing Color	Part Number	
			Pin Housing	Mating Socket Housing
2.3–3.0	Cone	Black	826885-2	826886-4
1.3–2.3	Cone	Black	826885-8	826886-7

2 Position Housings for 4.0 mm Socket Contact M27 Version

Technical Features

No. of Positions:

2 Positions

Housing Material:

PBT

Wire Size Range:

0.5–4.0 mm²

Socket Contact:

Part No. **962952-1**
(0.5 to 1.0 mm²)

Part No. **962952-1**
(1.0 to 2.5 mm²)

Wire Seal:

Part No. **963243-1**
(1.4 to 2.1 mm diameter)

Part No. **963244-1**
(2.2 to 3.0 mm diameter)

Cavity Plug:

Part No. **100132-1**

Extraction Tool:

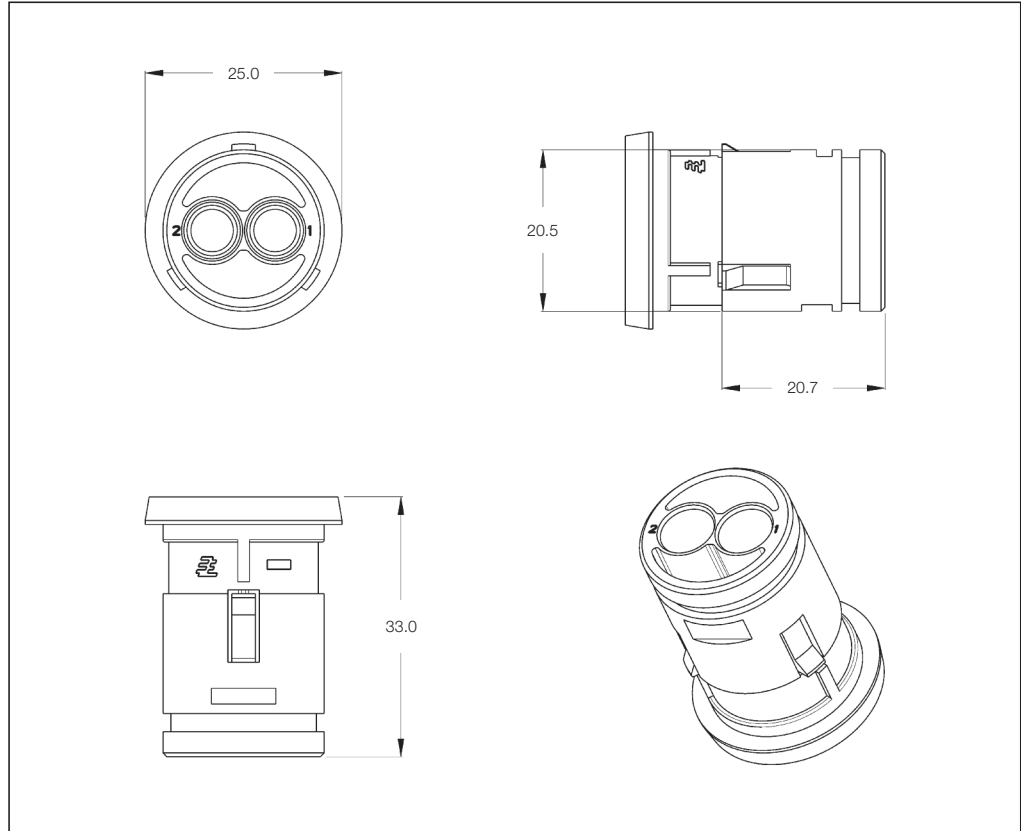
Part No. **1-1579007-9**

Spare Tube:

Part No. **5-1579007-1**

Wire Seal Hand Applicator:

Part No. **100653-1**



2 Position Housings for 4.0 mm Socket Contact M27 Version

Thread	Insulation Diameter (mm)	Part Numbers		
		Cover Right-Angle	Cover Straight	Connector Assembly
M27	1.4–3.0	100291-1	100292-1	100284-1

3 Position Housings for 4.0 mm Socket Contact M24 Version

Technical Features

No. of Positions:

3 Positions

Housing Material:

PBT

Wire Size Range:

0.5–4.0 mm²

Socket Contact:

Part No. **962952-1**
(0.5 to 1.0 mm²)

Part No. **962952-1**
(1.0 to 2.5 mm²)

Wire Seal:

Part No. **963243-1**
(1.4 to 2.1 mm diameter)

Part No. **963244-1**
(2.2 to 3.0 mm diameter)

Cavity Plug:

Part No. **100132-1**

Extraction Tool:

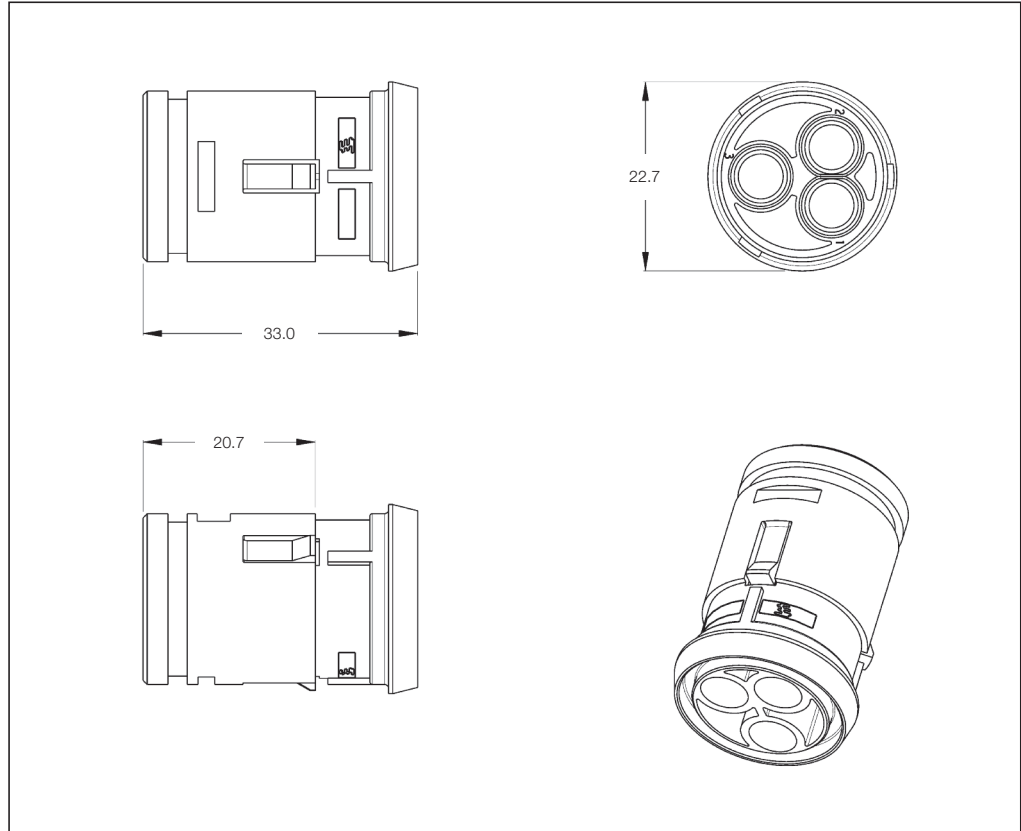
Part No. **1-1579007-9**

Spare Tube:

Part No. **5-1579007-1**

Wire Seal Hand Applicator:

Part No. **100653-1**



3 Position Housings for 4.0 mm Socket Contact M27 Version

Thread	Insulation Diameter (mm)	Part Numbers		
		Cover Right-Angle	Cover Straight	Connector Assembly
M27	1.4–3.0	100291-1	100292-1	100285-1

4 Position Housings for 4.0 mm Socket Contact 16S Bayonet Version

Technical Features

No. of Positions:

4 Positions

Housing Material:

PBT

Wire Size Range:

0.5–4.0 mm²

Socket Contact:

Part No. **962952-1**
(0.5 to 1.0 mm²)

Part No. **962952-1**
(1.0 to 2.5 mm²)

Wire Seal:

Part No. **963243-1**
(1.4 to 2.1 mm diameter)

Part No. **963244-1**
(2.2 to 3.0 mm diameter)

Cavity Plug:

Part No. **100132-1**

Extraction Tool:

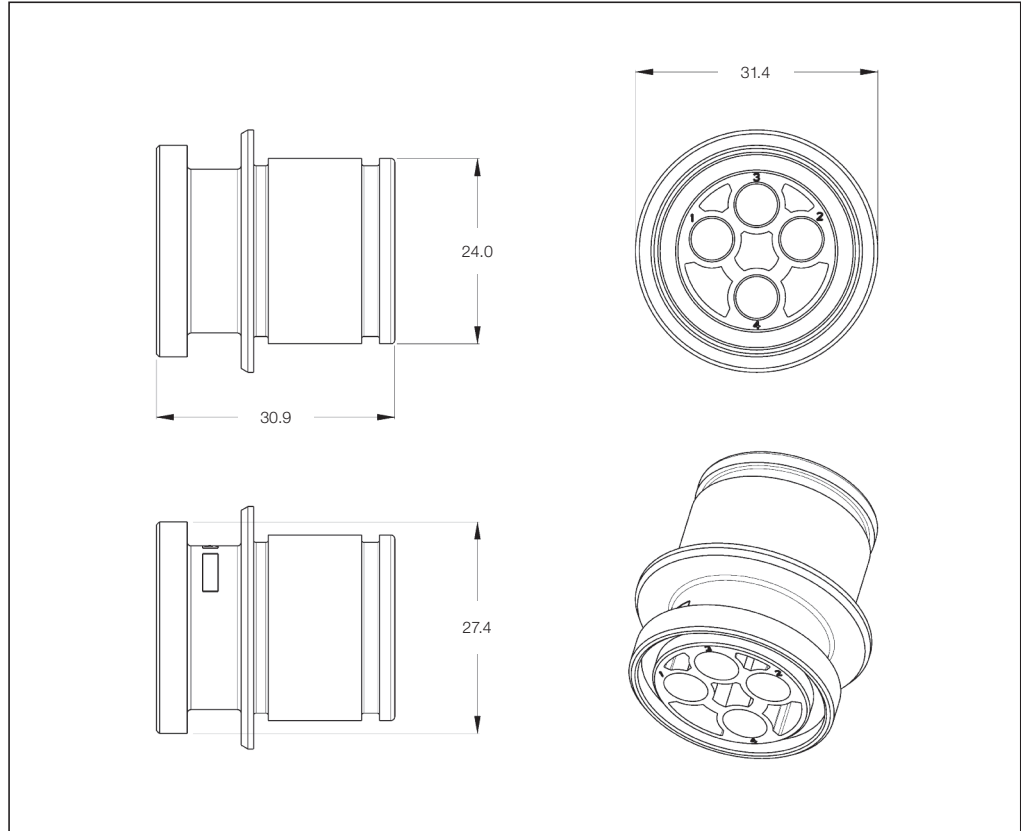
Part No. **1-1579007-9**

Spare Tube:

Part No. **5-1579007-1**

Wire Seal Hand Applicator:

Part No. **100653-1**



4 Position Housings for 4.0 mm Socket Contact M27 Version

Thread	Insulation Diameter (mm)	Part Numbers		
		Cover Right-Angle	Cover Straight	Connector Assembly
M27	1.4–3.0	100130-1	–	100201-1

Engineering Notes

A large grid area for engineering notes, consisting of a uniform grid of small squares. The grid is empty and occupies the majority of the page's central area.

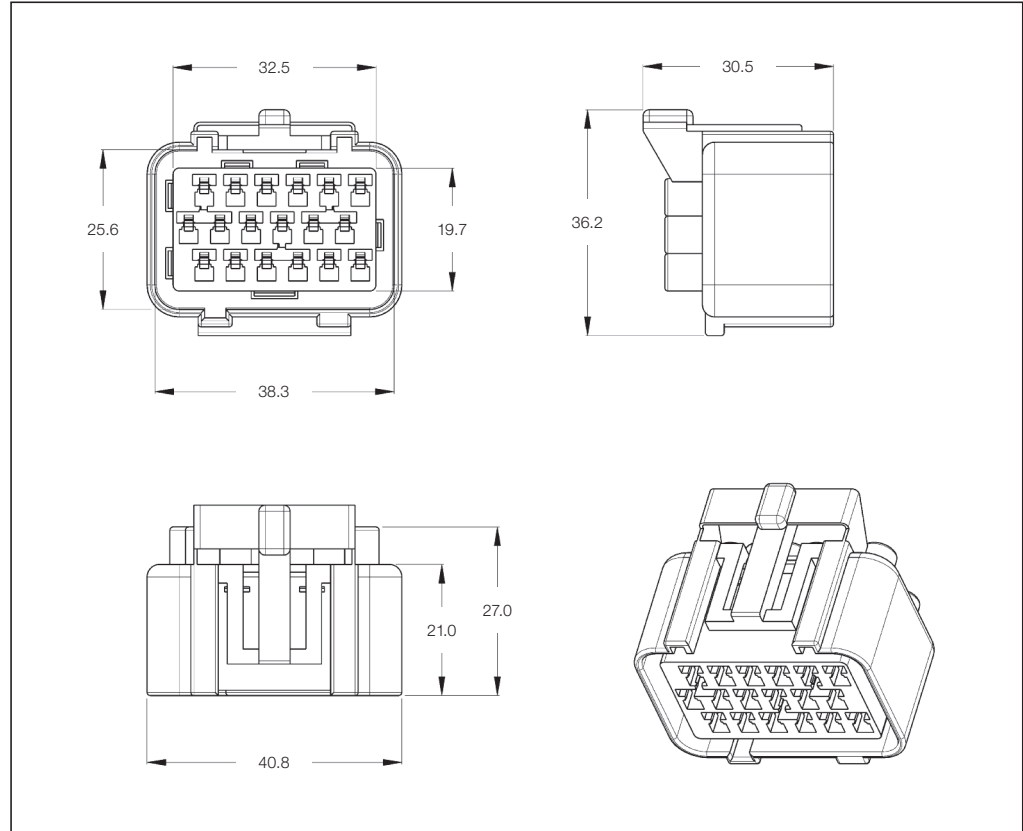
Socket Housings

Technical Features

No. of Positions:
18 Positions
Housing Material:
PA66
Wire Size Range:
0.2–2.0 mm²
Extraction Tool:
Part No. **1-1579007-5**

Product Specification:
108-3114

Application Specification:
114-5082



18 Position Socket Housing

Keying Options	Housing Color	Part Numbers				
		Socket Housing	Package Quantity	Socket Anti-Backout	Mating PCB Header Right-Angle	Vertical
–	Black	344106-1	100	1344107-1	344103-1	–

Socket Housings

Technical Features

No. of Positions:

36 Positions

Housing Material:

PA66

Wire Size Range:

0.2–2.0 mm²

Extraction Tool:

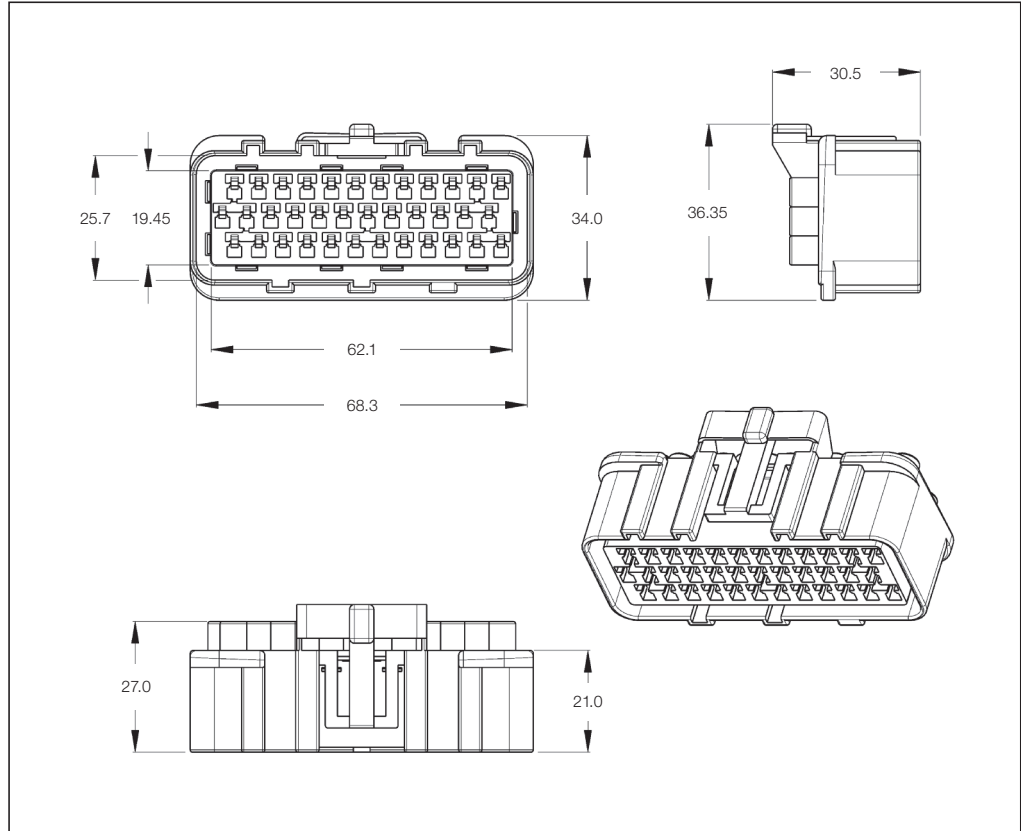
Part No. 1-1579007-5

Product Specification:

108-3114

Application Specification:

114-5082



36 Position Socket Housing

Keying Options	Housing Color	Part Numbers				
		Socket Housing	Package Quantity	Socket Anti-Backout	Mating PCB Header Right-Angle	Header Vertical
–	Black	344111-1	100	1344112-1	344108-1	–

Printed Circuit Board Headers

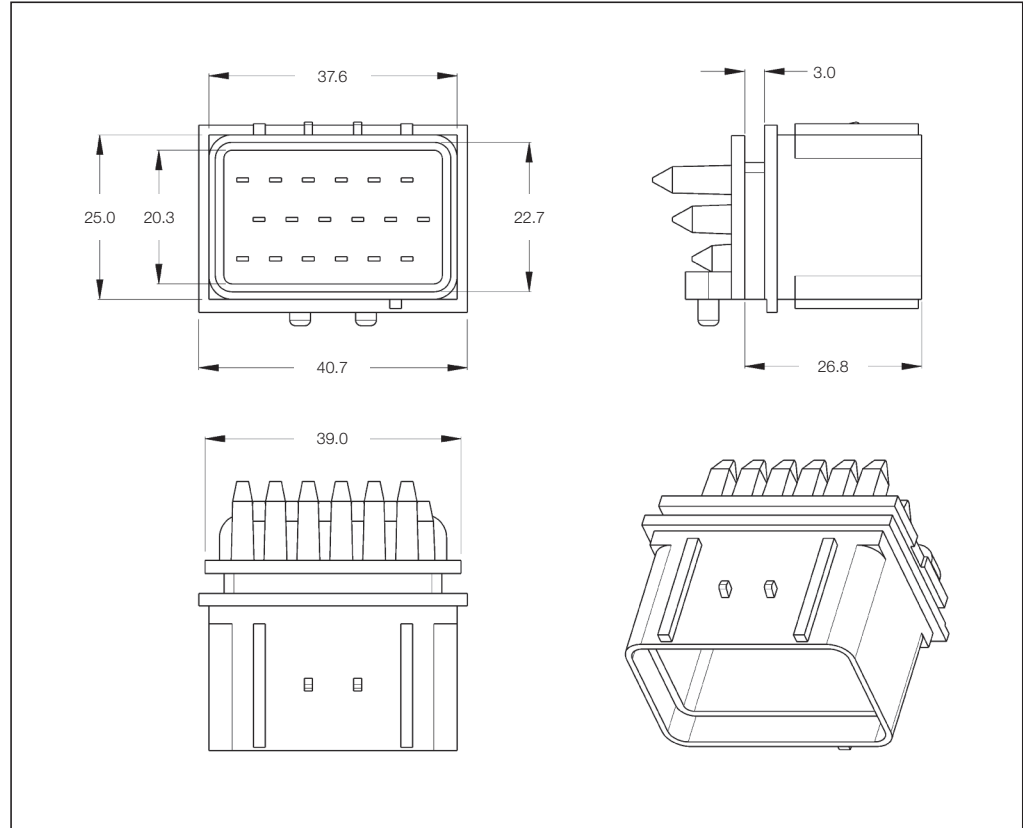
Technical Features

No. of Positions:
18 Positions

Housing Material:
PA66

Product Specification:
108-3114

Application Specification:
—



18 Position PC Board Header

Keying Options	Housing Color	Part Numbers			
		PCB Header Right-Angle	PCB Header Vertical	Package Quantity	Mating Socket Housing
—	Black	344103-1	—	195	344106-1

Printed Circuit Board Headers

Technical Features

No. of Positions:

36 Positions

Housing Material:

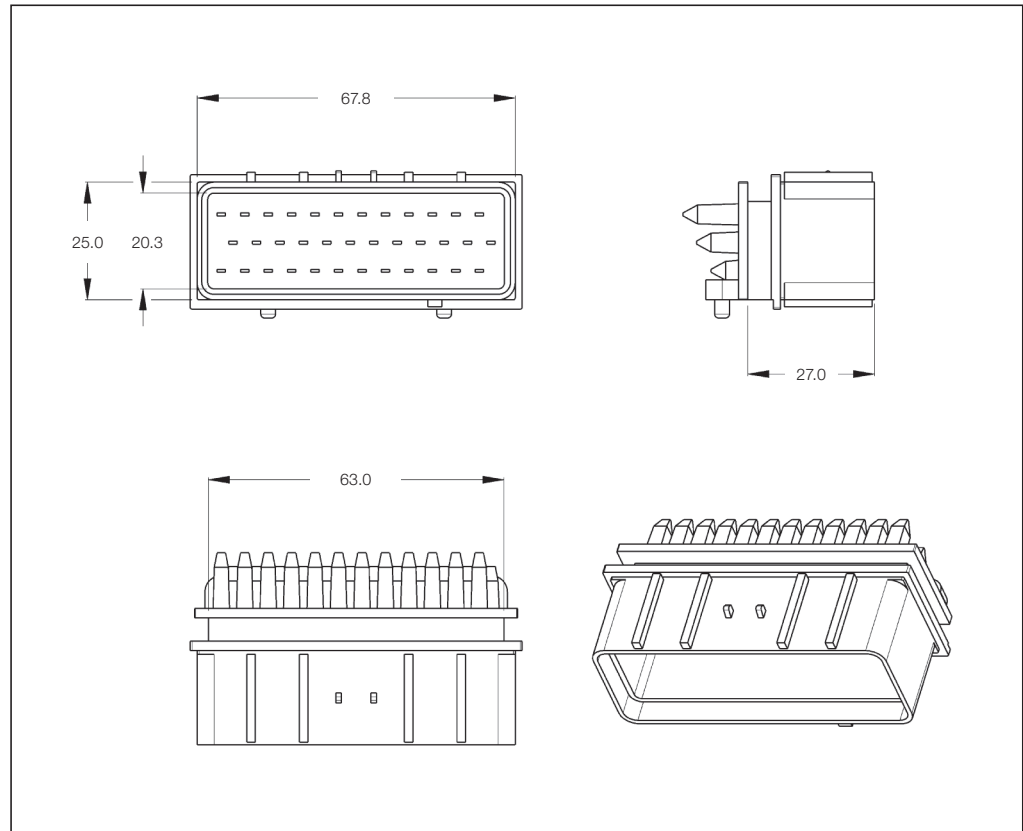
PA66

Product Specification:

108-3114

Application Specification:

—



36 Position PC Board Header

Keying Options	Housing Color	Part Numbers			
		PCB Header Right-Angle	PCB Header Vertical	Package Quantity	Mating Socket Housing
—	Black	344108-1	—	117	344111-1

Sealed Socket Housings

Technical Features

No. of Positions:

2 Positions

Housing Material:

PA66

Wire Size Range:

0.2–2.0 mm²

Extraction Tool:

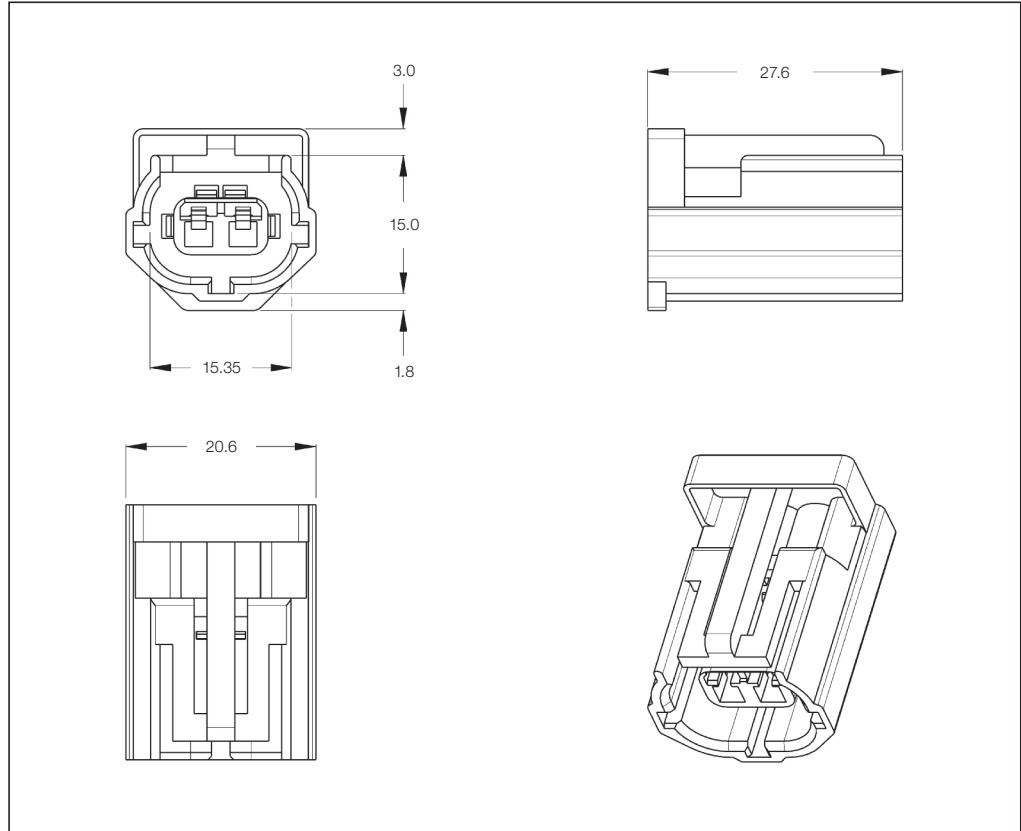
Part No. **1-1579007-5**

Product Specification:

108-3069

Application Specification:

114-3040



2 Position Socket Housing

Keying Options	Housing Color*	Part Numbers			
		Socket Housing	Package Quantity	Socket Anti-Backout	Mating Pin Housing
–	Black	344276-1	500	345254-1	344274-1

*) Other colors on request.

Sealed Socket Housings

Technical Features

No. of Positions:

3 Positions

Housing Material:

PA66

Wire Size Range:

0.2–2.0 mm²

Extraction Tool:

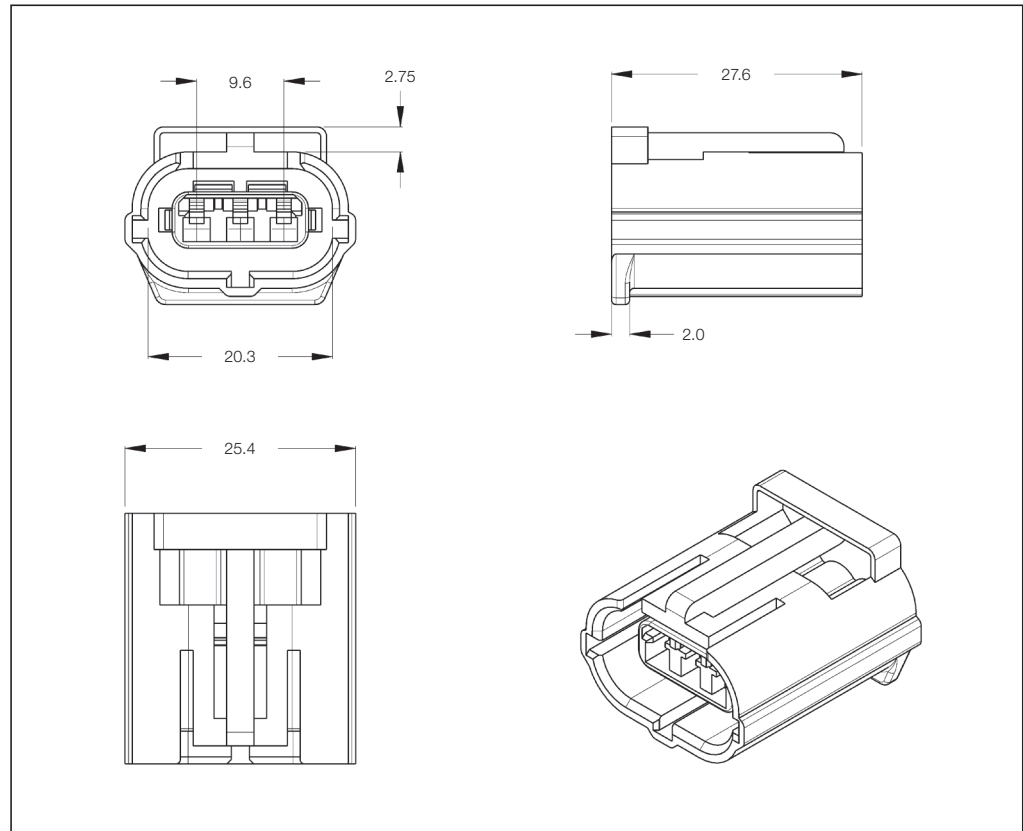
Part No. **1-1579007-5**

Product Specification:

108-3069

Application Specification:

114-3040



3 Position Socket Housing

Keying Options	Housing Color*	Part Numbers			
		Socket Housing	Package Quantity	Socket Anti-Backout	Mating Pin Housing
–	Black	344273-1	500	345256-1	344271-1

*) Other colors on request.

Sealed Socket Housings

Technical Features

No. of Positions:

4 Positions

Housing Material:

PA66

Wire Size Range:

0.2–2.0 mm²

Extraction Tool:

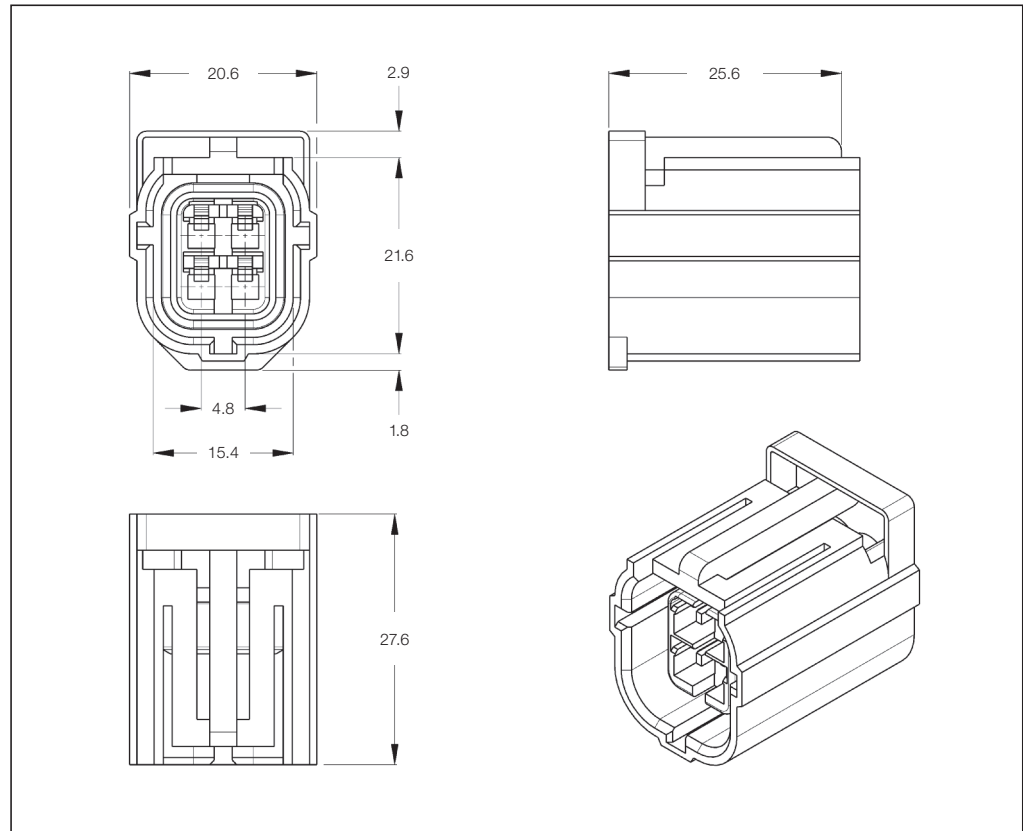
Part No. **1-1579007-5**

Product Specification:

108-3069

Application Specification:

114-3040



4 Position Socket Housing

Keying Options	Housing Color*	Part Numbers			
		Socket Housing	Package Quantity	Socket Anti-Backout	Mating Pin Housing
–	Black	344270-1	500	345258-1	344268-1

*) Other colors on request.

Sealed Socket Housings

Technical Features

No. of Positions:

6 Positions

Housing Material:

PA66

Wire Size Range:

0.2–2.0 mm²

Extraction Tool:

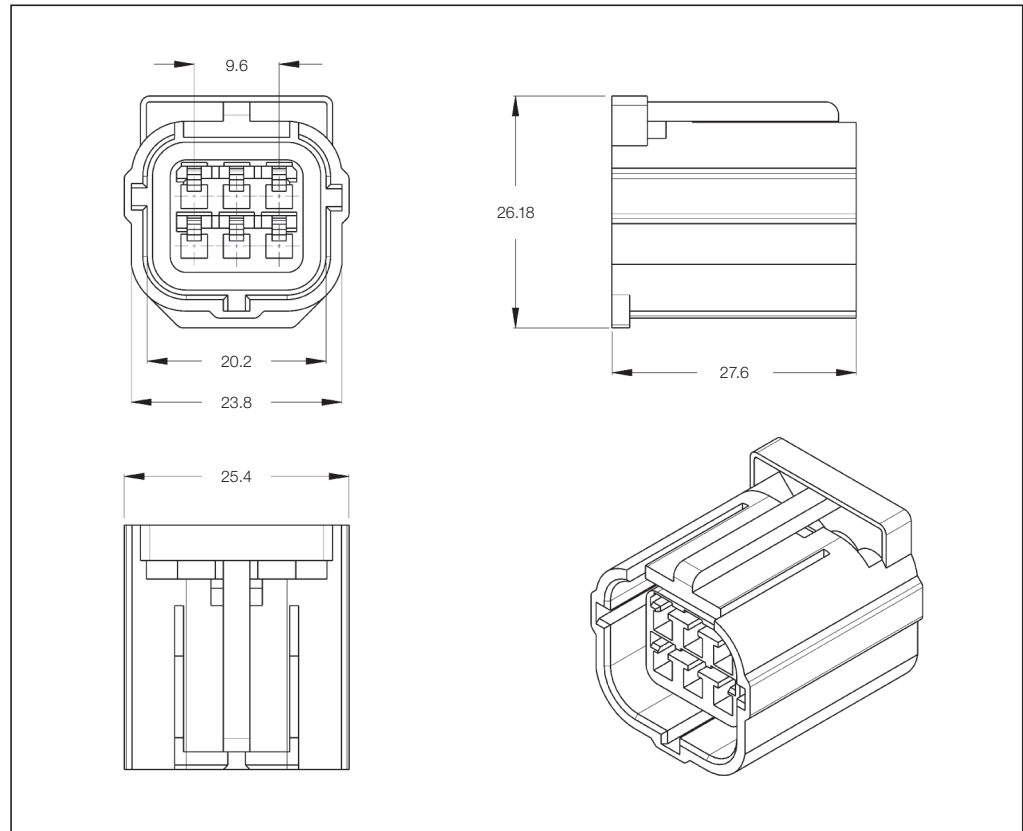
Part No. **1-1579007-5**

Product Specification:

108-3069

Application Specification:

114-3040



6 Position Socket Housing

Keying Options	Housing Color*	Part Numbers			
		Socket Housing	Package Quantity	Socket Anti-Backout	Mating Pin Housing
–	Black	344267-1	500	345260-1	344265-1

*) Other colors on request.

Sealed Socket Housings

Technical Features

No. of Positions:

13 Positions

Housing Material:

PA66

Wire Size Range:

0.2–2.0 mm²

Extraction Tool:

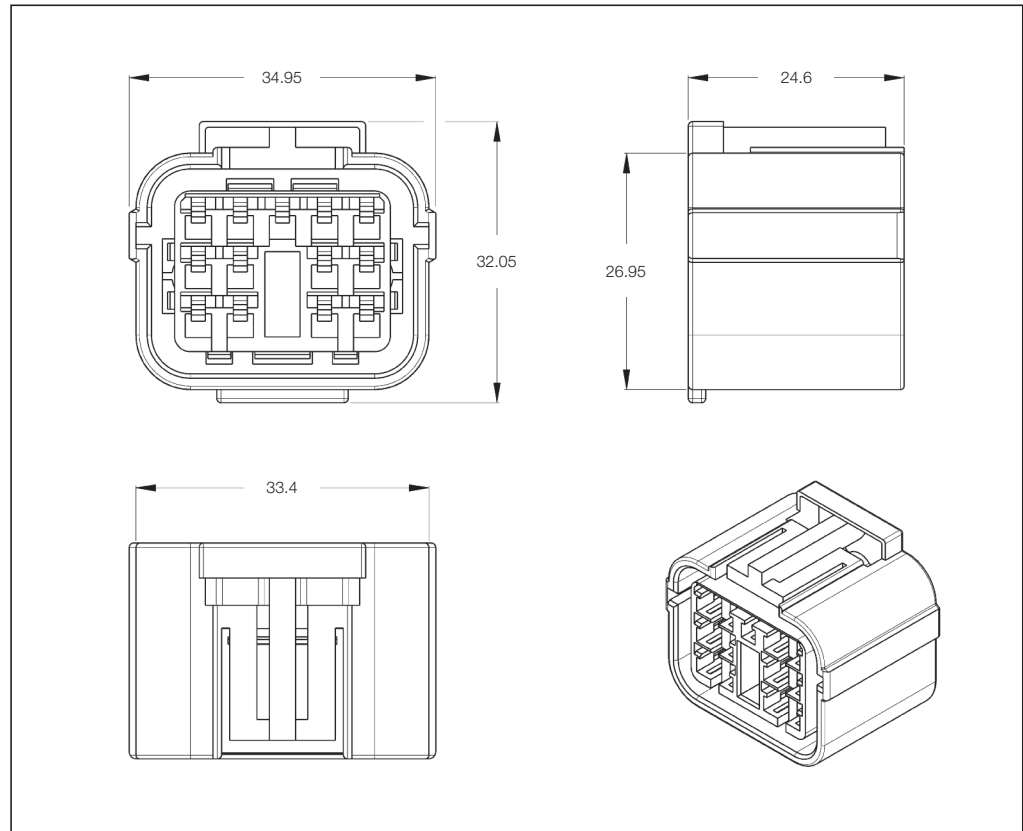
Part No. **1-1579007-5**

Product Specification:

108-3069

Application Specification:

114-3040



13 Position Socket Housing

Keying Options	Housing Color*	Part Numbers			
		Socket Housing	Package Quantity	Socket Anti-Backout	Mating Pin Housing
–	Black	344263-1	200	345264-1	344260-1

*) Other colors on request.

Sealed Pin Housings

Technical Features

No. of Positions:

2 Positions

Housing Material:

PA66

Wire Size Range:

0.2–2.0 mm²

Extraction Tool:

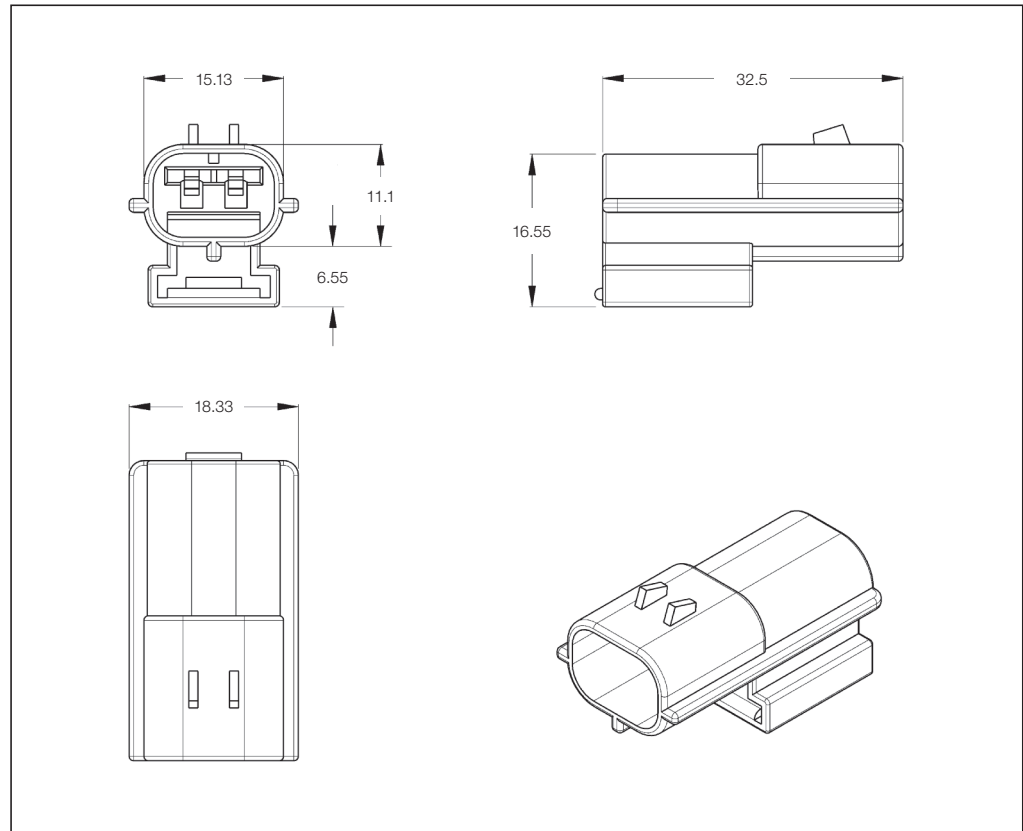
Part No. **1-1579007-5**

Product Specification:

108-3069

Application Specification:

114-3040



3 Position Pin Housing

Keying Options	Housing Color*	Part Numbers			
		Pin Housing	Package Quantity	Pin Anti-Backout	Mating Socket Housing
–	Black	344274-1	4,000	345253-1	344276-1

*) Other colors on request.

Sealed Pin Housings

Technical Features

No. of Positions:

3 Positions

Housing Material:

PA66

Wire Size Range:

0.2–2.0 mm²

Extraction Tool:

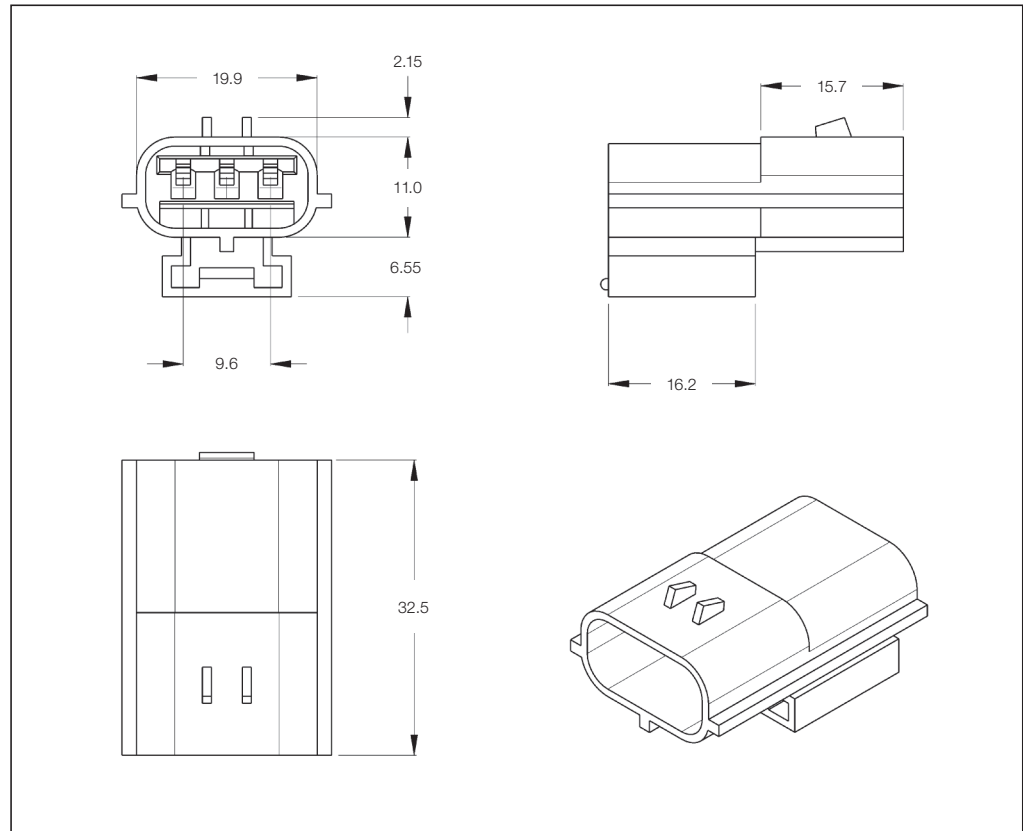
Part No. **1-1579007-5**

Product Specification:

108-3069

Application Specification:

114-3040



3 Position Pin Housing

Keying Options	Housing Color*	Part Numbers			
		Pin Housing	Package Quantity	Pin Anti-Backout	Mating Socket Housing
–	Black	344271-1	3,300	345255-1	344273-1

*) Other colors on request.

Sealed Pin Housings

Technical Features

No. of Positions:

4 Positions

Housing Material:

PA66

Wire Size Range:

0.2–2.0 mm²

Extraction Tool:

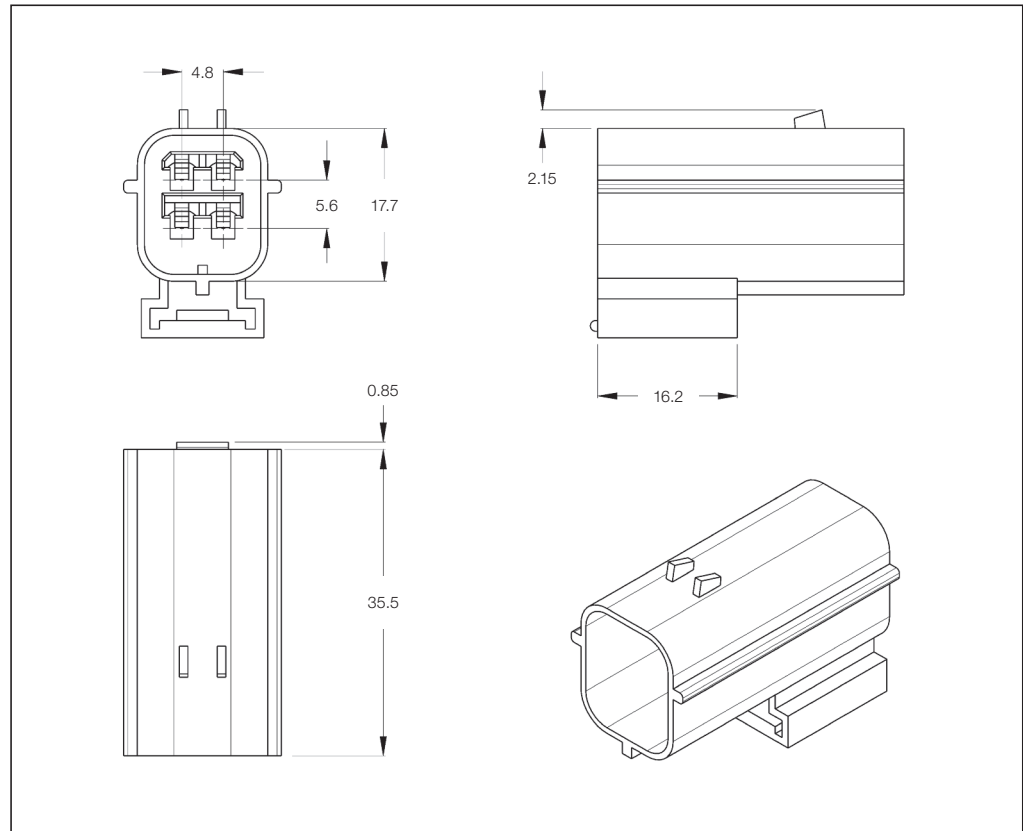
Part No. **1-1579007-5**

Product Specification:

108-3069

Application Specification:

114-3040



4 Position Pin Housing

Keying Options	Housing Color*	Part Numbers			
		Pin Housing	Package Quantity	Pin Anti-Backout	Mating Socket Housing
–	Black	344268-1	2,500	345257-1	344270-1

*) Other colors on request.

Sealed Pin Housings

Technical Features

No. of Positions:

6 Positions

Housing Material:

PA66

Wire Size Range:

0.2–2.0 mm²

Extraction Tool:

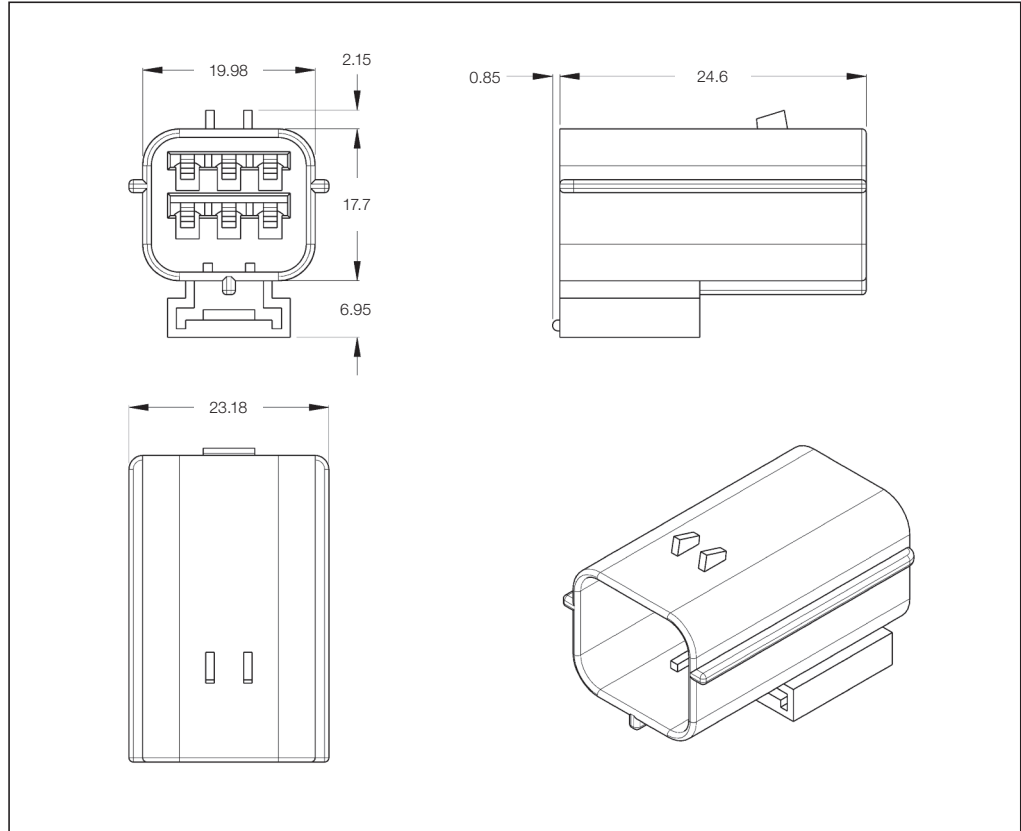
Part No. **1-1579007-5**

Product Specification:

108-3069

Application Specification:

114-3040



6 Position Pin Housing

Keying Options	Housing Color*	Part Numbers			
		Pin Housing	Package Quantity	Pin Anti-Backout	Mating Socket Housing
–	Black	344265-1	2,000	345259-1	344267-1

*) Other colors on request.

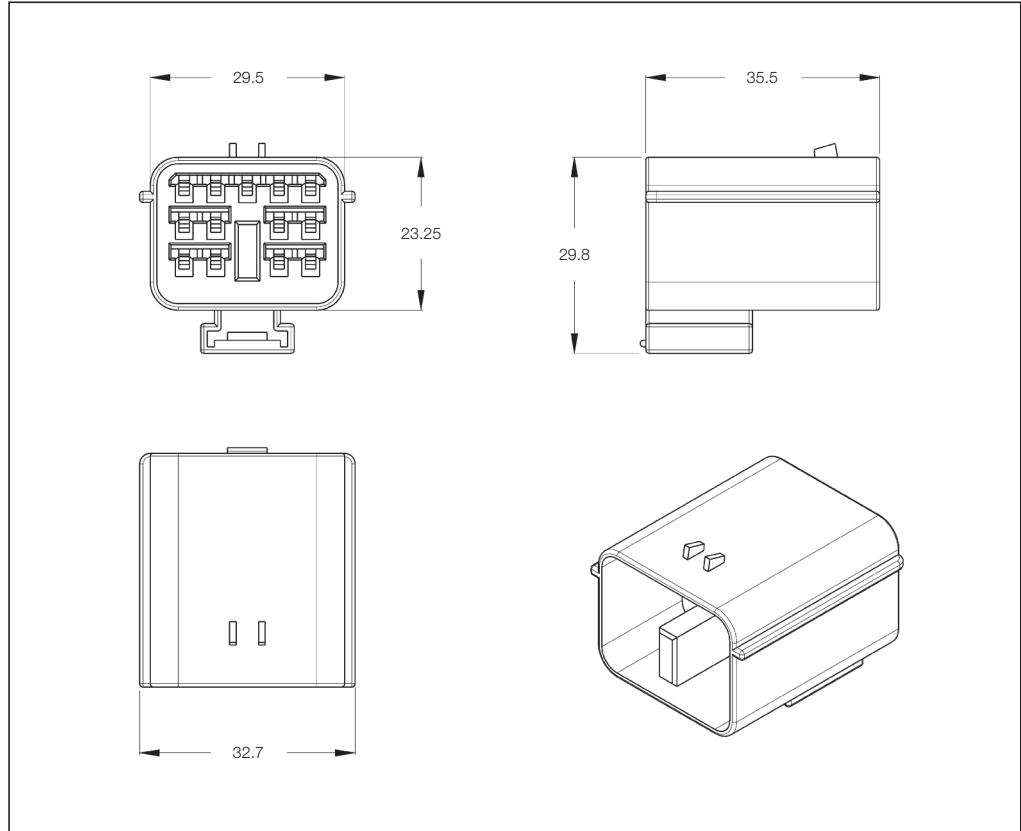
Sealed Pin Housings

Technical Features

No. of Positions:
13 Positions
Housing Material:
PA66
Wire Size Range:
0.2–2.0 mm²
Extraction Tool:
Part No. **1-1579007-5**

Product Specification:
108-3069

Application Specification:
114-3040



13 Position Pin Housing

Keying Options	Housing Color*	Part Numbers			
		Pin Housing	Package Quantity	Pin Anti-Backout	Mating Socket Housing
–	Black	344260-1	1,000	345261-1	344263-1

*) Other colors on request.

Sealed Socket Housings

Technical Features

No. of Positions:

2 Positions

Housing Material:

PA66

Wire Size Range:

0.5–3.0 mm²

Extraction Tool:

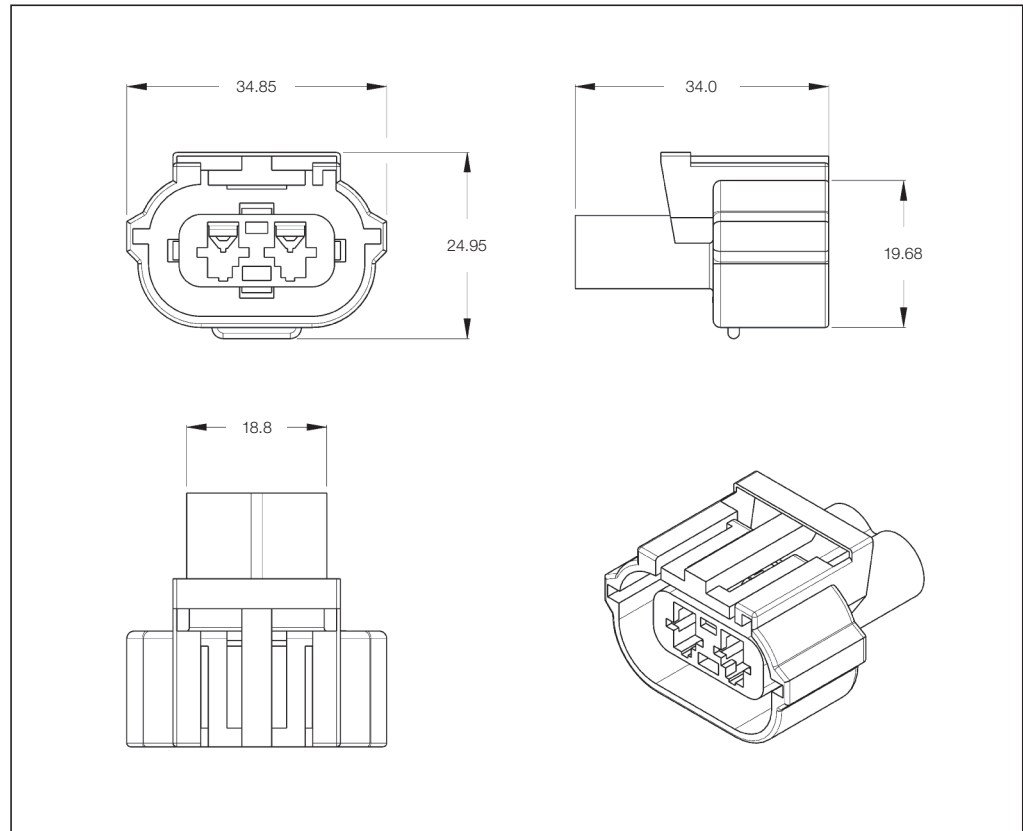
Part No. **724712-1**

Product Specification:

108-3069

Application Specification:

—



2 Position Socket Housing

Keying Options	Housing Color*	Part Numbers			
		Socket Housing	Package Quantity	Socket Anti-Backout	Mating Pin Housing
–	Black	344081-1	300	345089-1	344075-1

*) Other colors on request.

Sealed Socket Housings

Technical Features

No. of Positions:

4 Positions

Housing Material:

PA66

Wire Size Range:

0.5–3.0 mm²

Extraction Tool:

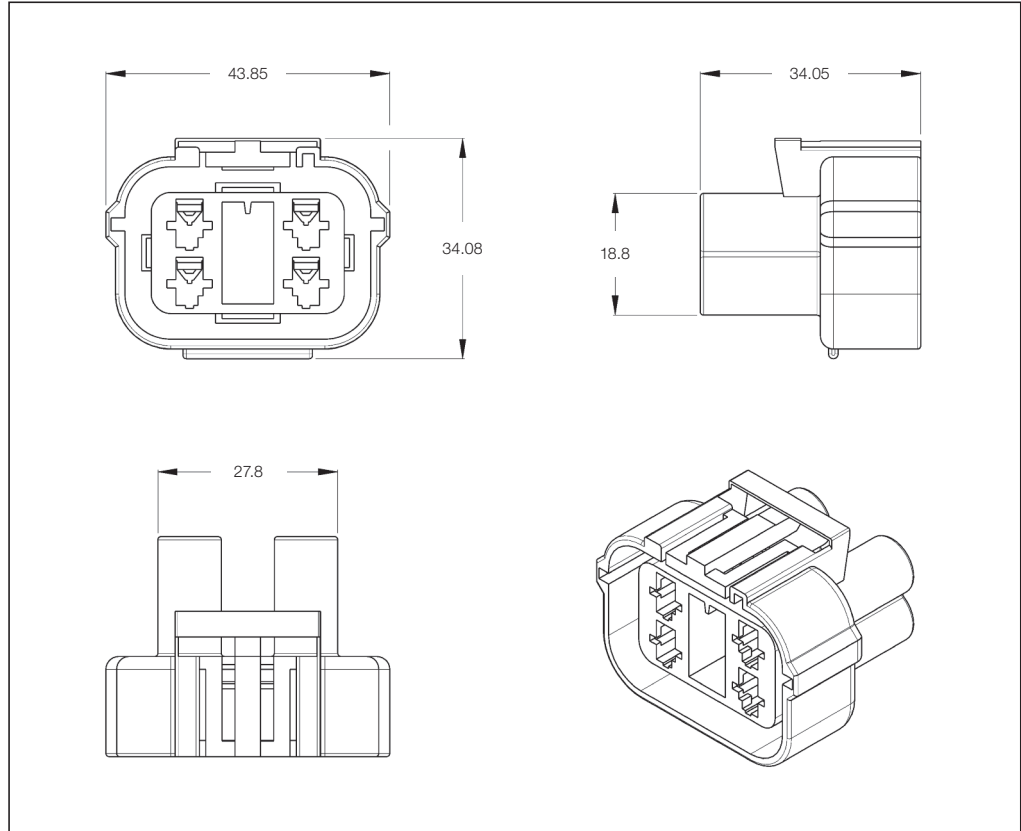
Part No. **724712-1**

Product Specification:

108-3069

Application Specification:

—



4 Position Socket Housing

Keying Options	Housing Color*	Part Numbers			
		Socket Housing	Package Quantity	Socket Anti-Backout	Mating Pin Housing
–	Black	344080-1	150	344087-1	344074-1

*) Other colors on request.

Sealed Socket Housings

Technical Features

No. of Positions:

8 Positions

Housing Material:

PA66

Wire Size Range:

0.5–3.0 mm²

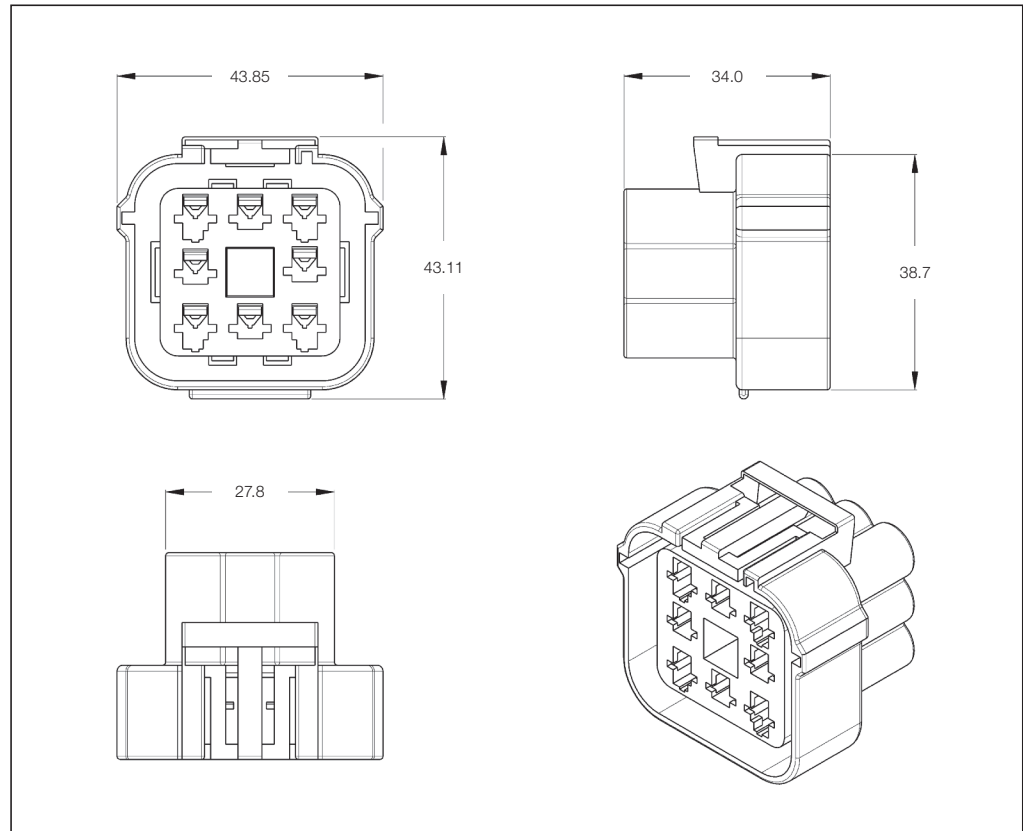
Extraction Tool:

Part No. **724712-1**

Product Specification:

108-3069

Application Specification:



8 Position Socket Housing

Keying Options	Housing Color*	Part Numbers			
		Socket Housing	Package Quantity	Socket Anti-Backout	Mating Pin Housing
–	Black	344079-1	100	344085-1	344073-1

*) Other colors on request.

Sealed Pin Housings

Technical Features

No. of Positions:

2 Positions

Housing Material:

PA66

Wire Size Range:

0.5–3.0 mm²

Extraction Tool:

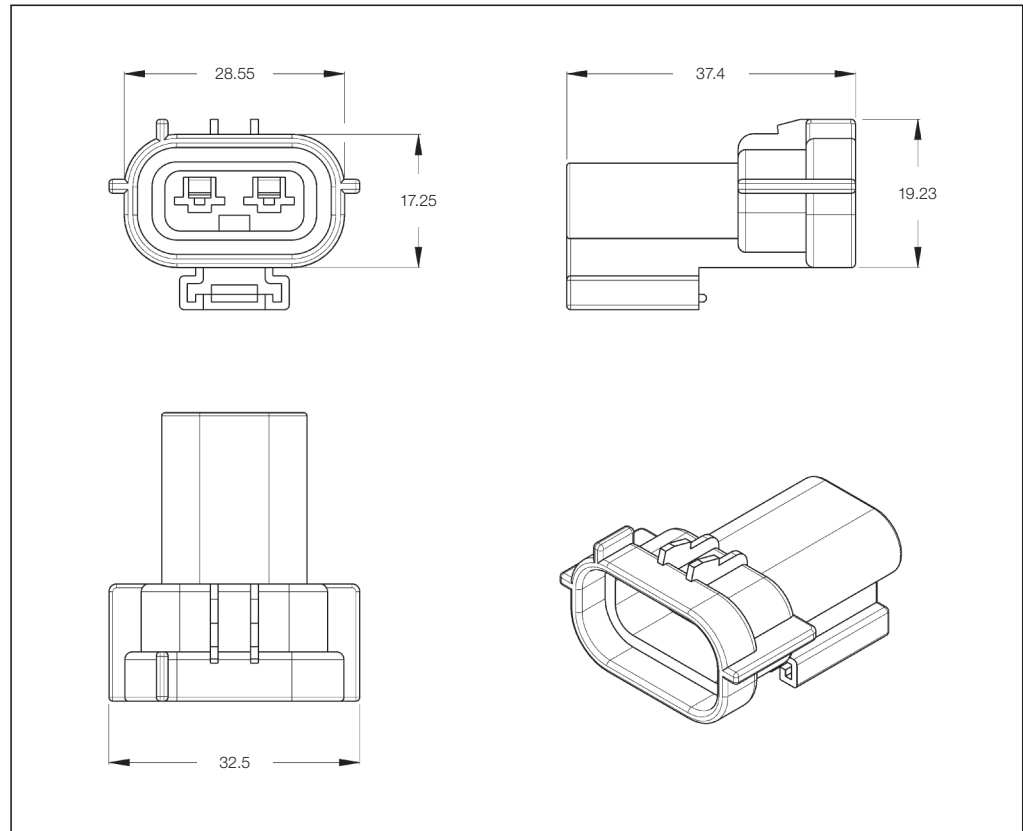
Part No. **724713-1**

Product Specification:

108-3069

Application Specification:

—



2 Position Pin Housing

Keying Options	Housing Color*	Part Numbers			
		Pin Housing	Package Quantity	Pin Anti-Backout	Mating Socket Housing
–	Black	344075-1	2,000	344090-1	344081-1

*) Other colors on request.

Sealed Pin Housings

Technical Features

No. of Positions:

4 Positions

Housing Material:

PA66

Wire Size Range:

0.5–3.0 mm²

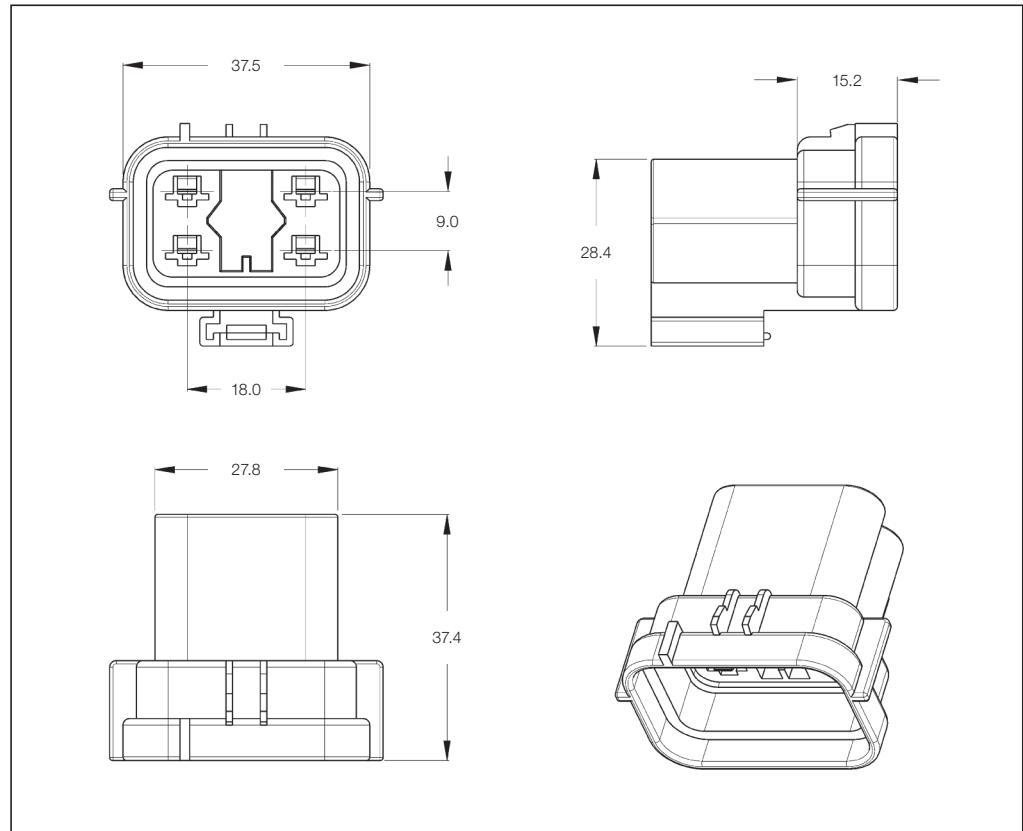
Extraction Tool:

Part No. **724713-1**

Product Specification:

108-3069

Application Specification:



4 Position Pin Housing

Keying Options	Housing Color*	Part Numbers			
		Pin Housing	Package Quantity	Pin Anti-Backout	Mating Socket Housing
–	Black	344074-1	1,000	344088-1	344080-1

*) Other colors on request.

Sealed Pin Housings

Technical Features

No. of Positions:

8 Positions

Housing Material:

PA66

Wire Size Range:

0.5–3.0 mm²

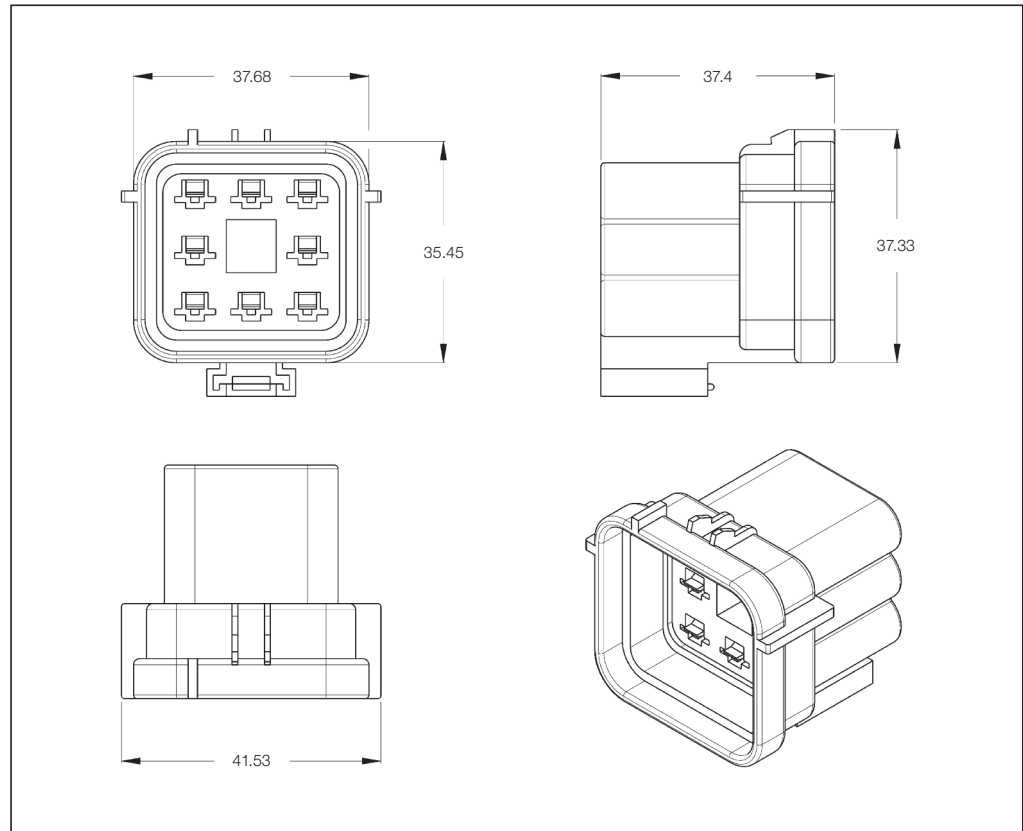
Extraction Tool:

Part No. **724713-1**

Product Specification:

108-3069

Application Specification:



8 Position Pin Housing

Keying Options	Housing Color*	Part Numbers			
		Pin Housing	Package Quantity	Pin Anti-Backout	Mating Socket Housing
–	Black	344073-1	700	344086-1	344079-1

*) Other colors on request.

1 Position Socket (Plug) Housing

Technical Features

No. of Positions:

1 Position

Housing Material:

PBT

Wire Size Range:

0.20–1.25 mm²
(24–16 AWG)

Product Specification:

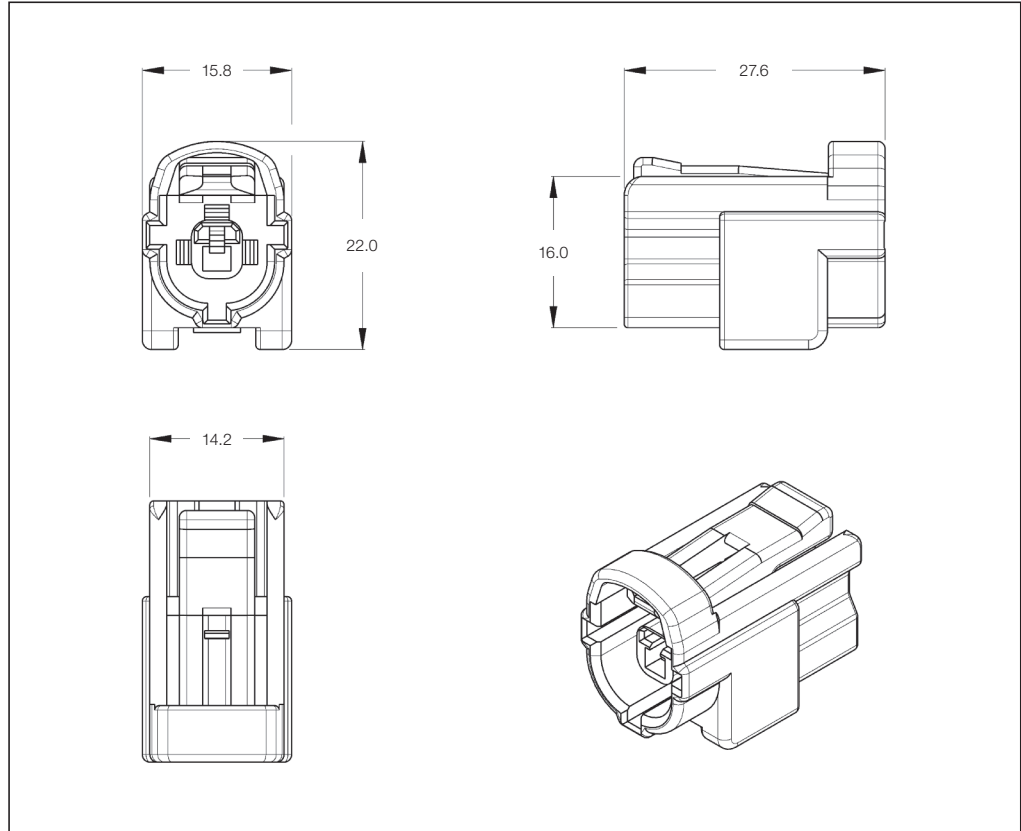
108-5262

Application Specification:

114-5082

Instruction Sheet:

412-5325



1 Position Socket (Plug) Housing

Keying Options	Housing Color	Part Numbers			
		Socket (Plug) Housing	Package Quantity	Socket Lock Plate	Mating Pin (Cap) Housing
–	Black	174877-2	100	174878-7 (Yellow) 1-174878-1 (White)	174879-2

2 Position Socket (Plug) Housing

Technical Features

No. of Positions:

2 Positions

Housing Material:

PBT

Wire Size Range:

0.20–1.25 mm²
(24–16 AWG)

Product Specification:

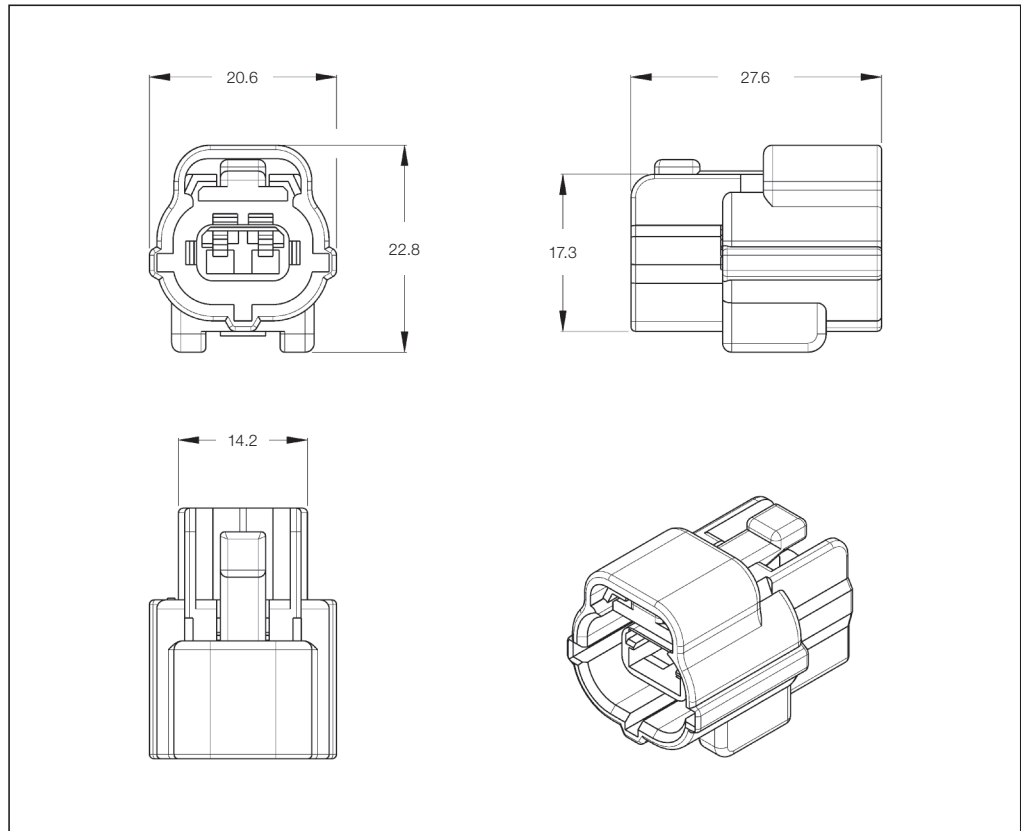
108-5262

Application Specification:

114-5082

Instruction Sheet:

412-5325



2 Position Socket (Plug) Housing

Keying Options	Housing Color	Part Numbers			
		Socket (Plug) Housing	Package Quantity	Socket Lock Plate	Mating Pin (Cap) Housing
–	Black	174352-2	100	174353-7 (Yellow) 1-174353-1 (White)	174354-2

3 Position Socket (Plug) Housing

Technical Features

No. of Positions:

3 Positions

Housing Material:

PBT

Wire Size Range:

0.20–1.25 mm²
(24–16 AWG)

Product Specification:

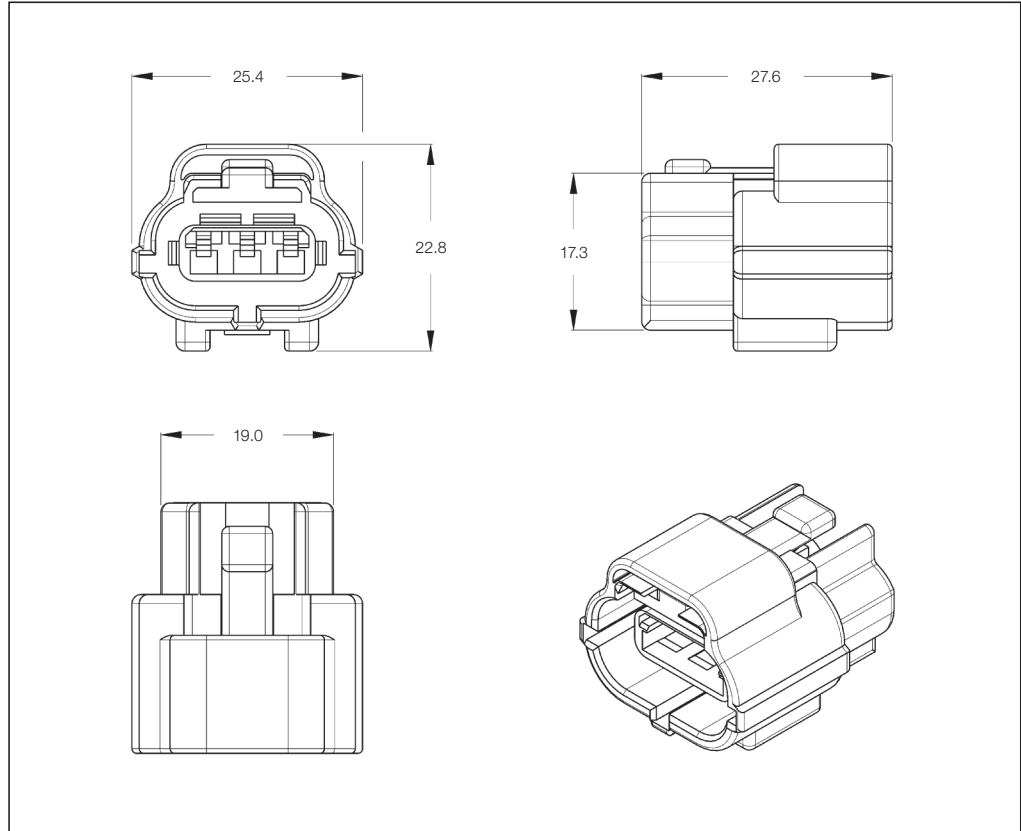
108-5262

Application Specification:

114-5082

Instruction Sheet:

412-5325



3 Position Socket (Plug) Housing

Keying Options	Housing Color	Part Numbers			
		Socket (Plug) Housing	Package Quantity	Socket Lock Plate	Mating Pin (Cap) Housing
–	Black	174357-2	100	174358-7 (Yellow) 1-174358-1 (White)	174359-2

4 Position Socket (Plug) Housing

Technical Features

No. of Positions:

4 Positions

Housing Material:

PBT

Wire Size Range:

0.20–1.25 mm²
(24–16 AWG)

Product Specification:

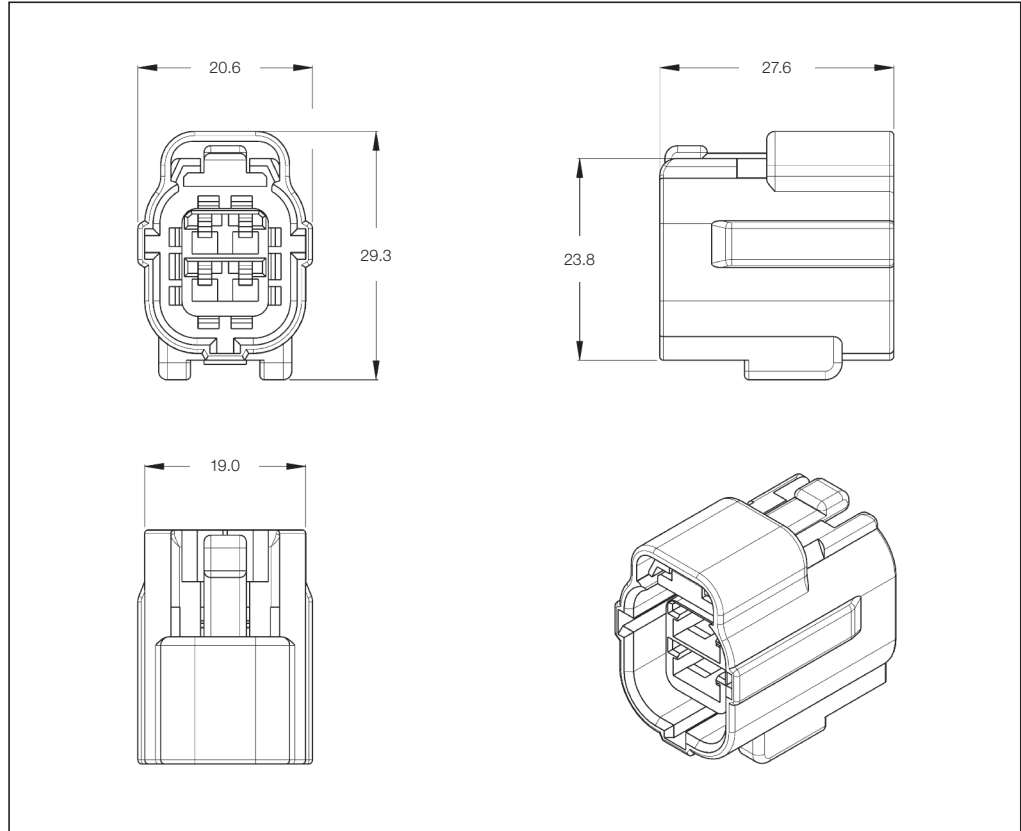
108-5262

Application Specification:

114-5082

Instruction Sheet:

412-5325



4 Position Socket (Plug) Housing

Keying Options	Housing Color	Part Numbers			
		Socket (Plug) Housing	Package Quantity	Socket Lock Plate	Mating Pin (Cap) Housing
–	Black	174257-2	100	174258-7 (Yellow) 1-174258-1 (White)	174259-2

6 Position Socket (Plug) Housing

Technical Features

No. of Positions:

6 Positions

Housing Material:

PBT

Wire Size Range:

0.20–1.25 mm²
(24–16 AWG)

Product Specification:

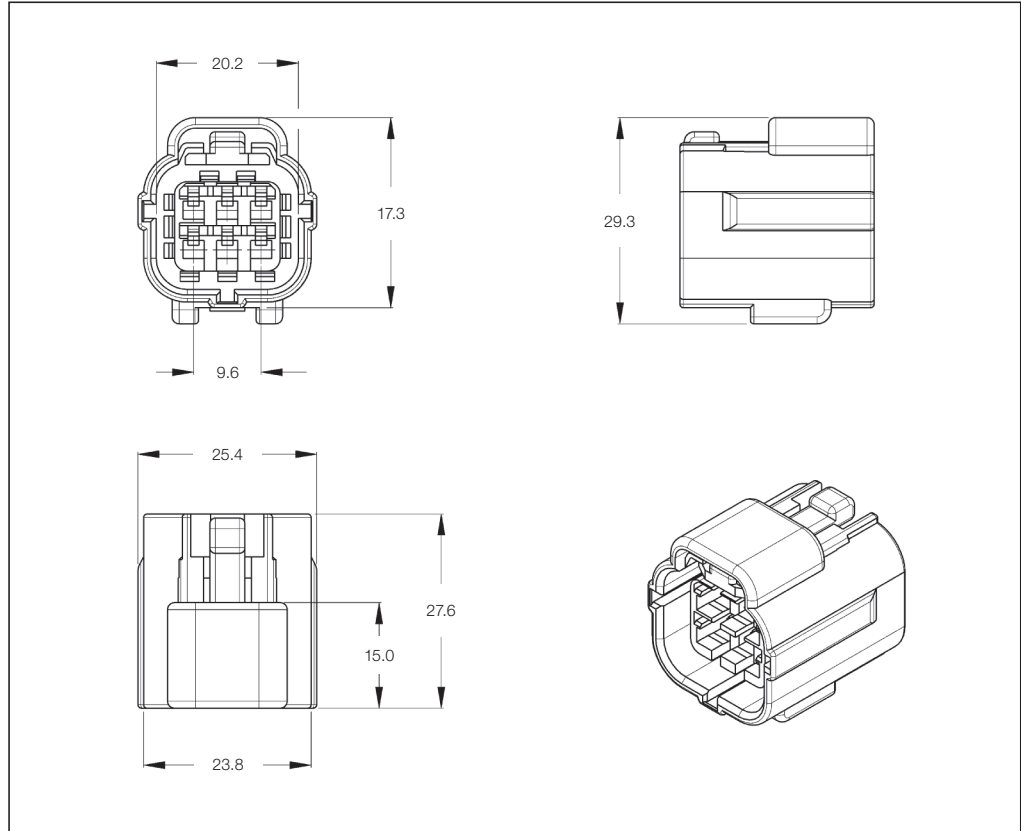
108-5262

Application Specification:

114-5082

Instruction Sheet:

412-5325



6 Position Socket (Plug) Housing

Keying Options	Housing Color	Part Numbers			
		Socket (Plug) Housing	Package Quantity	Socket Lock Plate	Mating Pin (Cap) Housing
–	Black	174262-2	100	174263-7 (Yellow) 1-174263-1 (White)	174264-2

8 Position Socket (Plug) Housing

Technical Features

No. of Positions:

8 Positions

Housing Material:

PBT

Wire Size Range:

0.20–1.25 mm²
(24–16 AWG)

Product Specification:

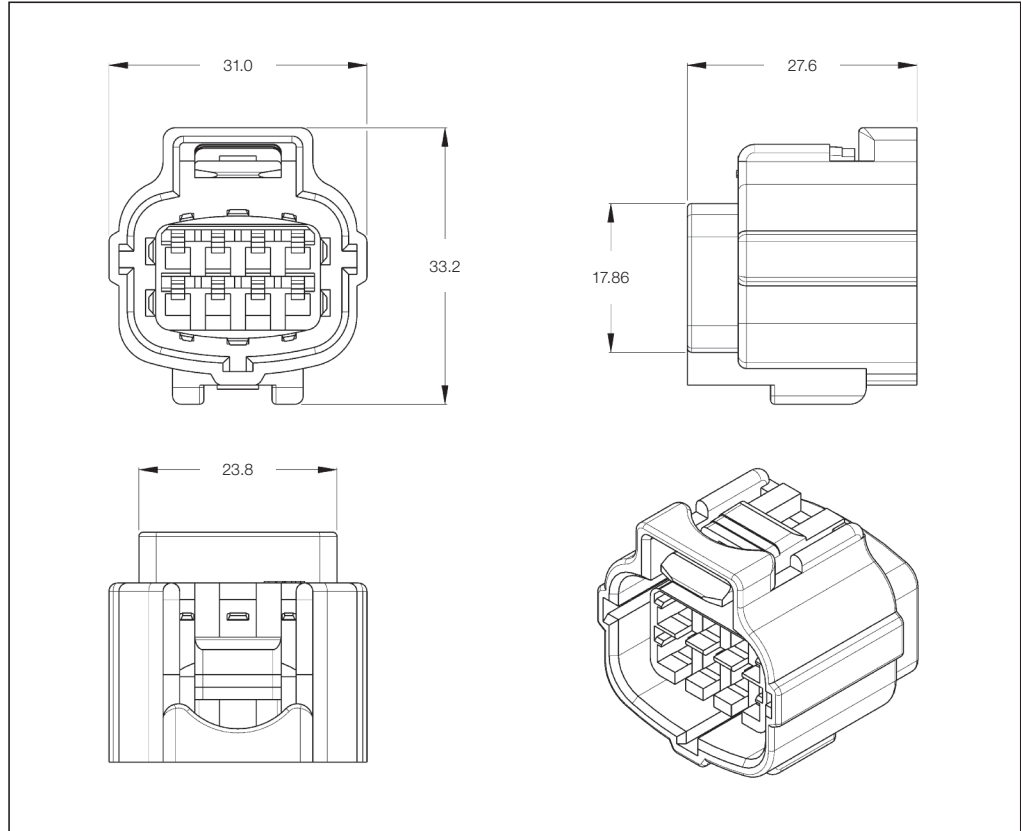
108-5262

Application Specification:

114-5082

Instruction Sheet:

412-5325



8 Position Socket (Plug) Housing

Keying Options	Housing Color	Part Numbers			
		Socket (Plug) Housing	Package Quantity	Socket Lock Plate	Mating Pin (Cap) Housing
–	Black	174982-2	100	174983-7 (Yellow) 1-174983-1 (White)	174984-2

10 Position Socket (Plug) Housing

Technical Features

No. of Positions:

10 Positions

Housing Material:

PBT

Wire Size Range:

0.20–1.25 mm²
(24–16 AWG)

Product Specification:

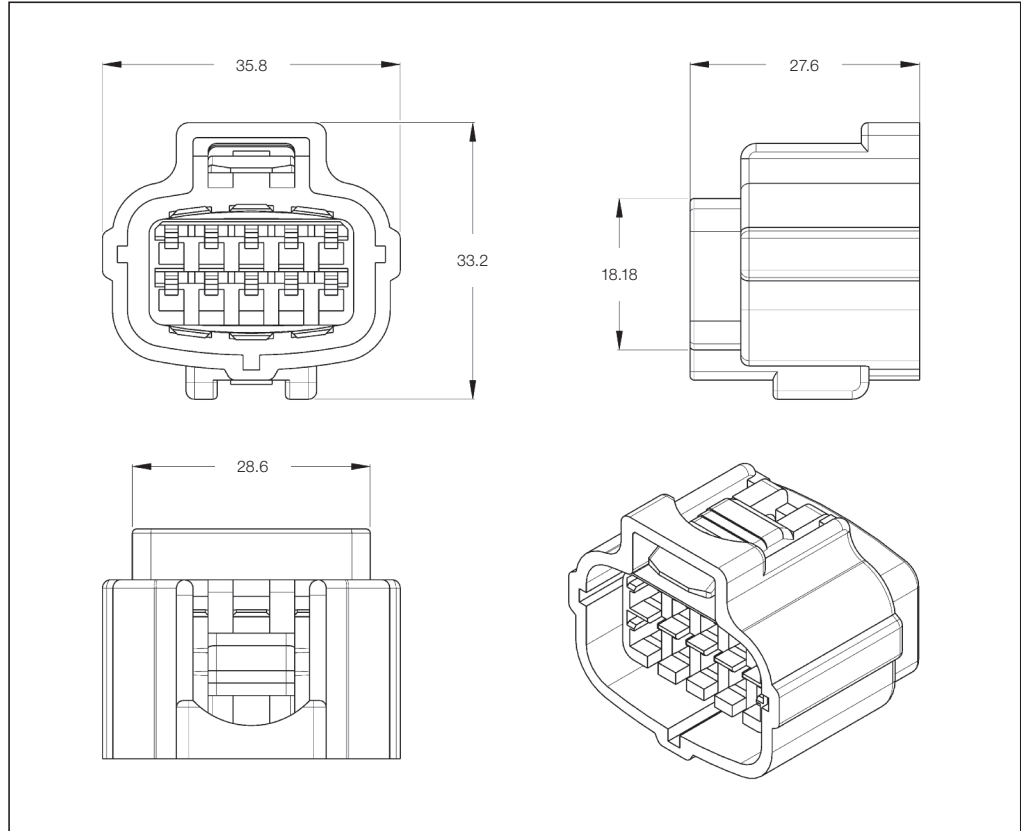
108-5262

Application Specification:

114-5082

Instruction Sheet:

412-5325



10 Position Socket (Plug) Housing

Keying Options	Housing Color	Part Numbers			
		Socket (Plug) Housing	Package Quantity	Socket Lock Plate	Mating Pin (Cap) Housing
–	Black	174655-2	100	174656-7 (Yellow) 1-174656-1 (White)	174657-2

12 Position Socket (Plug) Housing

Technical Features

No. of Positions:

12 Positions

Housing Material:

PBT

Wire Size Range:

0.20–1.25 mm²
(24–16 AWG)

Product Specification:

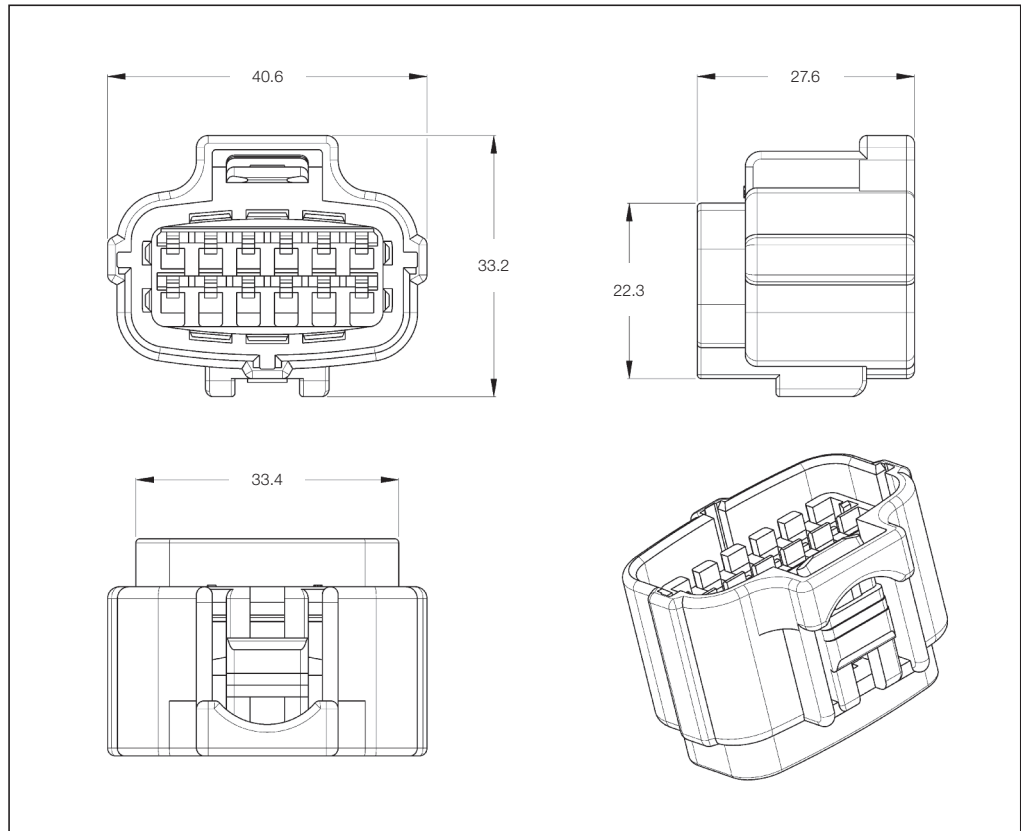
108-5262

Application Specification:

114-5082

Instruction Sheet:

412-5325



12 Position Socket (Plug) Housing

Keying Options	Housing Color	Part Numbers			
		Socket (Plug) Housing	Package Quantity	Socket Lock Plate	Mating Pin (Cap) Housing
–	Black	174661-2	100	174662-7 (Yellow) 1-174662-1 (White)	174663-2

1 Position Pin (Cap) Housing

Technical Features

No. of Positions:

1 Position

Housing Material:

PBT

Wire Size Range:

0.20–1.25 mm²
(24–16 AWG)

Product Specification:

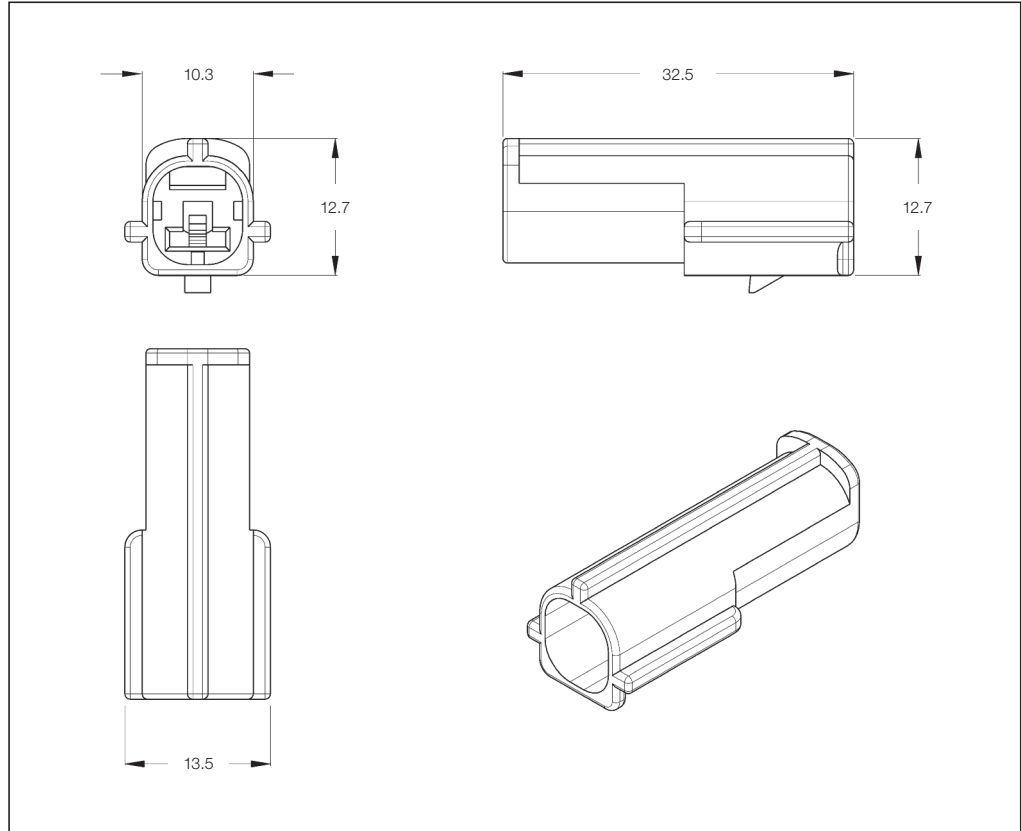
108-5262

Application Specification:

114-5082

Instruction Sheet:

412-5325



1 Position Pin (Cap) Housing

Keying Options	Housing Color	Part Numbers			
		Pin (Cap) Housing	Package Quantity	Pin Lock Plate	Mating Socket (Plug) Housing
–	Black	174879-2	100	174880-7 (Yellow) 1-174880-1 (White)	174877-2

2 Position Pin (Cap) Housing

Technical Features

No. of Positions:

2 Positions

Housing Material:

PBT

Wire Size Range:

0.20–1.25 mm²
(24–16 AWG)

Product Specification:

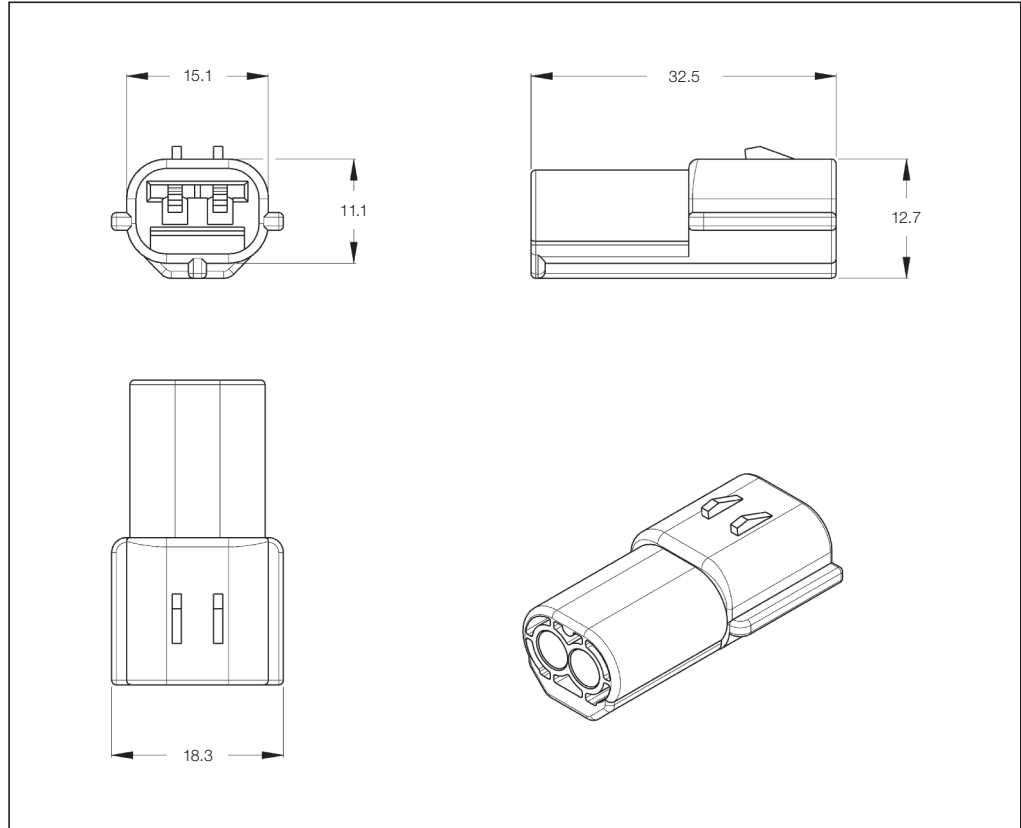
108-5262

Application Specification:

114-5082

Instruction Sheet:

412-5325



2 Position Pin (Cap) Housing

Keying Options	Housing Color	Part Numbers			
		Pin (Cap) Housing	Package Quantity	Pin Lock Plate	Mating Socket (Plug) Housing
–	Black	174354-2	100	174355-7 (Yellow) 1-174355-1 (White)	174352-2

3 Position Pin (Cap) Housing

Technical Features

No. of Positions:

3 Positions

Housing Material:

PBT

Wire Size Range:

0.20–1.25 mm²
(24–16 AWG)

Product Specification:

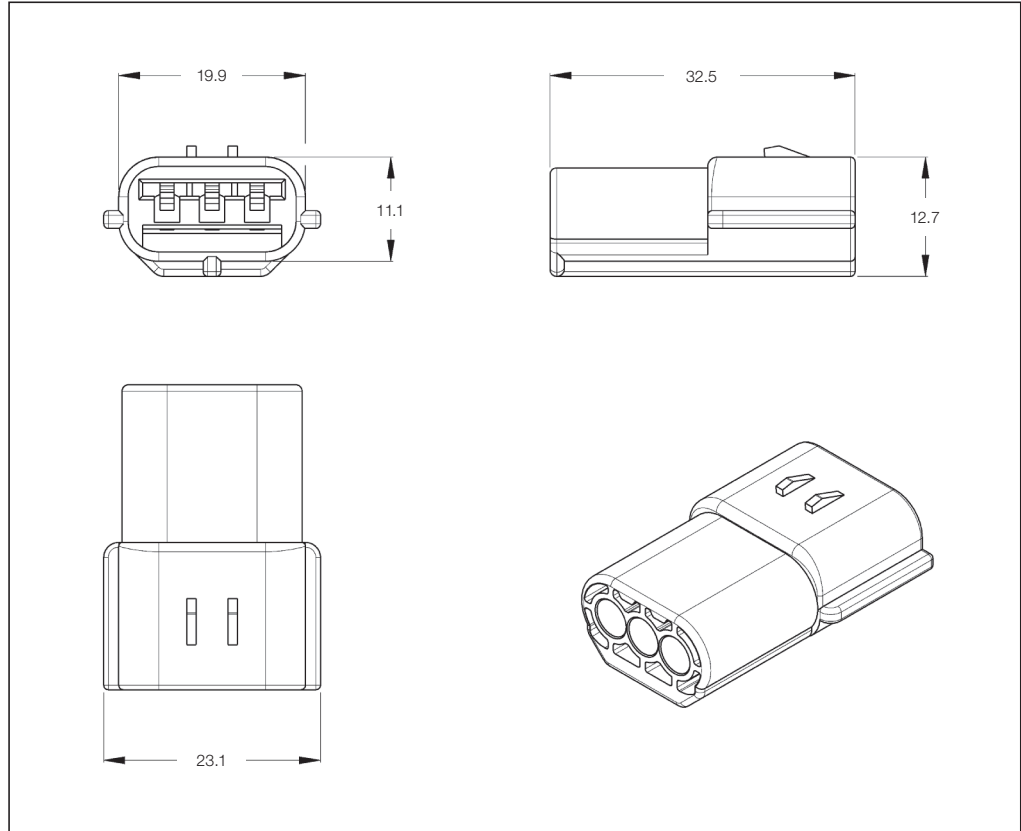
108-5262

Application Specification:

114-5082

Instruction Sheet:

412-5325



3 Position Pin (Cap) Housing

Keying Options	Housing Color	Part Numbers			
		Pin (Cap) Housing	Package Quantity	Pin Lock Plate	Mating Socket (Plug) Housing
–	Black	174359-2	100	174360-7 (Yellow) 1-174360-1 (White)	174357-2

4 Position Pin (Cap) Housing

Technical Features

No. of Positions:

4 Positions

Housing Material:

PBT

Wire Size Range:

0.20–1.25 mm²
(24–16 AWG)

Product Specification:

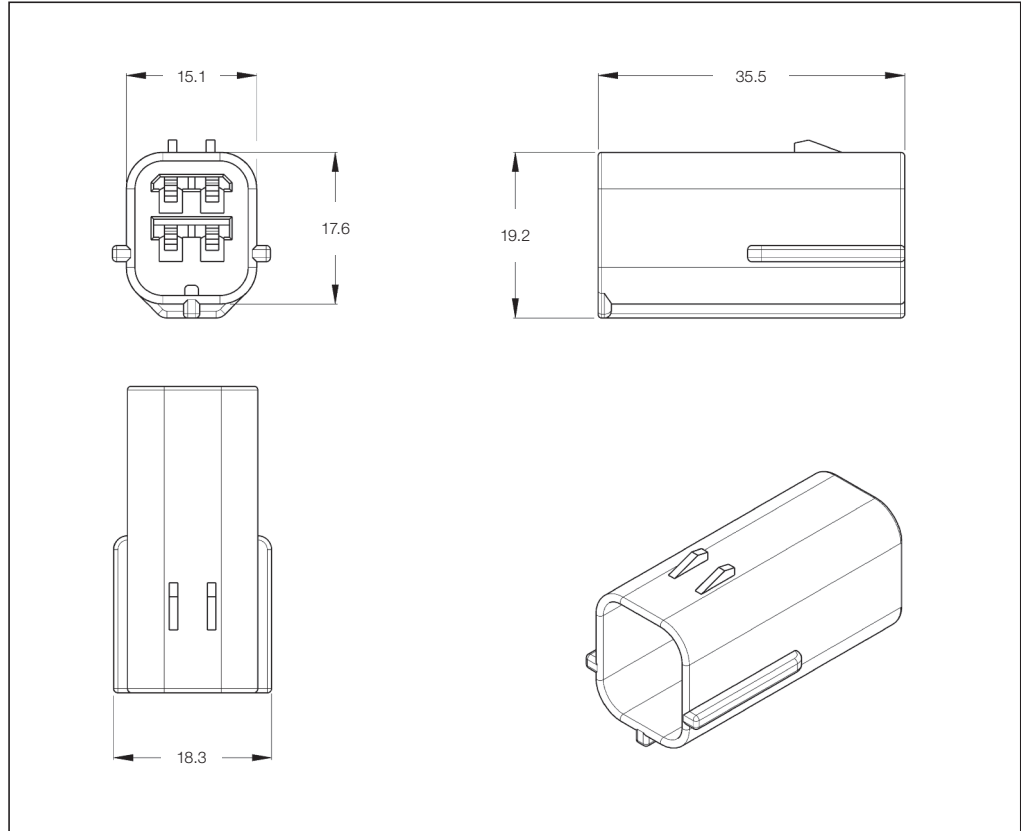
108-5262

Application Specification:

114-5082

Instruction Sheet:

412-5325



4 Position Pin (Cap) Housing

Keying Options	Housing Color	Part Numbers			
		Pin (Cap) Housing	Package Quantity	Pin Lock Plate	Mating Socket (Plug) Housing
–	Black	174259-2	100	174260-7 (Yellow) 1-174260-1 (White)	174257-2

6 Position Pin (Cap) Housing

Technical Features

No. of Positions:

6 Positions

Housing Material:

PBT

Wire Size Range:

0.20–1.25 mm²
(24–16 AWG)

Product Specification:

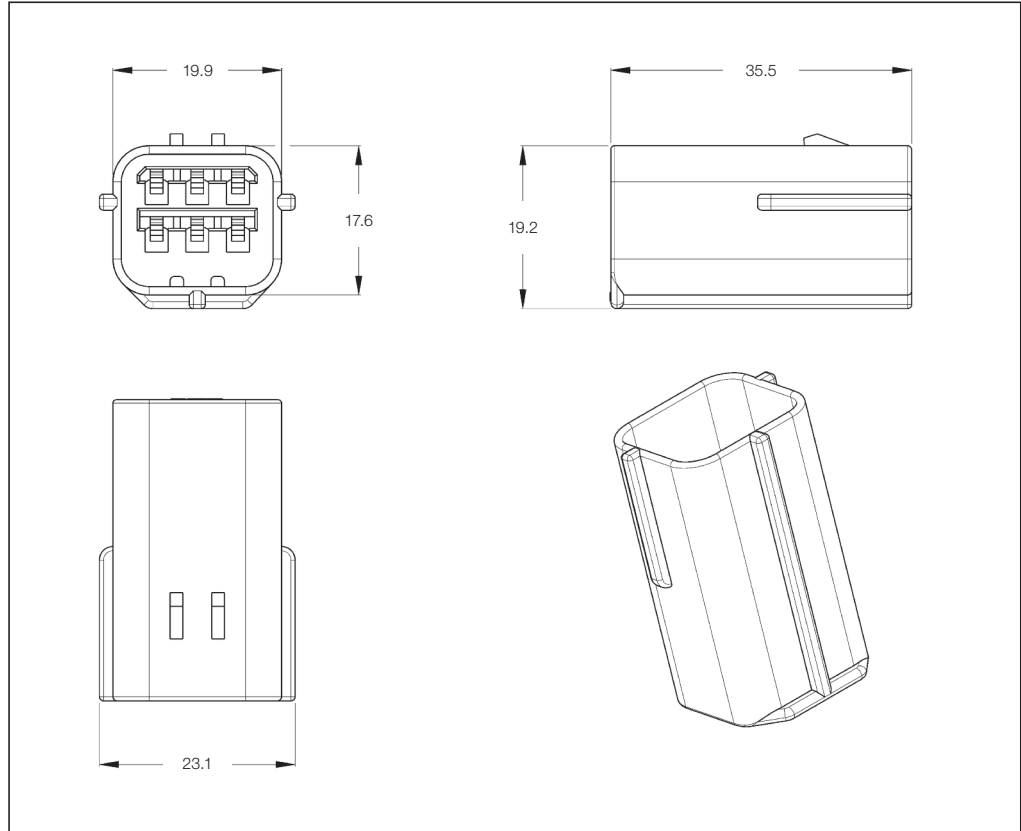
108-5262

Application Specification:

114-5082

Instruction Sheet:

412-5325



6 Position Pin (Cap) Housing

Keying Options	Housing Color	Part Numbers			
		Pin (Cap) Housing	Package Quantity	Pin Lock Plate	Mating Socket (Plug) Housing
–	Black	174264-2	100	174265-7 (Yellow) 1-174265-1 (White)	174262-2

8 Position Pin (Cap) Housing

Technical Features

No. of Positions:

8 Positions

Housing Material:

PBT

Wire Size Range:

0.20–1.25 mm²
(24–16 AWG)

Product Specification:

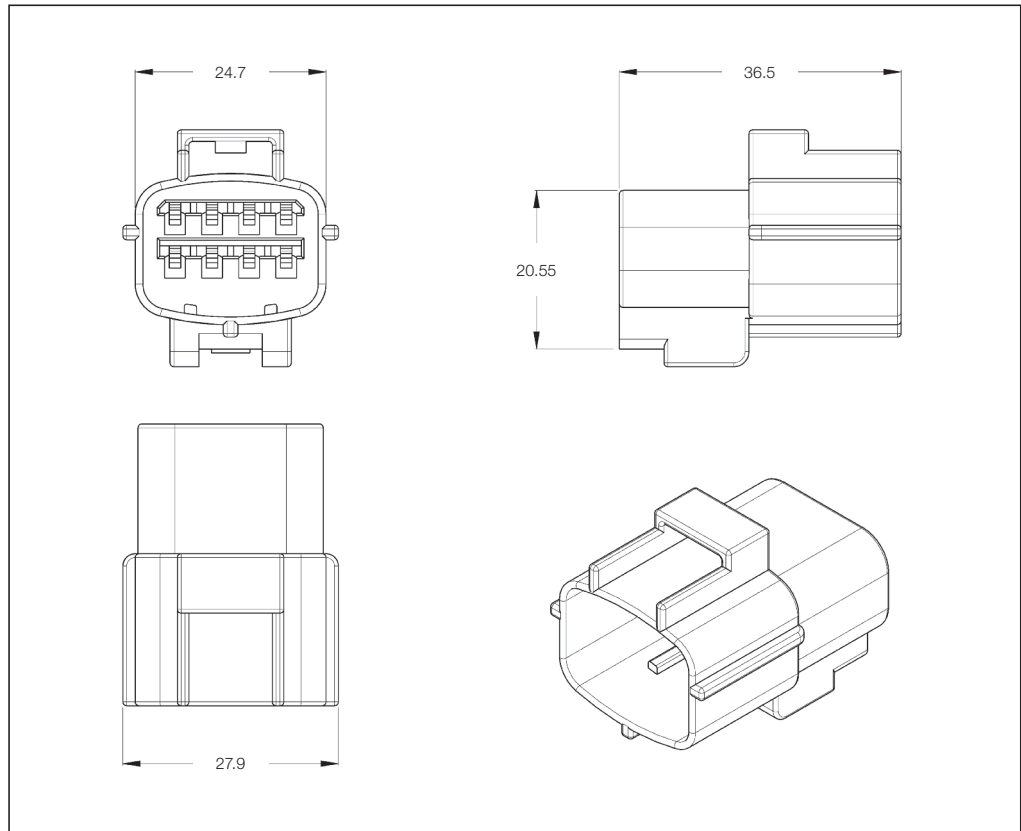
108-5262

Application Specification:

114-5082

Instruction Sheet:

412-5325



8 Position Pin (Cap) Housing

Keying Options	Housing Color	Part Numbers			
		Pin (Cap) Housing	Package Quantity	Pin Lock Plate	Mating Socket (Plug) Housing
–	Black	174984-2	100	174985-7 (Yellow) 1-174985-1 (White)	174982-2

10 Position Pin (Cap) Housing

Technical Features

No. of Positions:

10 Positions

Housing Material:

PBT

Wire Size Range:

0.20–1.25 mm²
(24–16 AWG)

Product Specification:

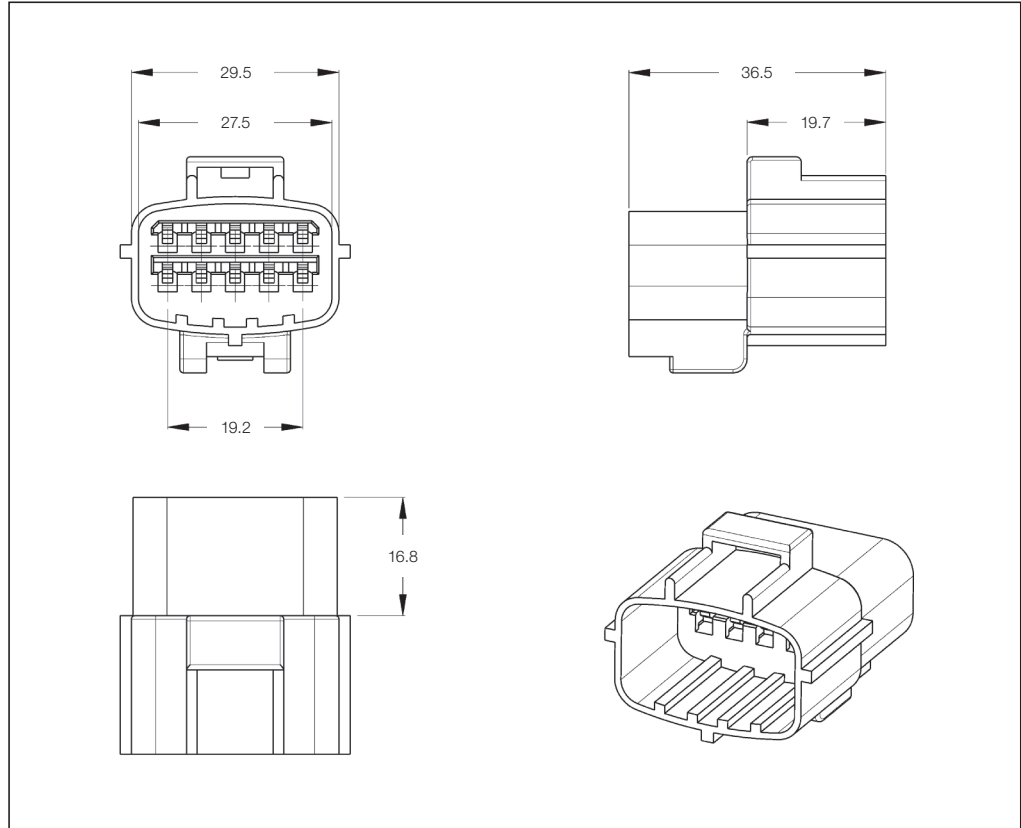
108-5262

Application Specification:

114-5082

Instruction Sheet:

412-5325



10 Position Pin (Cap) Housing

Keying Options	Housing Color	Part Numbers			
		Pin (Cap) Housing	Package Quantity	Pin Lock Plate	Mating Socket (Plug) Housing
–	Black	174657-2	100	174658-7 (Yellow) 1-174658-1 (White)	174655-2

12 Position Pin (Cap) Housing

Technical Features

No. of Positions:

12 Positions

Housing Material:

PBT

Wire Size Range:

0.20–1.25 mm²
(24–16 AWG)

Product Specification:

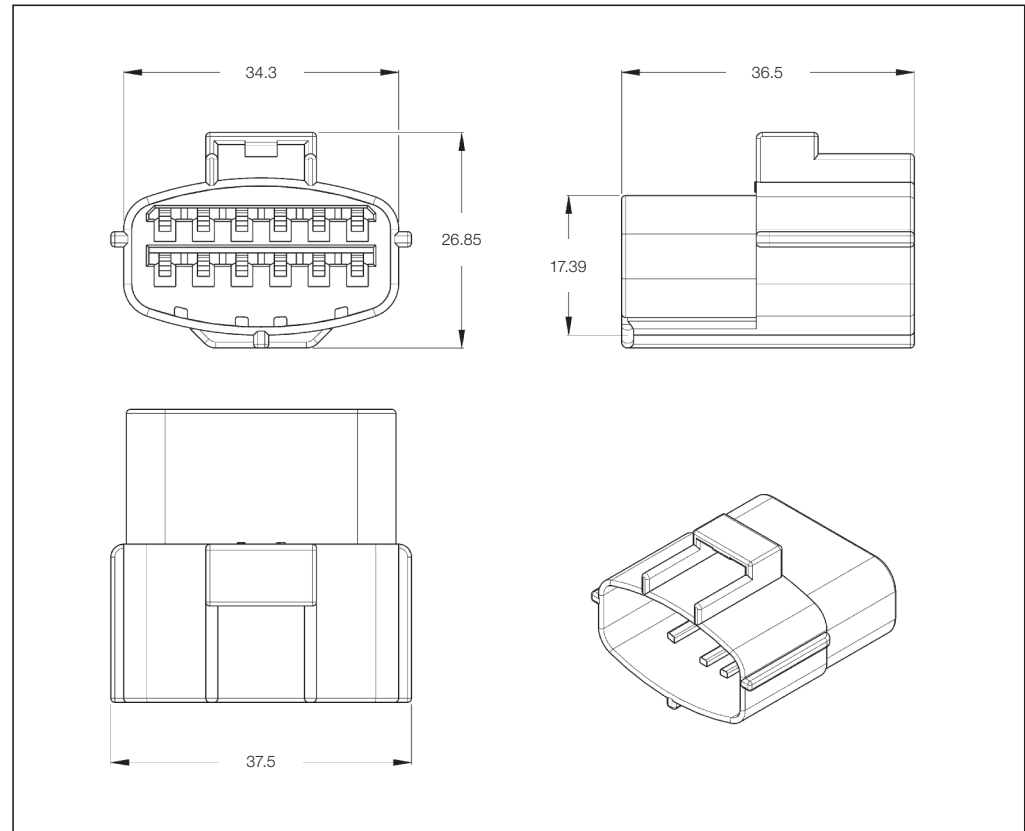
108-5262

Application Specification:

114-5082

Instruction Sheet:

412-5325

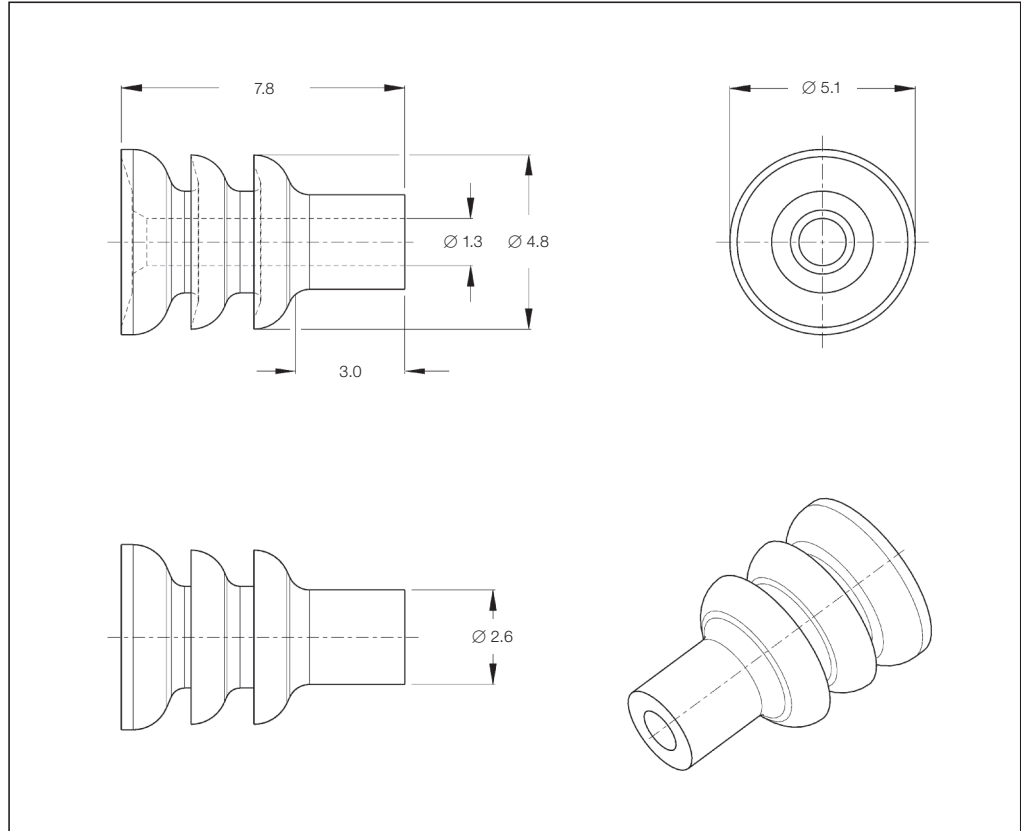


12 Position Pin (Cap) Housing

Keying Options	Housing Color	Part Numbers			
		Pin (Cap) Housing	Package Quantity	Pin Lock Plate	Mating Socket (Plug) Housing
–	Black	174663-2	100	174664-7 (Yellow) 1-174664-1 (White)	174661-2

Single Wire Seals and Cavity Plugs

Single Wire Seals and Cavity Plugs



Single Wire Seals and Cavity Plugs

Wire Size Range	Insulation Diameter	Material and (Color)	Style	Part Number	Use with Contact Part Number
mm ² (AWG)	mm (Inch)				
0.2–0.5 (24–20)	1.4–2.4 (.055–.094)	NBR (Black)	A	172746-1	171631-1 171631-2 173600-1
	1.4–2.1 (.055–.083)		B	178210-1	171630-1 171630-5 171699-1
0.50–1.25 (20–16)	2.0–2.6 (.079–.102)	NBR (Gray)	C	172888-2	171661-1 171661-2 173706-1
	2.0–2.6 (.079–.102)		D	178210-1	171662-1 171662-4 171662-5 173707-1
Cavity Plug	-	NBR (Black)	E	172748-1	-
		NBR (Gray)		172748-2	

Engineering Notes

A large grid area for engineering notes, consisting of a fine grid of small squares. The grid is empty and occupies the majority of the page's vertical space.