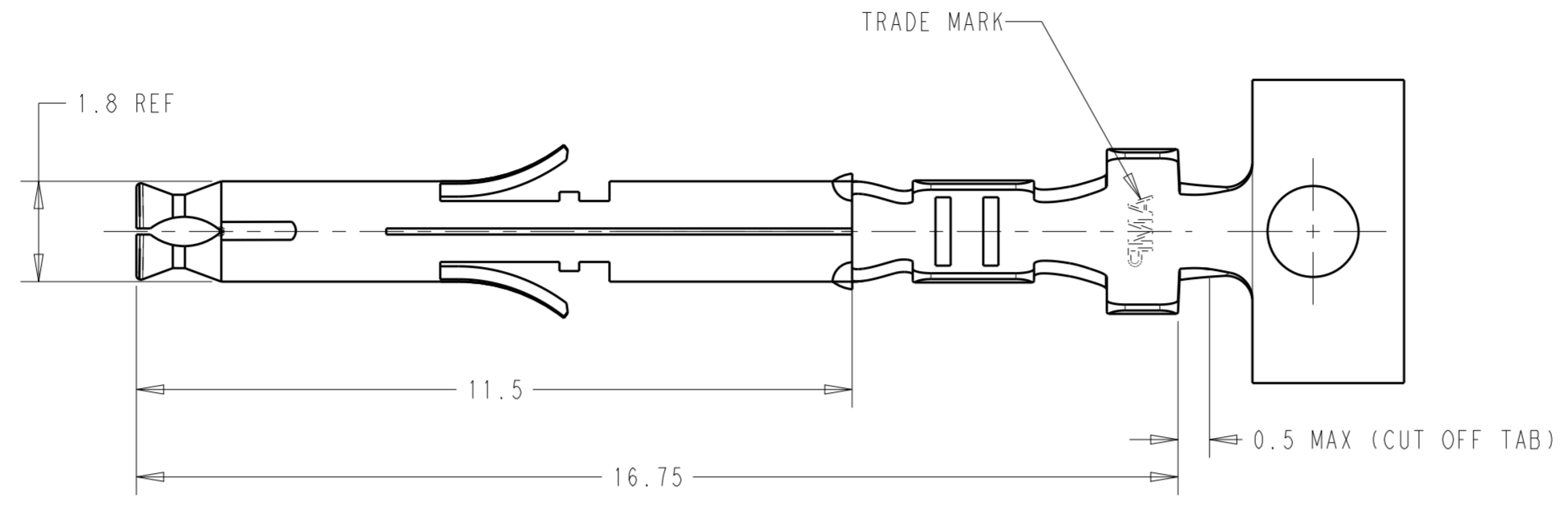
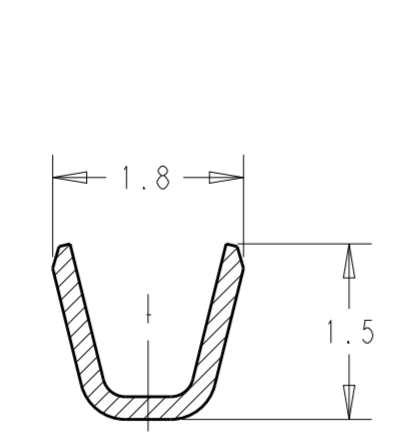
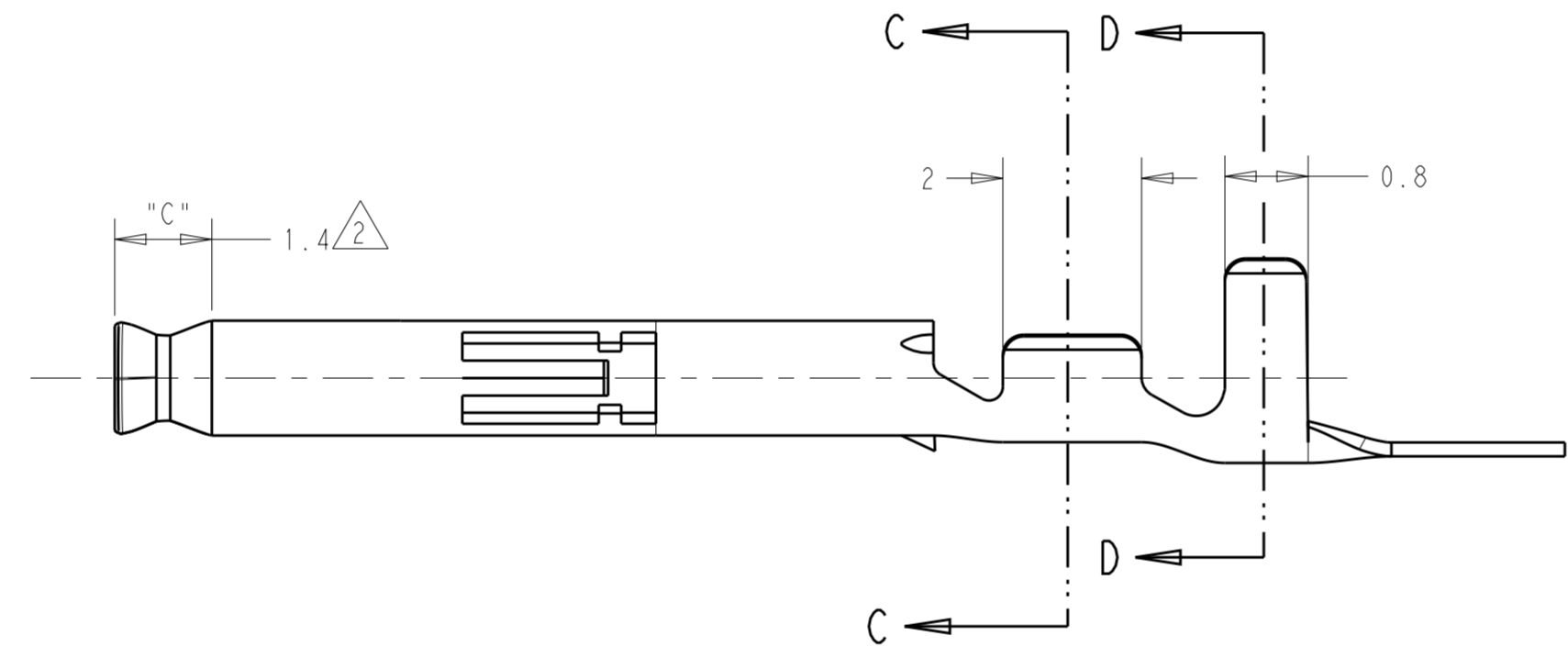
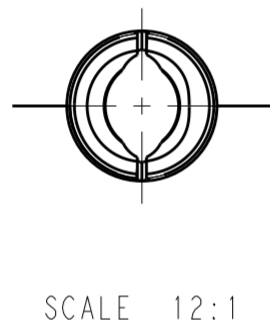


勝特力材料 886-3-5753170  
 勝特力电子(上海) 86-21-34970699  
 勝特力电子(深圳) 86-755-83298787  
 Http://www.100y.com.tw

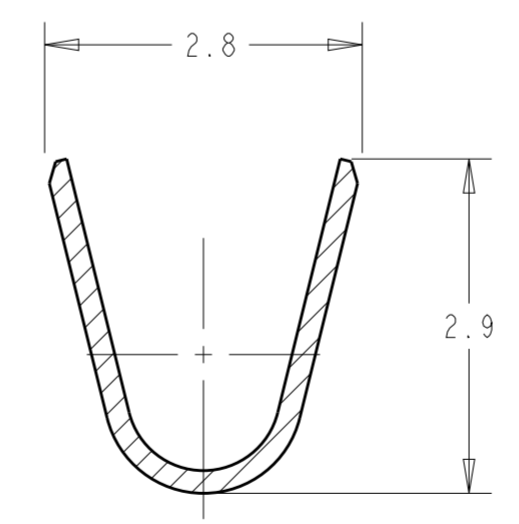
REVISIONS				
P	LTR	DESCRIPTION	DATE	APVD
F2		REVISED PER ECR-20-005023	24APR2020	BDA SW
G		REVISED FOR ECR-20-100490	29SEP2020	PC SW



- 1 APPLICABLE HOUSING: CAP AND PLUG.
- 2 SELECTIVE GOLD PLATED AREA "C" 0.0004mm MIN THICK OVER Ni PLATE ON INSIDE SURFACE.



SECTION C-C  
SCALE 15:1



SECTION D-D  
SCALE 15:1

170359, 170360 170363, 170364	(PRE-TIN PHOZ BRO)	170365-4	170361-4
170359, 170360 170363, 170364	(GOLD PLATE) 2	170365-3	170361-3
170359, 170360 170363, 170364	(PRE-TIN BRASS)	170365-1	170361-1
MATING PART NUMBER	FINISH	LOOSE PIECE PART NUMBER	PART NUMBER

THIS DRAWING IS A CONTROLLED DOCUMENT.		DWN -	<b>STE</b> TE Connectivity	
		CHK -		
		APVD -	NAME	
DIMENSIONS: mm		PRODUCT SPEC		MINI UNIVERSAL MATE-N-LOK
		APPLICATION SPEC		SOCKET CONTACT
TOLERANCES UNLESS OTHERWISE SPECIFIED:		SIZE		CAGE CODE
0 PLC ±0.3		114-5050		DRAWING NO
1 PLC ±0.3		A2100779		RESTRICTED TO
2 PLC ±		G-170361		
3 PLC ±		SCALE 5:1		SHEET 1 OF 1
4 PLC ±		CUSTOMER DRAWING		REV G
ANGLES ±				
FINISH				
MATERIAL SEE TABLE				
SEE TABLE				