

4

3

2

1

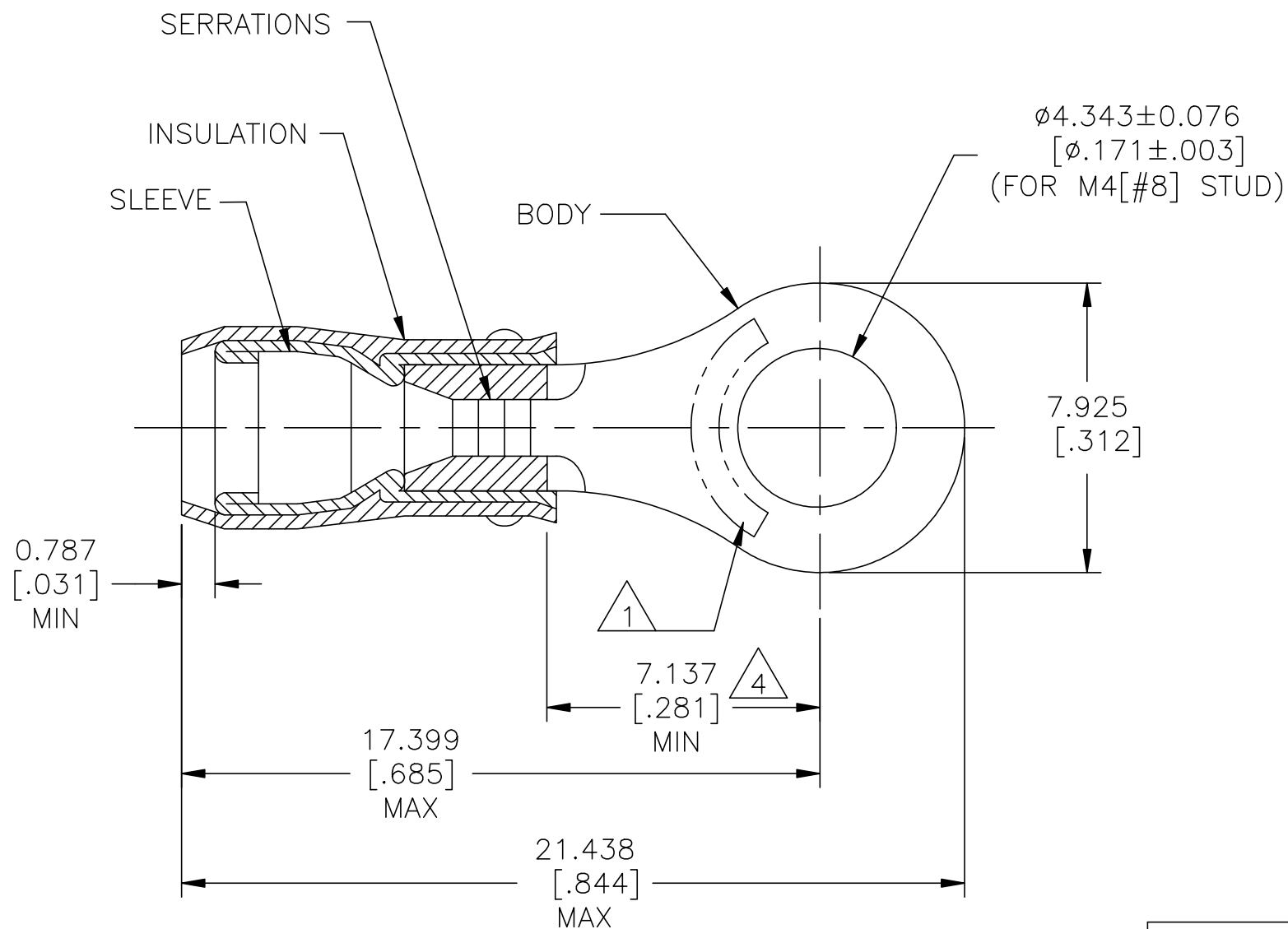
© - TE Connectivity. All Rights Reserved.

REVISIONS

P	LTR	DESCRIPTION	DATE	DWN	APVD
	AB	REVISED PER ECR-23-175984	30MAY2023	BB	DSC

勝特力電材超市-龍山店 886-3-5773766  
 勝特力電材超市-光復店 886-3-5729570  
 勝特力電子(上海) 86-21-34970699  
 勝特力電子(深圳) 86-755-83298787  
<http://www.100y.com.tw>

<b>AMP</b> WIRE RANGE	E13288 Listed	LR7189 Certified
22-16 AWG SOLID OR STRANDED	22-16 AWG STRANDED	22-16 AWG SOLID OR STRANDED



- 1 STAMP AMP 22-18\* APPROX AS SHOWN  
22-16 TERMINALS ARE STAMPED 22-18 IN  
ACCORDANCE WITH MILITARY SPEC SAE AS7928  
COMMERCIAL WIRE RANGE IS 22-16.
- 2 WIRE INSULATION DIA:  $\phi 2.032-3.175[\phi.080-.125]$ .
- 3 BODY MATERIAL THK:  $0.787\pm 0.051[.031\pm.002]$ .
- 4 APPLIES FROM EDGE OF METAL WIRE BARREL TO  
CENTER OF STUD HOLE.
- 5 UL LISTED
- 6 CSA CERTIFIED
- 7 MATERIAL:  
BODY & SLEEVE - COPPER PER ASTM B152  
INSULATION - NYLON
- 8 FINISH:  
BODY & SLEEVE - TIN PLATE  $0.00254[.000100]$   
MIN EXT THK ASTM B545  
INSULATION COLOR - RED

		-	5000	ON TAPE, REEL	1-320551-1
		MS25036-149 CLASS 1	1000	LOOSE PIECE	320551
		MILITARY P/N AND CLASS	QUANTITY	PACKAGE TYPE	PART NO

AMP INCORPORATED CUSTOMER SERVICE SYSTEMS		MAX RECOMMENDED OPERATING TEMPERATURE: 105°C[221°F]
FOR ADDITIONAL PRODUCT INFORMATION OR COPIES OF DRAWINGS AND TECHNICAL DOCUMENTS	PRODUCT INFORMATION CENTER 1-800-522-6752	VOLTAGE RATING: 300 V MAX
FOR APPLICATION TOOLING INFORMATION	TOOLING ASSISTANCE CENTER 1-800-722-1111	CIRCULAR MIL AREA: 0.26-1.65mm <sup>2</sup> [509-3,260] CIR MILS SOLID OR STRANDED
FOR ORDER ENTRY	1-800-526-5142	

THIS DRAWING IS A CONTROLLED DOCUMENT.		DWN DK SCHRUM 9/8/93	TE Connectivity Ltd.	
DIMENSIONS: mm [INCHES]		CHK RE HERSEY 9/8/93		
TOLERANCES UNLESS OTHERWISE SPECIFIED:		APVD ML ELLIS 9/8/93	NAME TERMINAL, RING TONGUE, PIDG™, WIRE SIZE, 26-16 AWG	
0 PLC ± - 1 PLC ± - 2 PLC ± - 3 PLC ± 0.127[.005] 4 PLC ± - ANGLES ± -		PRODUCT SPEC UL 486A-B	DRAWING NO 114-2157	
MATERIAL	FINISH	APPLICATION SPEC 114-2157	SIZE A3	RESTRICTED TO -
		WEIGHT -	CAGE CODE 00779	DRAWING NO 320551
		CUSTOMER DRAWING	SCALE NTS	SHEET 1 of 2
			REV AB	

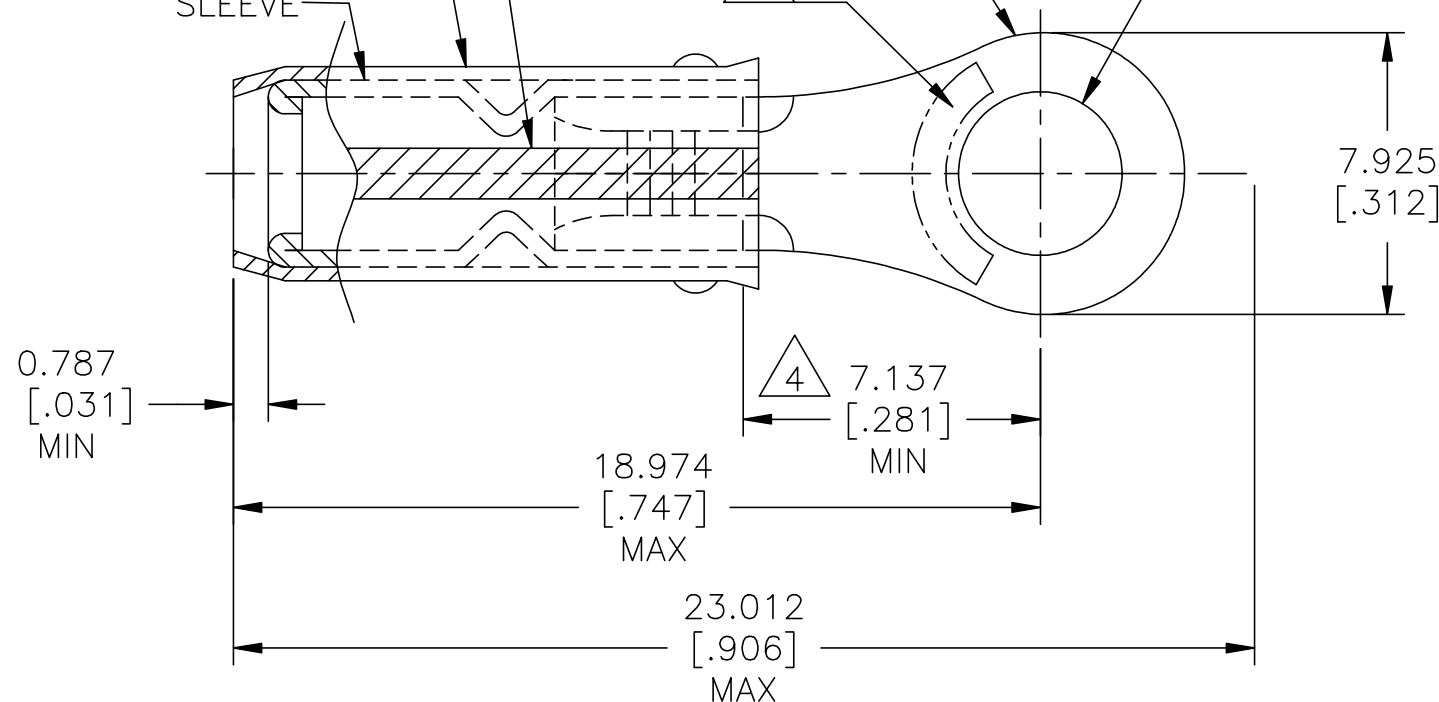
P	LTR	DESCRIPTION	DATE	DWN	APVD
-	-	SEE SHEET 1	-	-	-

3 STRIPES EQUALLY SPACED FOR COLOR CODE: SEE TABLE

INSULATION SLEEVE

BODY

$\phi 4.343 \pm 0.076$   
 $[\phi .171 \pm .003]$   
 (FOR M4[#8] STUD)



<b>AMP</b> WIRE RANGE	LR 7189 Certified
SEE TABLE STRANDED	WIRE SIZE PER TABLE STRANDED

- 1 STAMP AMP APPROX AS SHOWN SEE TABLE BELOW.
- 2 WIRE INSULATION DIA:  $\phi 0.965 - 2.794 [\phi .038 - .110]$  FOR 22 AWG  
 $\phi 1.168 - 2.794 [\phi .046 - .110]$  FOR 20 AWG  
 $\phi 1.422 - 2.794 [\phi .056 - .110]$  FOR 18 AWG.
- 3 BODY MATERIAL THK:  $0.787 \pm 0.051 [.031 \pm .002]$ .
- 4 APPLIES FROM EDGE OF METAL WIRE BARREL TO CENTER OF STUD HOLE.
- 5 CSA CERTIFIED
- 6 MATERIAL:  
 BODY & SLEEVE - COPPER PER ASTM B152  
 INSULATION - NYLON
- 7 FINISH:  
 BODY & SLEEVE - TIN PLATE  $0.00254 [.000100]$   
 MIN EXT THK PER ASTM B545  
 INSULATION COLOR - RED

5	-	WHITE	18*	18	5000	ON TAPE, REEL	1-320551-8
5	M7928/1-32 CLASS 1	WHITE	18*	18	1000	LOOSE PIECE	1-320551-4
5	M7928/1-23 CLASS 1	RED	20*	20	1000	LOOSE PIECE	1-320551-3
5	M7928/1-14 CLASS 1	GREEN	22*	22	1000	LOOSE PIECE	1-320551-2

MILITARY P/N AND CLASS	STRIPE COLOR	1	STAMPING	WIRE SIZE	QUANTITY	PACKAGE TYPE	PART NO
------------------------	--------------	---	----------	-----------	----------	--------------	---------

AMP INCORPORATED  
 CUSTOMER SERVICE SYSTEMS

MAX RECOMMENDED OPERATING TEMPERATURE:  
 105°C [221°F]

FOR ADDITIONAL PRODUCT INFORMATION OR COPIES OF DRAWINGS AND TECHNICAL DOCUMENTS  
 PRODUCT INFORMATION CENTER  
 1-800-522-6752

FOR APPLICATION TOOLING INFORMATION  
 TOOLING ASSISTANCE CENTER  
 1-800-722-1111

FOR ORDER ENTRY  
 1-800-526-5142

VOLTAGE RATING: 300 V MAX

WIRE RANGE:	CIRC MIL AREA:
22	0.38mm <sup>2</sup> [754]
20	0.60mm <sup>2</sup> [1,186]
18	0.96mm <sup>2</sup> [1,900]

STRANDED

THIS DRAWING IS A CONTROLLED DOCUMENT.

DIMENSIONS:	TOLERANCES UNLESS OTHERWISE SPECIFIED:
mm [INCHES]	
	0 PLC ± -
	1 PLC ± -
	2 PLC ± -
	3 PLC ± 0.127 [005]
	4 PLC ± -
	ANGLES ± -

MATERIAL FINISH

DWN 9/8/93

CHK RE HERSEY 9/8/93

APVD ML ELLIS 9/8/93

PRODUCT SPEC

APPLICATION SPEC

114-2157

WEIGHT -

CUSTOMER DRAWING

**TE** TE Connectivity Ltd.

NAME  
 TERMINAL, RING TONGUE, I.R.,  
 PIDG WIRE SIZE, 22, 20 & 18 AWG

SIZE	CAGE CODE	DRAWING NO	RESTRICTED TO
A3	00779	C-320551	-

SCALE NTS SHEET 2 OF 2 REV AB