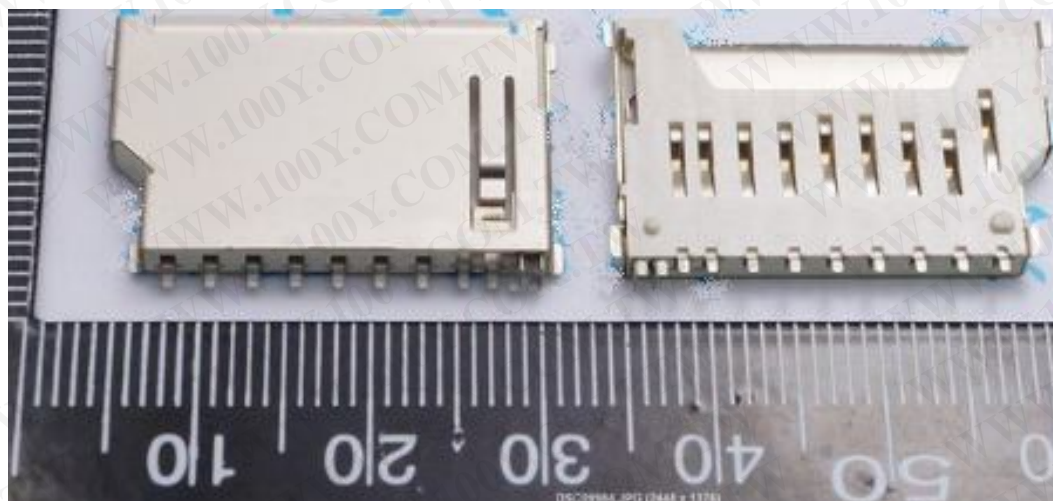
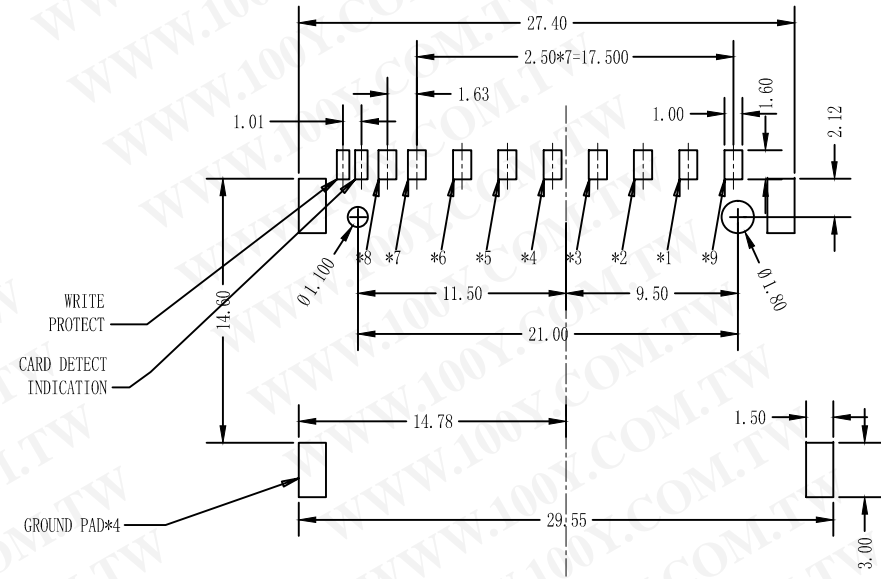
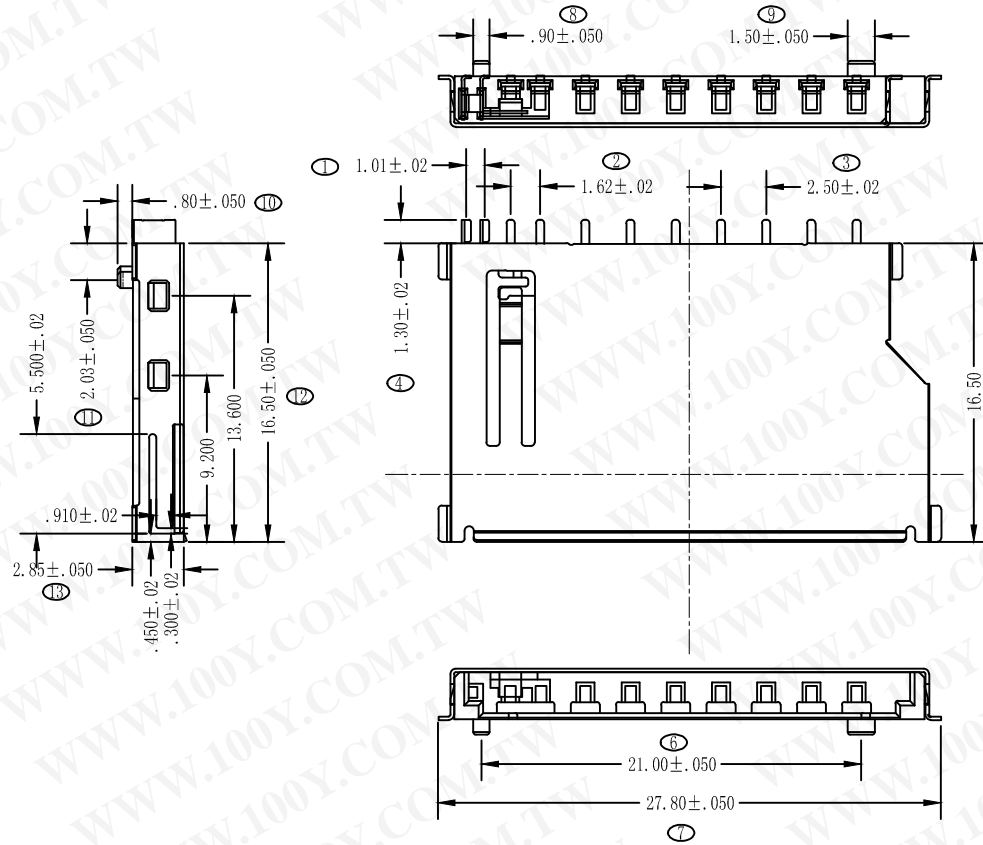


63274	SDC009-A0-0003	SD 短卡插槽 (SDS 600-X0-02)
-------	----------------	----------------------------



勝特力材料 886-3-5753170
勝特力电子(上海) 86-21-34970699
勝特力电子(深圳) 86-755-83298787
[Http://www.100y.com.tw](http://www.100y.com.tw)

REV	DESCRIPTION	DATE	DWN
A	正式发行版	09.12.12	luchengjun



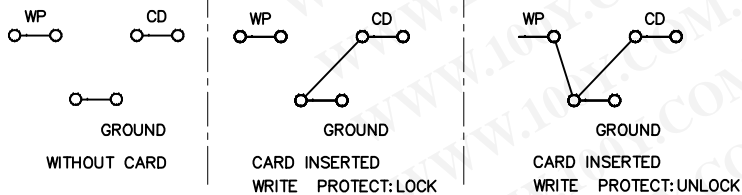
P. C. Boardlayout

- Note: 1. Material;
Housing;HightThermoplastic, UL94V-0.
Color;Black.
Terminal;CopperAlloy.
2. Finish;
Terminal;Underplate;Nioverall
Contacterea;AuoverNiplate
Solderetail;TinoverNiplate
3. CoplanarityMustBeWithin0.12max.

PIN Assignment

NAME	DAT	CMD	GND	VCC	CLK	GND	DAT0	DAT1	DAT2
PIN NO;	SD*MMC *1	SD*MMC *2	SD*MMC *3	SD*MMC *4	SD*MMC *5	SD*MMC *6	SD*MMC *7	SD*MMC *8	SD*MMC *9

CIRCUIT;



WARNING

THESE DRAWINGS AND SPECIFICATIONS ARE THE PROPERTY OF HELIOWAY ENTERPRISES CO.,LTD. AND SHALL NOT BE REPRODUCED COPIED OR USED IN ANY MANNER WITHOUT THE PRIOR WRITTEN CONSENT OF HELIOWAY ENTERPRISES CO.,LTD

FILE NAME		SD 短铜壳标准型	DRAWN	luchengjun09.12.12			
PART NO		SDS600-X0-02	CHECKED				
TITLE		SD Connector 四只脚	APPROVED	luchengjun			
X.± 0.2	X.*± 10'	SCALE	UNIT	REV.			
.X± 0.1	.X*± 5'				1:1	mm	A
.XX± 0.05	.XX*± 2'						